



Unified Communications Microphone & Speaker System

YVC-1000



Quick Start Guide

Guide de référence rapide

クイックスタートガイド

快捷启动指南

빠른 시작을 위한 설명서

Kurzanleitung

Guida rapida

Guía de Inicio Rápido

Guia de Início Rápido

Краткое вводное руководство

Update the firmware and use the latest features.

Please also refer to the user's manual that provides detailed information on how to use this product.

You can download the latest firmware and user's manual from the following website:

<https://uc.yamaha.com/resources/support/>

ファームウェアをアップデートして最新の機能をご利用ください。

詳しい使い方を説明している取扱説明書もご覧ください。

最新のファームウェアと取扱説明書は下記のウェブサイトからダウンロードできます。

<https://sound-solution.yamaha.com/download/>

请更新固件以使用最新功能。

用户手册中登载有详细的使用方法，请一并阅读。

您可从以下网站下载最新的固件及用户手册。

<https://www.yamaha.com/products/zh/communication/support/>

EN

FR

JA

ZH

KO

DE

IT

ES

PT

RU

Contents

| | | | |
|--|----------|--|-----------|
| IMPORTANT SAFETY INSTRUCTIONS | 2 | Setting up for use | 13 |
| Safety Precautions | 3 | Installation | 13 |
| Precautions for Use | 5 | Connecting the microphone and power cables | 14 |
| About Bluetooth® | 5 | Changing the setting | 14 |
| Locations of name plates | 6 | Changing the language of the voice guidance | 14 |
| Introduction | 7 | Connecting to communication equipment | 15 |
| Check the contents | 7 | Connecting to a PC or Mac using the USB | |
| About this manual | 7 | cable | 15 |
| Please read other instruction manuals as well as | | Connecting to a video conference system using | |
| this manual | 8 | audio cables | 15 |
| Using the Latest Features | 8 | Connecting to a smartphone or tablet via | |
| Use of open-source software | 8 | Bluetooth | 16 |
| Controls and Functions | 9 | Specifications | 17 |
| Control Unit (YVC-CTU1000) | 9 | General | 17 |
| Control Unit (YVC-CTU1000): Back | 10 | Audio | 18 |
| Control Unit (YVC-CTU1000): Bottom | 10 | | |
| Microphone (YVC-MIC1000) | 11 | | |
| Microphone (YVC-MIC1000): Side | 11 | | |
| Microphone (YVC-MIC1000): Bottom | 12 | | |

IMPORTANT SAFETY INSTRUCTIONS

CAUTION

**RISK OF ELECTRIC SHOCK
DO NOT OPEN**

CAUTION: TO REDUCE THE RISK OF ELECTRIC SHOCK, DO NOT REMOVE COVER (OR BACK). NO USER-SERVICEABLE PARTS INSIDE. REFER SERVICING TO QUALIFIED SERVICE PERSONNEL.

• Explanation of Graphical Symbols



The lightning flash with arrowhead symbol, within an equilateral triangle, is intended to alert you to the presence of uninsulated "dangerous voltage" within the product's enclosure that may be of sufficient magnitude to constitute a risk of electric shock to persons.



The exclamation point within an equilateral triangle is intended to alert you to the presence of important operating and maintenance (servicing) instructions in the literature accompanying the appliance.

- 1 Read these instructions.
- 2 Keep these instructions.
- 3 Heed all warnings.
- 4 Follow all instructions.
- 5 Do not use this apparatus near water.

- 6 Clean only with dry cloth.
- 7 Do not block any ventilation openings. Install in accordance with the manufacturer's instructions.
- 8 Do not install near any heat sources such as radiators, heat registers, stoves, or other apparatus (including amplifiers) that produce heat.
- 9 Do not defeat the safety purpose of the polarized or grounding-type plug. A polarized plug has two blades with one wider than the other. A grounding type plug has two blades and a third grounding prong. The wide blade or the third prong are provided for your safety. If the provided plug does not fit into your outlet, consult an electrician for replacement of the obsolete outlet.
- 10 Protect the power cord from being walked on or pinched particularly at plugs, convenience receptacles, and the point where they exit from the apparatus.
- 11 Only use attachments/accessories specified by the manufacturer.
- 12 Use only with the cart, stand, tripod, bracket, or table specified by the manufacturer, or sold with the apparatus. When a cart is used, use caution when moving the cart/apparatus combination to avoid injury from tip-over.



- 13 Unplug this apparatus during lightning storms or when unused for long periods of time.
- 14 Refer all servicing to qualified service personnel. Servicing is required when the apparatus has been damaged in any way, such as power-supply cord or plug is damaged, liquid has been spilled or objects have fallen into the apparatus, the apparatus has been exposed to rain or moisture, does not operate normally, or has been dropped.

FCC INFORMATION (U.S.A.)

- 1 **IMPORTANT NOTICE: DO NOT MODIFY THIS UNIT!**
This product, when installed as indicated in the instructions contained in this manual, meets FCC requirements. Modifications not expressly approved by Yamaha may void your authority, granted by the FCC, to use the product.
- 2 **IMPORTANT:** When connecting this product to accessories and/ or another product use only high quality shielded cables. Cable/s supplied with this product **MUST** be used. Follow all installation instructions. Failure to follow instructions could void your FCC authorization to use this product in the USA.
- 3 **NOTE:** This equipment has been tested and found to comply with the limits for a Class A digital device, pursuant to Part 15 of the FCC rules. These limits are designed to provide reasonable protection against harmful interference when the equipment is operated in a commercial environment. This equipment generates, uses and can radiate radio frequency energy and, if not installed and used in accordance with the instruction manual, may cause harmful interference to radio communications. Operation of this equipment in a residential area is likely to cause harmful interference in which case the user will be required to correct the interference at his own expense.

Safety Precautions

- 1 Please ensure to immediately remove the power plug from the outlet in any of the following cases.
Failure to observe this may result in fire or an electric shock.
Please ensure to request the dealer concerned to carry out any necessary repairs or inspections.
 - Any abnormal odor or noise occurs;
 - Smoke is emitted;
 - The product is broken; or
 - The product has been exposed to water.
- 2 Ensure not to damage the power cable. Failure to observe this could result in fire, electric shock, or damage to the product.
 - Ensure not to place any heavy objects on the cable.
 - Ensure not to process the cable in any way.
 - Ensure not use any staples to fix the cable in place.
 - Ensure not to apply excessive force to the cable.
 - Ensure to keep the cable away from anything hot.
- 3 Ensure to only use the included power cable. Failure to observe this could result in fire, electric shock, or damage to the product.
- 4 Ensure to only use the specified power supply voltage. Failure to observe this could result in fire, electric shock, or damage to the product.
- 5 Connect the power plug to an outlet that you can see and reach in thereby ensuring that you can easily remove it if the necessity arises.
- 6 Ensure to fully and securely insert the power plug into the outlet. Being insufficiently inserted could result in an electric shock. It could also lead to dust accumulating on the plug, which could then result in heat or fire.
- 7 Verify that the current capacity of the outlet or a power strip in thereby ensuring that use of the product does not exceed it. Any overheating or degradation of the power strip could result in fire.
- 8 Do not touch the terminals with your fingers or metal objects. Failure to observe this may result in electric shock or damage to the product.
- 9 Ensure the product does not fall or strongly impacted. The internal parts could break, which could then result in electric shock, fire, or damage to the product.
- 10 If the product has been damaged, request repair or inspection services from a dealer.
Continued use of the product may result in fire or electric shock.
- 11 Do not disassemble or alter this product in any way.
Failure to observe this could result in fire, electric shock, or damage to the product.
- 12 Do not obstruct heat dissipation.
 - Do not place a cloth, tablecloth or other such object over the product.
 - Do not place the product on top of a rug, carpet, etc.
 - Do not wedge or squeeze the product into a narrow space that has poor air circulation.
 - Do not block the ventilation holes.
 Allow ventilation space of at least 1 cm on the top, 1 cm on the left and right, and 5 cm on the back of this product.
Failure to observe the above may result in heat being trapped inside the product and cause a fire or damage to the product.
- 13 Do not place the product outdoors or in a location where water may drip on it.
Failure to observe this may result in fire, electric shock or damage to the product.
- 14 Do not install the product anywhere it will be exposed to dust or humidity, oily smoke or steam, or corrosive gas. Failure to observe this could result in fire, electric shock, or damage to the product.
- 15 Ensure that the product is on the level.
Do not place it upside down or in a vertical orientation. Failure to observe this may result in fire, electric shock or damage to the product.
- 16 Avoid installing the product where foreign object may fall onto the product and/or the product may be exposed to liquid dripping or splashing. On the top of the product, do not place:
 - Other components, as they may cause damage and/or discoloration on the surface of the product.
 - Burning objects (i.e. candles), as they may cause fire, damage to the product, and/or personal injury.
 - Containers with liquid in them, as they may fall and liquid may cause electrical shock to the user and/or damage to the product.
- 17 Do not insert foreign objects such as metal or paper in the product. Failure to observe this may result in fire, electric shock or damage to the product.
- 18 If thunder is heard, avoid touching the product.
Failure to observe this may result in electric shock.
- 19 Periodically remove any dirt and dust from the power plug. Failure to observe this could result in fire.
- 20 The product should be used at least 22 cm away from persons using a pacemaker, defibrillator, or similar device.
Failure to observe this may affect the pacemaker, resulting in a serious accident.
- 21 Do not use this product near medical equipment. Radio waves from this product may adversely affect the operation of electro-medical equipment. Do not use this product in locations where use of radio waves is restricted, such as near medical equipment.
- 22 Avoid damaging the USB and microphone cables.
 - Do not place heavy objects on cables.
 - Do not modify cables.
 - Do not affix cables using staples.
 - Do not apply unnecessary force to cables.
 - Do not place cables near heat sources.
 Doing so may result in fire, electric shock or damage to the product.
- 23 Be sure to use the USB and microphone cables that come with the product.
Using other USB or microphone cables may result in fire, electric shock, or damage to the product.
- 24 When this product is not used for a long period of time, be sure to unplug all power plugs.
Failure to observe this may result in fire or electric shock.
- 25 Ensure your hands are dry when connecting or disconnecting the power plug or cables.
Failure to observe this may result in electric shock or damage to the product.
- 26 Ensure not to install the product anywhere unstable or where it will be exposed to vibrations as it could fall over or turn upside down, thus resulting in injury or damage to the product.
- 27 Ensure not to install the product anywhere it will be exposed to direct sunlight or extraordinarily high temperatures (near a heater, etc.). Failure to observe this could result in damage to the product.
- 28 Do not sit/stand on the product or place other objects on top of it.
Failure to observe this may result in damage to the product.

- 29 Turn the volume down to the minimum level before starting playback.
Failure to observe this will cause loud noises to be emitted that may result in hearing impairment.
- 30 Ensure not to use the product anywhere it will be exposed to rapid changes in the ambient temperature. Any rapid change in the ambient temperature could result in condensation on the product, which could then result in damage to the product. Ensure to leave the product for a while until it has dried off with the power turned off if any condensation has occurred.
- 31 Ensure not to connect any cables while the power is turned on. Failure to observe this could result in damage to the product and any connected equipment.
- 32 Ensure to earth any static electricity from your body or clothing before touching the product. Failure to observe this could result in damage to the product.
- 33 Route and connect the cables correctly.
If the cables are pulled or become caught on someone's leg, the product or connected equipment could tip over or fall, thus resulting in injury or damage to the product.
- 34 Before connecting external equipment, thoroughly read the instruction manuals provided with the equipment and make connections according to the instructions.

This unit is not disconnected from the AC power source as long as it is connected to the AC wall outlet, even if this unit itself is turned off. This state is called the standby mode. In this state, this unit is designed to consume a very small quantity of power.

WARNING

TO REDUCE THE RISK OF FIRE OR ELECTRIC SHOCK, DO NOT EXPOSE THIS APPARATUS TO RAIN OR MOISTURE.

Warning: Operation of this equipment in a residential environment could cause radio interference.

This transmitter must not be co-located or operated in conjunction with any other antenna or transmitter.

This device complies with Part 15 of the FCC Rules. Operation is subject to the following conditions:

- 1) this device may not cause harmful interference, and
- 2) this device must accept any interference received including interference that may cause undesired operation.

This device contains licence-exempt transmitter(s)/receiver(s) that comply with Innovation, Science and Economic Development Canada's licence-exempt RSS(s). Operation is subject to the following two conditions:

- 1. This device may not cause interference.
- 2. This device must accept any interference, including interference that may cause undesired operation of the device.

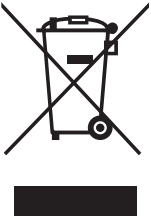
This equipment complies with FCC radiation exposure limits set forth for an uncontrolled environment and meets the FCC radio frequency (RF) Exposure Guidelines. This equipment should be installed and operated keeping the radiator at least 20 cm or more away from person's body.

This equipment complies with ISED radiation exposure limits set forth for an uncontrolled environment and meets RSS-102 of the ISED radio frequency (RF) Exposure rules. This equipment should be installed and operated keeping the radiator at least 20 cm or more away from person's body.

Precautions for Use

- This product is intended for use in general offices and is not designed for use in any fields requiring a high degree of reliability in the handling of human lives or valuable assets.
- Please note that Yamaha cannot assume any responsibility for any damage resulting from improper use or configuration of the product.
- Depending on the usage environment, this product may generate noise in a telephone, radio, television etc. If this occurs, change the location where it is installed or its orientation.
- If you transfer this product to a third party, please pass this manual and accessories along with it.
- Ensure to follow the instructions of your local government when disposing of the product.
- Do not connect any equipment that generates any noise on the same power line as the product.

Information for users on collection and disposal of old equipment:



This symbol on the products, packaging, and/or accompanying documents means that used electrical and electronic products should not be mixed with general household waste.

For proper treatment, recovery and recycling of old products, please take them to applicable collection points, in accordance with your national legislation.

By disposing of these products correctly, you will help to save valuable resources and prevent any potential negative effects on human health and the environment which could otherwise arise from inappropriate waste handling.

For more information about collection and recycling of old products, please contact your local municipality, your waste disposal service or the point of sale where you purchased the items.

For business users in the European Union:

If you wish to discard electrical and electronic equipment, please contact your dealer or supplier for further information.

Information on Disposal in other Countries outside the European Union:

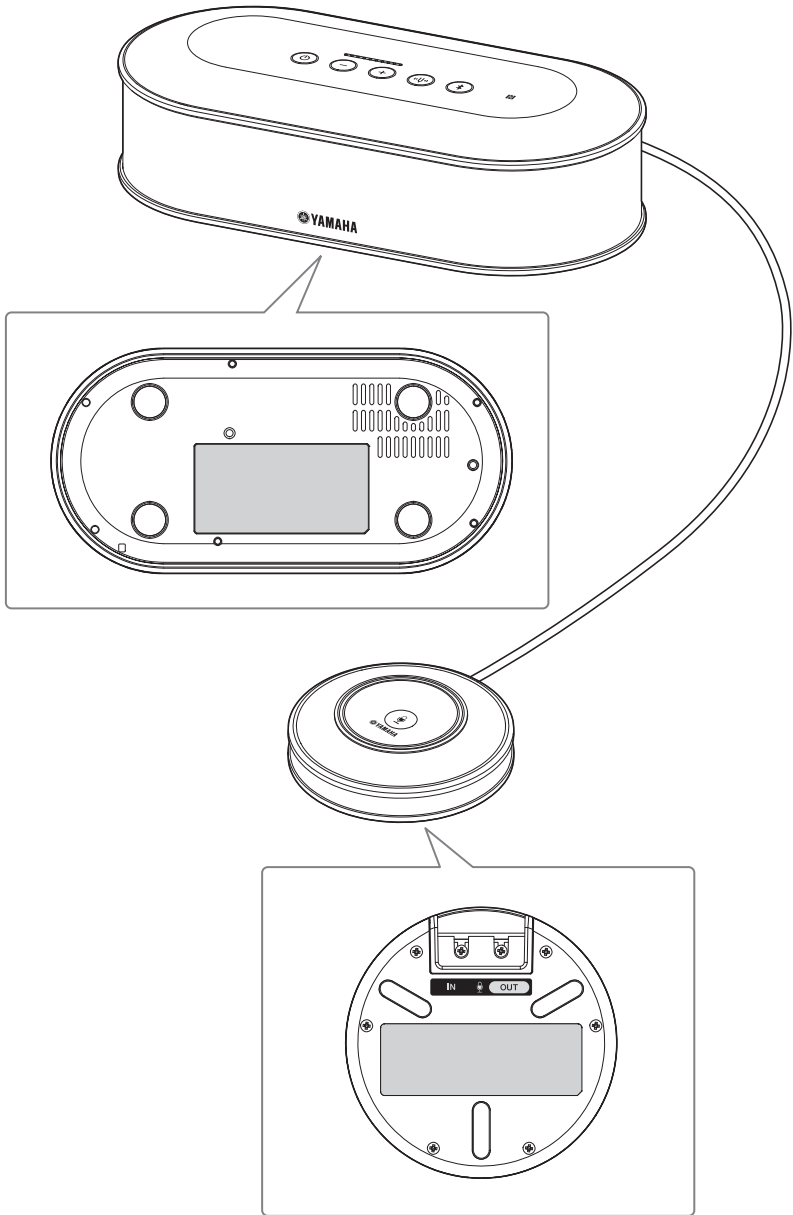
This symbol is only valid in the European Union. If you wish to discard these items, please contact your local authorities or dealer and ask for the correct method of disposal.

About Bluetooth®

- Bluetooth is a technology for wireless communication employing the 2.4 GHz frequency band, a band which can be used without a license.
- The 2.4 GHz band used by Bluetooth compatible devices is a radio band shared by many types of equipment. While Bluetooth compatible devices use a technology minimizing the influence of other components using the same radio band, such influence may reduce the speed or distance of communications and in some cases interrupt communications.
- The speed of signal transfer and the distance at which communication is possible differs according to the distance between the communicating devices, the presence of obstacles, radio wave conditions and the type of equipment.
- Yamaha does not guarantee all wireless connections between this product and devices compatible with Bluetooth function.

Locations of name plates

The name plates are placed on the bottom of the Control Unit and the microphone.



Introduction

Thank you for purchasing a Yamaha YVC-1000. The YVC-1000 is a unified communications microphone and speaker system that serves as an audio terminal when connected to communication equipment, such as a PC or a Mac, a smartphone or tablet, and a video conference system.

Please thoroughly read this manual before installing and connecting the product.

Keep this manual in a safe place for future reference.

- No part of this manual may be copied or used in any form without permission of Yamaha.
- The contents of this manual apply to the latest specifications as of the publishing date. To obtain the latest manual, access the following website then download the manual file.
<https://uc.yamaha.com/resources/support/>
- Yamaha is not liable for any loss or damage to data resulting from use of the product. Please note that the warranty covers repair of the product only.

Check the contents

- Control Unit (YVC-CTU1000) x 1
- Microphone (YVC-MIC1000) x 1
- Power cable (3 m) x 1
- USB cable (5 m) x 1
- Microphone cable (5 m) x 1
- Quick Start Guide (this manual) x 1

About this manual

■ About abbreviations

In this manual, the product names are described as follows.

- Yamaha YVC-1000: the product
- Microsoft® Windows®: Windows
- macOS®: macOS

■ About trademarks

- Microsoft and Windows are registered trademarks of Microsoft Corporation in the United States and other countries.
- Mac and macOS are registered trademarks of Apple Inc.
- Android™ is a trademark or registered trademark of Google Inc.
- Bluetooth® is a registered trademark of the Bluetooth SIG and is used by Yamaha in accordance with a license agreement.
- NFC logo (N-Mark) is a trademark or registered trademark of NFC Forum, Inc.

Please read other instruction manuals as well as this manual

This manual contains fundamental information only.

For detailed information on how to use the product, please read the following:

User's manual: Contains information about utilizing the product, including detailed settings and useful features.

Please download the latest user's manual from the download page of our website.

To configure the settings of communication equipment, refer to the instruction manuals provided with the equipment.

Using the Latest Features

You can download the firmware (program of the product) from the download page of our website to use the latest features.

■ Download page

<https://uc.yamaha.com/resources/support/>

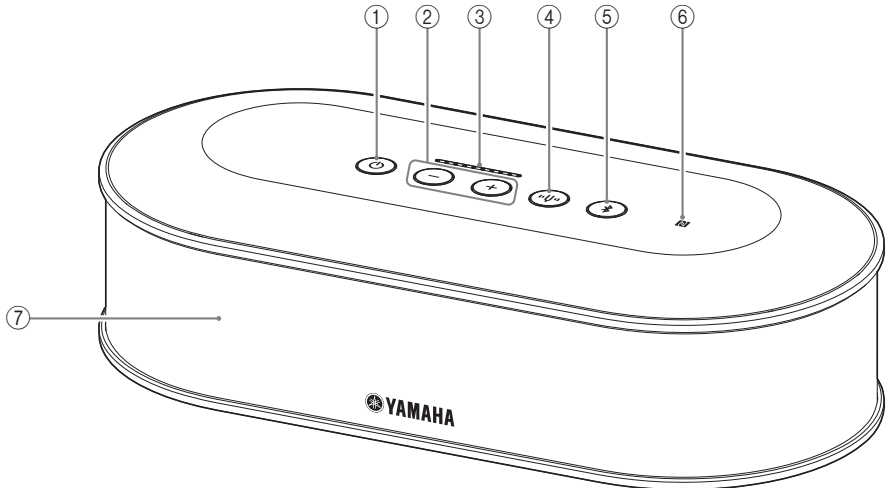
Use of open-source software

This product uses open-source software.

The contents of the license are included in the user's manual.

Controls and Functions

Control Unit (YVC-CTU1000)



① Power button/indicator

Press to turn the product on. Press and hold the power button for two or more seconds to enter standby mode. It lights up green when the product is turned on and lights up red in standby mode.

② Volume +/- button/indicator

Press to adjust the speaker volume. Hold down the appropriate button for 0.5 or more seconds to continuously increase or decrease the volume. Press both the + and - buttons simultaneously for two or more seconds to switch the output device between the built-in and external speakers.

③ Volume level indicator

It normally indicates the input level of an incoming voice. It indicates settings when adjusting the speaker volume or when selecting an output speaker.

④ Tuning fork button/indicator

It lights up or flashes orange if there is a problem. If a problem is indicated, press the tuning fork button to activate the voice guidance about the detected problem.

When it is pressed and held for two or more seconds, the product automatically measures acoustic conditions and tunes the audio settings to an optimal condition (automatic audio tuning).

⑤ Bluetooth button/indicator

Press to pair or connect with a Bluetooth compatible smartphone or tablet. If this button is pressed while being connected to a Bluetooth device, Bluetooth will be disconnected.

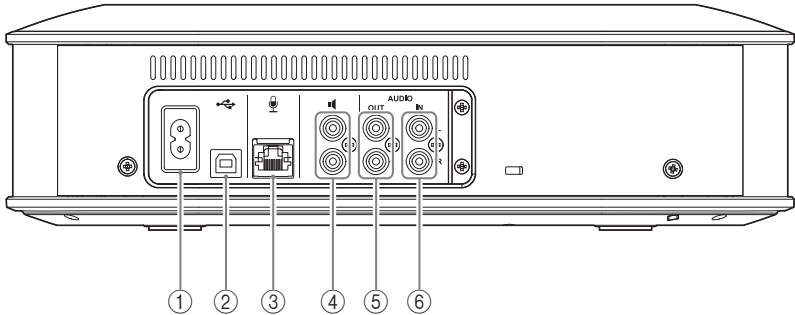
⑥ NFC logo (N-Mark)

Placing an NFC (Near Field Communication)-equipped Bluetooth compatible smartphone or tablet over the N-Mark allows you to pair or connect it with the product, or to disconnect it.

⑦ Built-in speaker

Outputs an incoming voice.

Control Unit (YVC-CTU1000): Back



① Power terminal

Used to connect the supplied power cable.

② USB port

Used to connect the product to a PC or Mac using the supplied USB cable.

③ Microphone terminal

Used to connect the supplied microphone using the microphone cable.

④ External speaker terminals

Used to connect the speakers with a built-in amplifier.

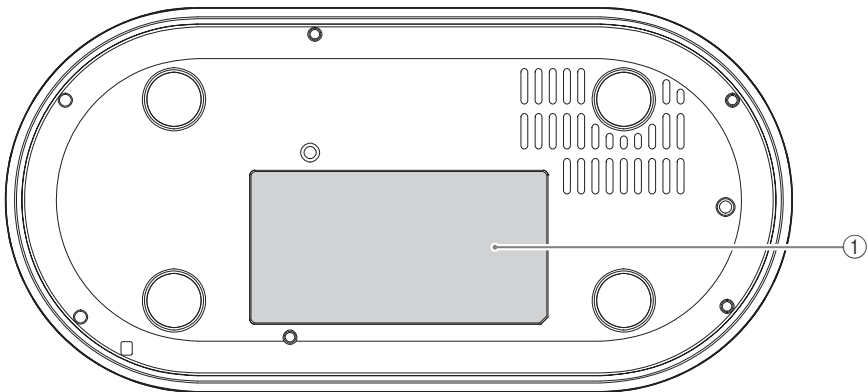
⑤ Audio output terminals (AUDIO OUT)

Used to connect to the audio input terminals of a video conference system.

⑥ Audio input terminals (AUDIO IN)

Used to connect to the audio output terminals of a video conference system.

Control Unit (YVC-CTU1000): Bottom



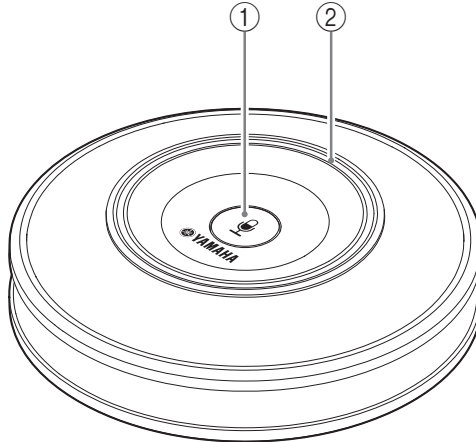
① Name plate

Provides the following information.

Model No.: Model number of the product

SERIAL LABEL: Serial number of the product

Microphone (YVC-MIC1000)



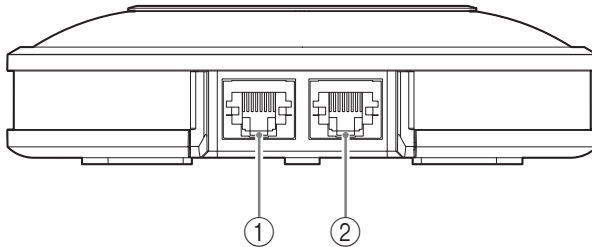
① Microphone mute button

Press to temporarily turn off (mute) the microphone. To cancel the mute function, press it again.

② Microphone status indicator

Lights up green when the microphone is active. Flashes red when the microphone is set to mute.

Microphone (YVC-MIC1000): Side



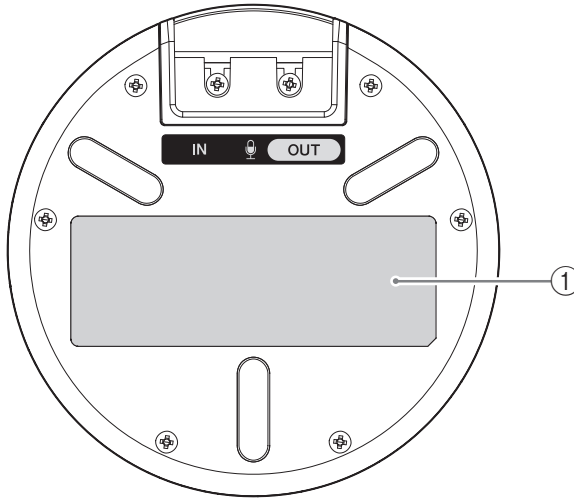
① Input terminal (IN)

Connects the optional microphone (YVC-MIC1000EX) using the microphone cable.

② Output terminal (OUT)

Connects the Control Unit using the microphone cable.

Microphone (YVC-MIC1000): Bottom



① Name plate

Provides the following information.

Model No.: Model number of the product

SERIAL LABEL: Serial number of the product

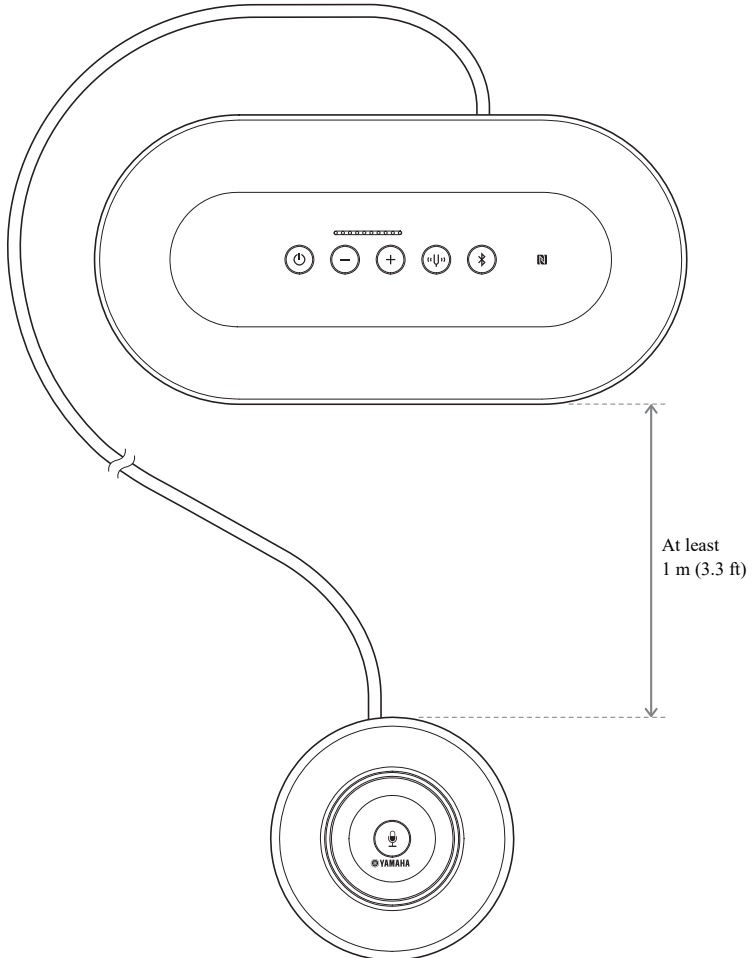
Setting up for use

Installation

Install the product in a location where it will be used.

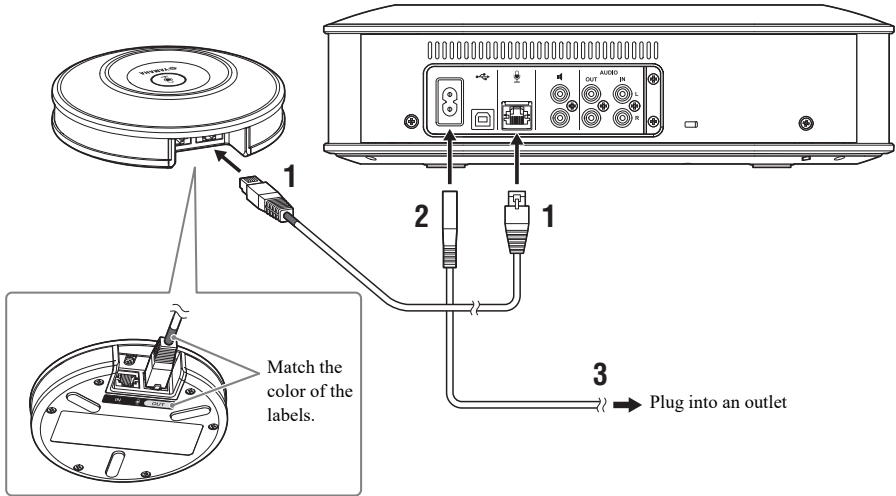
Notes on installation

- Place the microphone at least 1 m (3.3 ft) away from the Control Unit.
- Keep the microphone away from any noise sources.



Connecting the microphone and power cables

Connect the microphone and power cables supplied with the product.



Notes

- When connecting the microphone cable, be sure to match the color of the labels on the microphone cable and of the microphone output terminal (OUT).
- Be sure to fully insert the power cable into the power terminal of the Control Unit and into the outlet.

Tip

A total of five microphones, including the supplied microphone and optional microphones (YVC-MIC1000EX), can be connected to the product. (For details, refer to the user's manual.)

Changing the setting

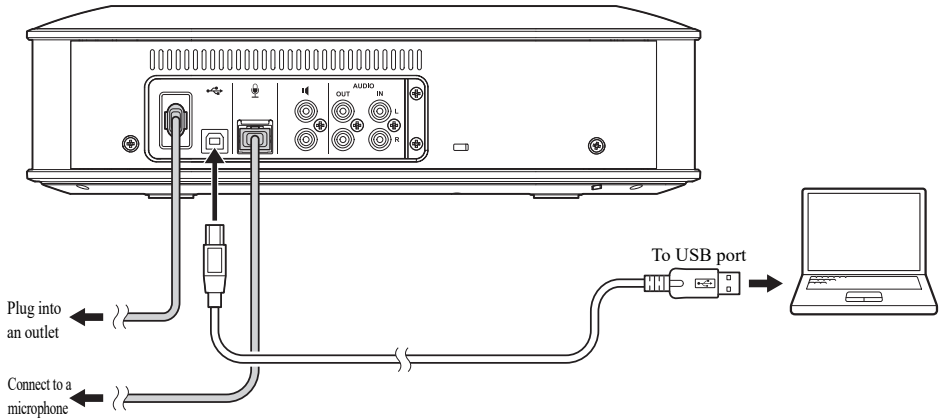
Changing the language of the voice guidance

While pressing the tuning fork button (Ⓜ), press the volume + button (⊕) repeatedly. The language changes every time you press the volume + button (⊕).

For detailed instructions, refer to the user's manual.

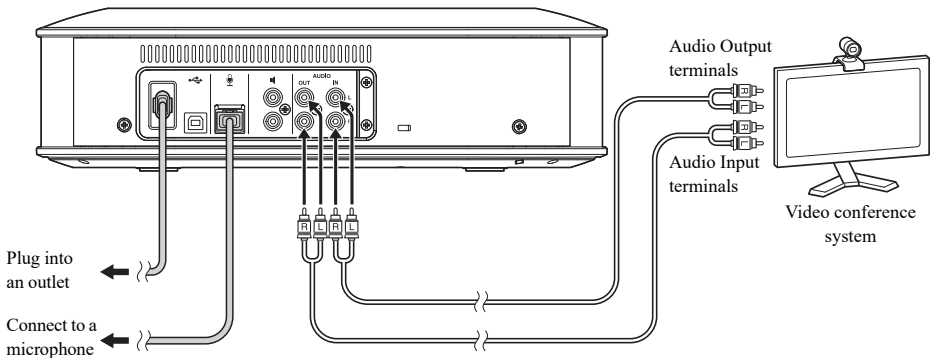
Connecting to communication equipment

Connecting to a PC or Mac using the USB cable



After connecting the product, turn the product on and confirm that it is recognized correctly by the PC or Mac. For detailed instructions, refer to the user's manual.

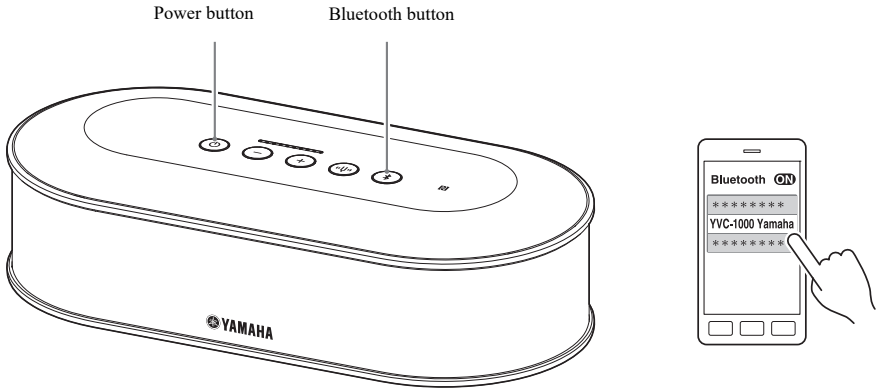
Connecting to a video conference system using audio cables



After connecting the product, change the settings of the video conference system so that the product will be used as a microphone and speaker.

For detailed instructions, refer to the user's manual.

Connecting to a smartphone or tablet via Bluetooth



■Pairing

- 1 Press the power button to turn the product on.
- 2 Press the Bluetooth button.
The Bluetooth button blinks blue.
- 3 Press and hold the Bluetooth button for two or more seconds.
The Bluetooth button blinks blue quickly to indicate that pairing can be performed.
- 4 Perform the pairing procedure using the smartphone or tablet.

■Connecting to a paired smartphone or tablet via Bluetooth

- 1 Press the power button to turn the product on.
- 2 Press the Bluetooth button.
The Bluetooth button blinks blue to indicate that the product can be connected via Bluetooth.
- 3 Perform the Bluetooth-connection procedure using the smartphone or tablet.
When the connection is established, the Bluetooth button lights up blue.

For detailed instructions, refer to the user's manual.

Specifications

General

| | |
|---------------------------------|---|
| Interface: | Control Unit: USB 2.0 High Speed, Bluetooth, NFC (Near Field Communication), Audio Input terminals (stereo RCA pin), Audio Output terminals (stereo RCA pin), External speaker terminal (RCA pin) x 2, Power terminal, Microphone terminal Microphone: Input and output terminals |
| Power consumption (max): | 20 W (one microphone connected), 35 W (five microphones connected) |
| Operating environment: | Temperature: 0 to 40°C (32 to 104°F) Humidity: 20 to 85% (no condensation) |
| Storage environment: | Temperature: -20 to +50°C (-4 to 122°F) Humidity: 10 to 90% (no condensation) |
| Dimensions: | Control Unit (W x H x D): 332 x 95 x 162 mm (13.1 x 3.74 x 6.38 in) Microphone (W x H x D): 136 x 36 x 136 mm (5.35 x 1.42 x 5.35 in) |
| Weight: | Control Unit: 1.8 kg (4.0 lbs) Microphone: 0.4 kg (0.9 lbs) |
| Power source: | US and Canada models: AC 120 V (60 Hz) Japan model: AC 100 V (50/60Hz) China model: AC 220 V (50 Hz) Korea model: AC 110/220 V (60 Hz) UK, Europe and Russia models: AC 220-240 V (50 Hz) |
| PC/Mac environment: | OS: Windows (*1), macOS (*1) USB: USB 2.0 or later |
| Bluetooth: | Bluetooth specification version: 2.1 + EDR Supported profiles: HFP (1.6), A2DP Supported Codec: SBC, mSBC, CVSD Wireless output: Class 2 Maximum communication distance: 10 m Radio frequency (Operational frequency): 2,402 MHz to 2,480 MHz Maximum output power (EIRP): 4.0 dBm (2.5 mW) |
| NFC: | Compatible devices: NFC-compatible Android devices |
| Voice guidance: | English, Japanese, Chinese, Korean, French, Spanish, German |
| Accessories: | Power cable (3 m), USB cable (5 m), Microphone cable (5 m), Quick Start Guide |
| Others: | Firmware update (transfer from PC through USB) |

(*1) For the supported versions, refer to the following website:
<https://uc.yamaha.com/>

Audio

Microphone units: Unidirectional x 3

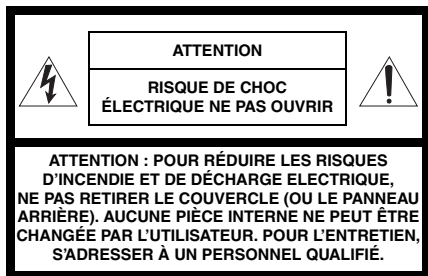
Speaker unit: Full-range x 1

Signal processing: Adaptive echo canceller, Noise reduction, Automatic tracking, Automatic gain control, Automatic room EQ, Dereverberation, Automatic audio tuning

Table des matières

| | | | |
|---|----|---|----|
| PRÉCAUTIONS CONCERNANT LA SÉCURITÉ | 2 | Configuration d'utilisation | 13 |
| Consignes de sécurité | 3 | Installation | 13 |
| Précautions d'utilisation | 5 | Raccordement du microphone et des câbles d'alimentation | 14 |
| À propos de Bluetooth® | 5 | Configuration | 14 |
| Emplacements des plaques signalétiques | 6 | Modification du langage du guide vocal | 14 |
| Introduction | 7 | Raccordement à un équipement de communication | 15 |
| Vérification du contenu | 7 | Raccordement à un ordinateur ou un Mac à l'aide du câble USB | 15 |
| À propos de ce mode d'emploi | 7 | Raccordement à un système de conférence vidéo via un câble audio | 15 |
| Veillez lire les autres manuels d'instructions en plus de ce mode d'emploi | 8 | Raccordement à un smartphone ou une tablette via Bluetooth | 16 |
| Utilisation des dernières fonctions | 8 | Caractéristiques techniques | 17 |
| Utilisation de logiciels Open Source | 8 | Généralités | 17 |
| Commandes et leurs fonctions | 9 | Son | 18 |
| Unité de commande (YVC-CTU1000) | 9 | | |
| Unité de commande (YVC-CTU1000): vue arrière | 10 | | |
| Unité de commande (YVC-CTU1000): vue de dessous | 10 | | |
| Microphone (YVC-MIC1000) | 11 | | |
| Microphone (YVC-MIC1000): vue latérale | 11 | | |
| Microphone (YVC-MIC1000): vue de dessous | 12 | | |

PRÉCAUTIONS CONCERNANT LA SÉCURITÉ



• Explication des symboles



L'éclair avec une flèche à l'intérieur d'un triangle équilatéral est destiné à attirer l'attention de l'utilisateur sur la présence d'une « tension dangereuse » non isolée à l'intérieur du produit, pouvant être suffisamment élevée pour constituer un risque d'électrocution.



Le point d'exclamation à l'intérieur d'un triangle équilatéral est destiné à attirer l'attention de l'utilisateur sur la présence d'instructions importantes sur l'emploi ou de la maintenance (réparation) de l'appareil dans la documentation fournie.

- 1 Lire ces instructions.
- 2 Conserver ces instructions.
- 3 Tenir compte de tous les avertissements.
- 4 Suivre toutes les instructions.
- 5 Ne pas utiliser cet appareil à proximité de l'eau.

- 6 Nettoyer cet appareil avec un chiffon sec seulement.
- 7 Ne pas recouvrir les ailettes de ventilation. Installer l'appareil selon les instructions du fabricant.
- 8 Ne pas installer près d'une source de chaleur, comme un appareil de chauffage, une résistance électrique, un poêle, ou tout autre appareil (amplificateurs compris) produisant de la chaleur.
- 9 Ne pas désamorcer le système de sécurité d'une fiche polarisée ou d'une fiche avec mise à la terre. Une fiche polarisée est munie de deux lames, dont l'une est plus large que l'autre. Une fiche avec mise à la terre est munie de deux lames et d'une broche de terre. La lame la plus large ou la troisième broche sont reliées à la terre pour des raisons de sécurité. Si la fiche fournie ne s'insère pas dans la prise, s'adresser à un électricien pour faire remplacer la prise obsolète.
- 10 Protéger le cordon d'alimentation de sorte qu'il ne risque pas d'être piétiné ou coincé, surtout au niveau des fiches, des prises et de sa sortie de l'appareil.
- 11 Utiliser seulement les fixations et accessoires spécifiés par le fabricant.
- 12 Utiliser seulement le chariot, socle, trépied, support ou meuble spécifié par le fabricant ou vendu avec l'appareil. Si un chariot est utilisé, faire attention de ne pas se blesser ou de le renverser pendant le transport de l'appareil.



- 13 Débrancher cet appareil pendant les orages électriques, ou s'il ne doit pas être utilisé pendant un certain temps.
- 14 Pour toute inspection s'adresser à un personnel qualifié. Une inspection est nécessaire en cas de dommage, quel qu'il soit, par exemple cordon d'alimentation ou fiche endommagé, liquide répandu ou objet tombé à l'intérieur de l'appareil, exposition de l'appareil à la pluie ou à l'humidité, fonctionnement anormal ou chute de l'appareil.

Consignes de sécurité

- 1 Retirez immédiatement la fiche d'alimentation de la prise dans tous les cas suivants.
Le non-respect de cette consigne pourrait provoquer un incendie ou une décharge électrique. Demandez à votre revendeur d'effectuer les réparations ou les inspections nécessaires.
 - Présence d'une odeur ou d'un bruit inhabituel ;
 - Émission de fumée ;
 - Endommagement de l'appareil ; ou
 - Exposition de l'appareil à l'eau.
- 2 Veillez à ne pas endommager le câble d'alimentation. Le non-respect de cette consigne pourrait provoquer un incendie, une décharge électrique ou endommager le produit.
 - Veillez à ne pas placer d'objet lourd sur le câble.
 - Ne manipulez pas le câble de quelque manière que ce soit.
 - N'utilisez pas d'agrafes pour maintenir le câble en place.
 - N'exercez pas de contrainte excessive sur le câble.
 - Tenez le câble éloigné de toute source de chaleur.
- 3 Veillez à utiliser uniquement le câble d'alimentation fourni. Le non-respect de cette consigne pourrait provoquer un incendie, une décharge électrique ou endommager le produit.
- 4 Veillez à utiliser exclusivement la tension d'alimentation spécifiée. Le non-respect de cette consigne pourrait provoquer un incendie, une décharge électrique ou endommager le produit.
- 5 Branchez la fiche d'alimentation sur une prise que vous pouvez voir et atteindre de manière à pouvoir facilement la débrancher en cas de nécessité.
- 6 Veillez à insérer complètement et soigneusement la fiche d'alimentation dans la prise. Une insertion insuffisante pourrait provoquer une décharge électrique. De la poussière peut également s'accumuler sur la fiche, ce qui pourrait provoquer un échauffement ou un incendie.
- 7 Vérifiez la capacité maximale de la prise ou d'une éventuelle multiprise et, ainsi, que l'utilisation du produit ne la dépasse pas. Toute surchauffe ou dégradation de la multiprise pourrait provoquer un incendie.
- 8 Ne touchez pas les bornes avec vos doigts ou des objets métalliques. Le non-respect de cette consigne pourrait provoquer une décharge électrique ou endommager le produit.
- 9 Veillez à ce que le produit ne tombe pas ou ne soit soumis à aucun choc violent. Les composants internes pourraient se casser, ce qui pourrait provoquer une décharge électrique, un incendie ou endommager le produit.
- 10 En cas d'endommagement du produit, demandez à un revendeur de le réparer ou de l'inspecter.
Si vous continuez à utiliser le produit dans ces conditions, vous risquez de provoquer un incendie ou une décharge électrique.
- 11 Ce produit ne peut être démonté ou modifié d'aucune manière. Le non-respect de cette consigne pourrait provoquer un incendie, une décharge électrique ou endommager le produit.
- 12 N'empêchez pas la dissipation de chaleur.
 - Ne couvrez pas l'appareil d'un chiffon, d'une nappe ou d'un autre objet de ce type.
 - Ne placez pas le produit sur un tapis, une moquette, etc.
 - Ne coincez ou n'enfonchez pas le produit dans un espace exigü mal ventilé.
 - N'obstruez pas les orifices d'aération.
 Laissez un espace d'aération d'au moins 1 cm au dessus, 1 cm à gauche et à droite et 5 cm à l'arrière de l'appareil.
Le non-respect des consignes ci-dessus pourrait emprisonner la chaleur à l'intérieur de l'appareil et provoquer un incendie ou endommager le produit.
- 13 Ne placez pas le produit à l'extérieur ou dans un endroit susceptible d'être exposé à l'eau.
Le non-respect de cette consigne pourrait provoquer un incendie, une décharge électrique ou endommager le produit.
- 14 N'installez pas le produit dans un endroit où il pourrait être exposé à la poussière ou l'humidité, à de la fumée ou à de la vapeur huileuse, ou à un gaz corrosif. Le non-respect de cette consigne pourrait provoquer un incendie, une décharge électrique ou endommager le produit.
- 15 Veillez à placer le produit sur une surface plane.
Ne le placez pas à l'envers ou à la verticale. Le non-respect de cette consigne pourrait provoquer un incendie, une décharge électrique ou endommager le produit.
- 16 Évitez d'installer l'appareil dans un endroit où des objets peuvent tomber et où l'appareil pourrait être exposé à des éclaboussures ou des gouttes d'eau. Sur le dessus de cet appareil, ne placez pas :
 - d'autres appareils car cela risquerait d'endommager la surface de l'appareil ou de provoquer sa décoloration.
 - des objets se consumant (par exemple, une bougie) car cela pourrait provoquer un incendie, endommager l'appareil ou vous blesser.
 - des récipients contenant des liquides car ils risqueraient de se renverser et de causer des décharges électriques ou d'endommager l'appareil.
- 17 N'introduisez pas de corps étrangers, tels que du métal ou du papier, dans le produit.
Le non-respect de cette consigne pourrait provoquer un incendie, une décharge électrique ou endommager le produit.
- 18 Évitez de toucher le produit lors d'un orage.
Le non-respect de cette consigne pourrait provoquer une décharge électrique.
- 19 Dépoussiérez et nettoyez régulièrement la fiche d'alimentation. Le non-respect de cette consigne pourrait provoquer un incendie.
- 20 Il convient d'utiliser le produit à plus de 22 cm d'un stimulateur cardiaque. Le non-respect de cette consigne pourrait perturber le stimulateur et provoquer un accident grave.
- 21 N'utilisez pas ce produit à proximité d'équipement médical. Les ondes radio émises par ce produit peuvent nuire au fonctionnement des appareils électriques utilisés en médecine. N'utilisez pas ce produit dans des endroits où l'utilisation d'ondes radio est restreinte, comme à proximité d'équipement médical.
- 22 Évitez d'endommager les câbles USB et les câbles du microphone.
 - Ne déposez pas d'objets lourds sur les câbles.
 - Ne modifiez pas les câbles.
 - Ne fixez pas les câbles à l'aide d'agrafes.
 - Ne forcez pas inutilement sur les câbles.
 - Ne placez pas les câbles à proximité de sources de chaleur.
 Cela pourrait provoquer un incendie ou une décharge électrique, ou encore endommager le produit.
- 23 Utilisez le câble USB et le câble du microphone fournis avec le produit. L'utilisation d'autres câbles pourrait provoquer un incendie, une décharge électrique ou endommager le produit.
- 24 Si vous ne comptez pas utiliser l'appareil pendant une période prolongée, pensez à débrancher toutes les fiches d'alimentation. Le non-respect de cette consigne pourrait provoquer un incendie ou une décharge électrique.
- 25 Vos mains doivent être sèches pour brancher et débrancher la fiche d'alimentation ou les câbles.
Le non-respect de cette consigne pourrait provoquer une décharge électrique ou endommager le produit.
- 26 N'installez pas l'appareil sur une surface non stable ou dans un endroit où il pourrait être exposé à des vibrations pouvant le faire tomber ou le renverser, provoquant ainsi des lésions ou des dommages à l'appareil.
- 27 N'installez pas cet appareil dans un endroit où il pourrait être exposé à la lumière directe du soleil ou à des températures extrêmement élevées (à proximité d'un chauffage, etc.). Le non-respect de cette consigne pourrait endommager l'appareil.
- 28 Ne vous asseyez pas/mettez pas debout sur l'appareil et ne placez pas d'autres objets dessus.
Le non-respect de cette consigne pourrait endommager l'appareil.

- 29 Réglez le volume au minimum avant de lancer la lecture.
Le non-respect de cette consigne entraînera l'émission d'un bruit intense pouvant provoquer des troubles de l'audition.
- 30 Veillez à ne pas utiliser l'appareil dans un endroit où il pourrait être exposé à des variations rapides de la température ambiante. Tout changement brutal de la température ambiante pourrait provoquer la formation de condensation sur l'appareil et l'endommager. En cas de formation de condensation, coupez l'alimentation de l'appareil et laissez-le sécher pendant un certain temps.
- 31 Ne branchez pas de câbles lorsque l'appareil est sous tension. Le non-respect de cette consigne pourrait endommager l'appareil, ainsi que tout périphérique raccordé.
- 32 Veillez à mettre à la masse l'électricité statique de votre corps ou de vos vêtements avant de toucher l'appareil. Le non-respect de cette consigne pourrait endommager l'appareil.
- 33 Veillez à acheminer et raccorder les câbles correctement.
Si quelqu'un tire sur les câbles ou se prend les pieds dedans, le produit ou l'équipement raccordé risque de basculer ou tomber, provoquant des blessures ou endommageant le produit.
- 34 Avant de brancher un périphérique externe, lisez attentivement les modes d'emploi fournis avec l'appareil et effectuez les branchements en respectant les instructions.

Cet appareil n'est pas déconnecté de la source d'alimentation secteur tant qu'il reste branché sur la prise secteur murale, même si l'appareil proprement dit est éteint. Il est en mode veille. Dans ce mode, l'appareil est conçu pour consommer une très faible quantité de courant.

AVERTISSEMENT

POUR RÉDUIRE LES RISQUES D'INCENDIE OU DE DÉCHARGE ÉLECTRIQUE, N'EXPOSEZ PAS CET APPAREIL À LA PLUIE OU À L'HUMIDITÉ.

Avertissement : La mise en service de cet équipement dans un environnement résidentiel pourrait créer des interférences radio.

L'émetteur/récepteur exempt de licence contenu dans le présent appareil est conforme aux CNR d'Innovation, Sciences et Développement économique Canada applicables aux appareils radio exempts de licence. L'exploitation est autorisée aux deux conditions suivantes :

1. L'appareil ne doit pas produire de brouillage ;
2. L'appareil doit accepter tout brouillage radioélectrique subi, même si le brouillage est susceptible d'en compromettre le fonctionnement.

Cet équipement est conforme aux limites d'exposition aux rayonnements énoncées pour un environnement non contrôlé et respecte les règles d'exposition aux fréquences radioélectriques (RF) CNR-102 de l'ISDE. Cet équipement doit être installé et utilisé en gardant une distance de 20 cm ou plus entre le radiateur et le corps humain.

Précautions d'utilisation

- Cet appareil est destiné à être utilisé dans des bâtiments administratifs et pas dans des contextes nécessitant une importante fiabilité lors de la prise en charge de vies humaines ou de biens précieux.
- Yamaha rejette toute responsabilité quant aux éventuels dommages découlant d'une utilisation ou configuration induite de l'appareil.
- En fonction de son environnement d'utilisation, cet appareil peut produire des interférences dans un téléphone, une radio, une télévision, etc. Si cela devait se produire, installez-le ailleurs ou orientez-le différemment.
- En cas de cession de cet appareil à un tiers, remettez-lui ce mode d'emploi et les accessoires l'accompagnant.
- En cas de mise au rebut de l'appareil, respectez la réglementation locale en vigueur.
- Ne branchez pas d'équipement générant des interférences sur la même ligne d'alimentation que le produit.

Informations concernant la collecte et le traitement des déchets d'équipements électriques et électroniques



Le symbole sur les produits, l'emballage et/ou les documents joints signifie que les produits électriques ou électroniques usagés ne doivent pas être mélangés avec les déchets domestiques habituels.

Pour un traitement, une récupération et un recyclage appropriés des déchets d'équipements électriques et électroniques, veuillez les déposer aux points de collecte prévus à cet effet, conformément à la réglementation nationale.

En vous débarrassant correctement des déchets d'équipements électriques et électroniques, vous contribuerez à la sauvegarde de précieuses ressources et à la prévention de potentiels effets négatifs sur la santé humaine qui pourraient advenir lors d'un traitement inapproprié des déchets.

Pour plus d'informations à propos de la collecte et du recyclage des déchets d'équipements électriques et électroniques, veuillez contacter votre municipalité, votre service de traitement des déchets ou le point de vente où vous avez acheté les produits.

Pour les professionnels dans l'Union européenne :

Si vous souhaitez vous débarrasser des déchets d'équipements électriques et électroniques, veuillez contacter votre vendeur ou fournisseur pour plus d'informations.

Informations sur la mise au rebut dans d'autres pays en dehors de l'Union européenne :

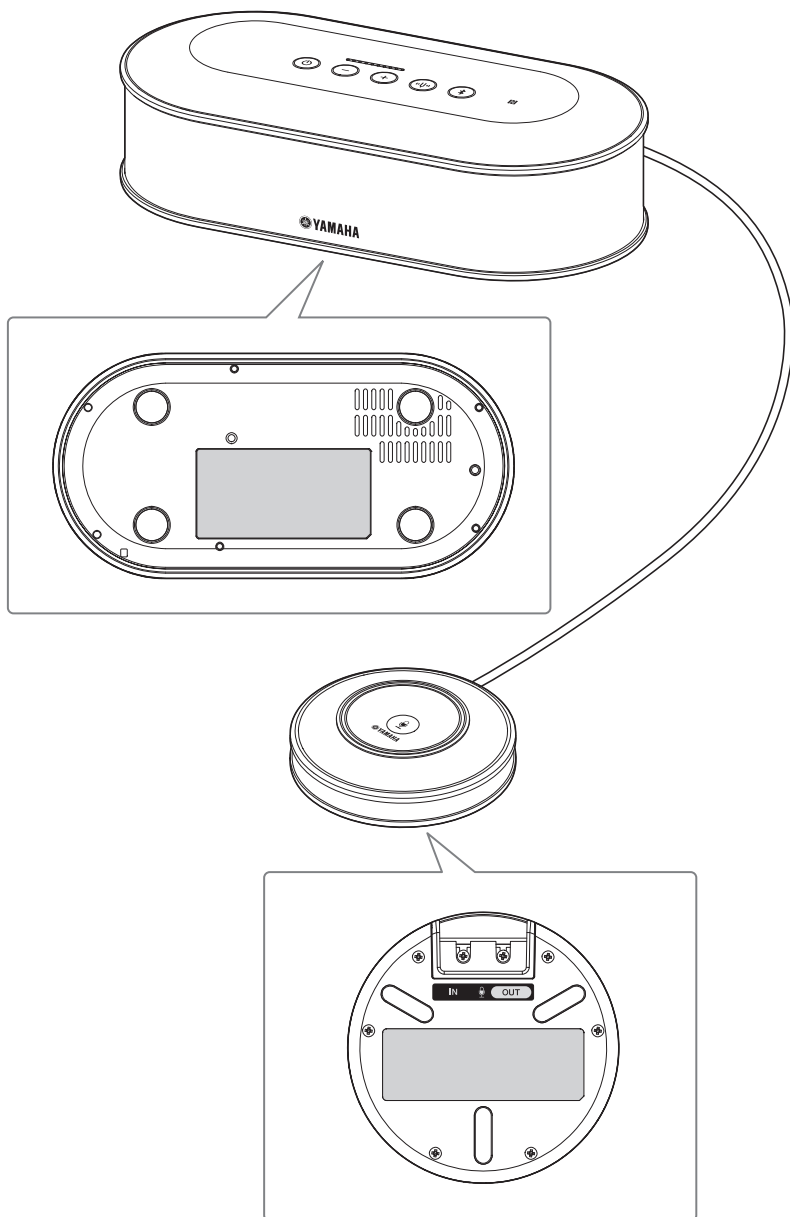
Ce symbole est seulement valable dans l'Union européenne. Si vous souhaitez vous débarrasser de déchets d'équipements électriques et électroniques, veuillez contacter les autorités locales ou votre fournisseur et demander la méthode de traitement appropriée.

À propos de Bluetooth®

- Bluetooth est une technologie permettant la communication sans fil via la bande de fréquence de 2,4 GHz, qui peut être utilisée sans licence.
- La bande de 2,4 GHz utilisée par les périphériques Bluetooth est une bande radio partagée par de nombreux types d'appareils. Les appareils Bluetooth emploient une technologie qui réduit l'influence des composants fonctionnant sur la même bande radio, mais la vitesse ou la distance de communication peut cependant être réduite par de tels composants, et dans certains cas la communication pourrait être interrompue.
- La vitesse de transfert du signal et la portée de communication dépendent de la distance entre les appareils de communication, la présence d'obstacles, l'état des ondes radio et le type d'appareil.
- Yamaha ne garantit pas toutes les connexions sans fil entre cet appareil et les appareils compatibles avec la fonction Bluetooth.

Emplacements des plaques signalétiques

Les plaques signalétiques se trouvent en dessous de l'unité de commande et du microphone.



Introduction

Nous vous remercions d'avoir acheté un Yamaha YVC-1000. Le YVC-1000 est un système intégré Haut-parleurs et Microphone pour Communications Unifiées qui peut servir de borne audio lorsqu'il est raccordé à un équipement de communication tel qu'un PC ou un Mac, un smartphone ou une tablette, et un système de conférence vidéo.

Lisez attentivement ce manuel avant d'installer et de raccorder l'unité.

Conservez-le soigneusement pour référence.

- Aucune partie du présent manuel ne peut être copiée ou utilisée sous quelque forme que ce soit sans l'autorisation de Yamaha.
- Le contenu de ce mode d'emploi s'applique aux dernières caractéristiques techniques connues à la date de publication du manuel. Pour obtenir la version la plus récente du manuel, accédez au site ci-dessous puis téléchargez le fichier du manuel concerné.
<https://uc.yamaha.com/resources/support/>
- Yamaha ne peut être tenue responsable de toute perte de données ou de tout dommage résultant de l'utilisation du produit. Notez que la garantie couvre les réparations de ce produit uniquement.

Vérification du contenu

- Unité de commande (YVC-CTU1000) x 1
- Microphone (YVC-MIC1000) x 1
- Câble d'alimentation (3 m) x 1
- Câble USB (5 m) x 1
- Câble du microphone (5 m) x 1
- Guide de référence rapide (le présent mode d'emploi) x 1

À propos de ce mode d'emploi

■ À propos des abréviations

Dans ce mode d'emploi, les noms de produits sont décrits comme suit:

- Yamaha YVC-1000: le produit
- Microsoft® Windows®: Windows
- macOS®: macOS

■ À propos des marques commerciales

- Microsoft et Windows sont des marques déposées de Microsoft Corporation aux États-Unis et dans d'autres pays.
- Mac et macOS sont des marques déposées de Apple Inc.
- Android™ est une marque commerciale ou une marque déposée de Google Inc.
- Bluetooth® est une marque déposée de Bluetooth SIG, utilisée par Yamaha en vertu d'un contrat de licence.
- Le logo NFC (N-Mark) est une marque commerciale ou une marque déposée de NFC Forum, Inc.

Veillez lire les autres manuels d'instructions en plus de ce mode d'emploi

Ce mode d'emploi contient uniquement des informations de base.

Lisez le mode d'emploi suivant pour obtenir des informations détaillées sur l'utilisation du produit:

Manuel de l'utilisateur: contient des informations sur l'utilisation du produit, notamment des réglages détaillés et des fonctions utiles.

Veillez télécharger le manuel de l'utilisateur le plus récent depuis la page de téléchargement de notre site Web.

Pour configurer des paramètres de l'équipement de communication, reportez-vous aux manuels d'instructions fournis avec l'équipement.

Utilisation des dernières fonctions

Vous pouvez télécharger le micrologiciel (programme du produit) depuis la page de téléchargement de notre site Web pour utiliser les dernières fonctions.

■ Page de téléchargement

<https://uc.yamaha.com/resources/support/>

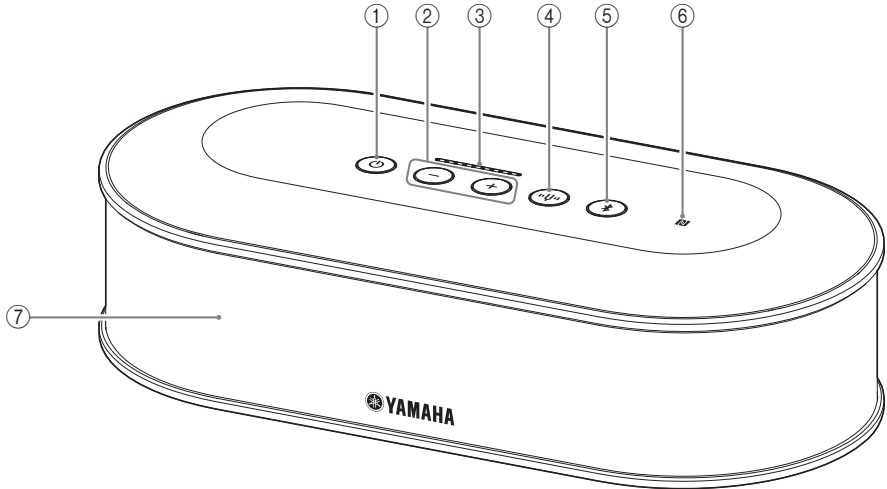
Utilisation de logiciels Open Source

Ce produit utilise des logiciels Open Source.

Le contenu de la licence est inclus dans le manuel de l'utilisateur.

Commandes et leurs fonctions

Unité de commande (YVC-CTU1000)



① Témoin/touche d'alimentation

Permet de mettre le produit sous tension. Maintenez cette touche enfoncée pendant deux secondes minimum pour passer en mode veille. Il s'allume en vert lorsque le produit est sous tension, et s'allume en rouge en mode veille.

② Témoins/touches de volume +/-

Permettent de régler le volume des haut-parleurs. Maintenez la touche appropriée enfoncée pendant 0,5 seconde minimum pour augmenter ou réduire le volume de façon continue. Appuyez simultanément sur les touches + et - pendant deux secondes minimum pour permuter le périphérique de sortie entre les haut-parleurs intégrés et les haut-parleurs externes.

③ Témoin du niveau de volume

Il indique normalement le niveau d'entrée d'une voix entrante. Il indique les paramètres lors du réglage du volume des haut-parleurs ou lors de la sélection d'un haut-parleur de sortie.

④ Témoin/touche de diapason

Il s'allume ou clignote en orange en cas de problème. Si un problème est détecté, appuyez sur la touche de diapason pour activer le guidage vocal sur le problème en question.

Si vous maintenez cette touche enfoncée pendant deux secondes minimum, le produit mesure automatiquement les conditions acoustiques et règle la fréquence audio pour une condition optimale (réglage automatique de la fréquence audio).

⑤ Témoin/touche Bluetooth

Permet d'effectuer un pairage ou de connecter une tablette ou un smartphone Bluetooth. Si vous appuyez sur cette touche alors que l'appareil est en cours de connexion au dispositif Bluetooth, ce dernier se déconnectera.

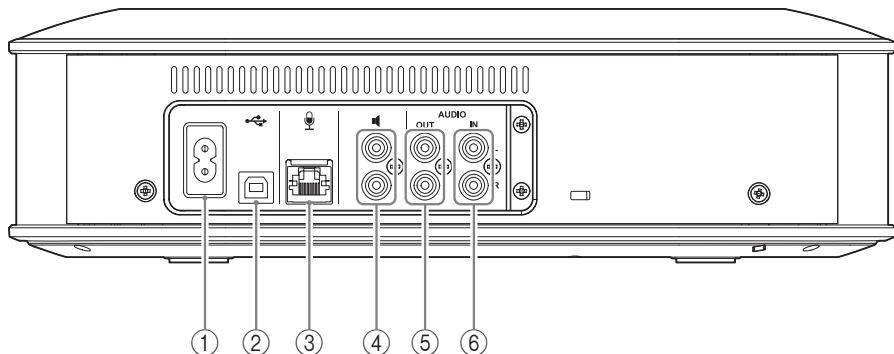
⑥ Logo NFC (N-Mark)

Approcher un smartphone ou une tablette Bluetooth NFC (Near Field Communication) au-dessus du N-Mark vous permet d'effectuer un pairage ou de le connecter/déconnecter du produit.

⑦ Haut-parleur intégré

Émet une voix entrante.

Unité de commande (YVC-CTU1000): vue arrière



① Borne d'alimentation

Permet de raccorder le câble d'alimentation fourni.

② Port USB

Permet de raccorder le produit à un ordinateur ou un Mac à l'aide du câble USB fourni.

③ Borne du microphone

Permet de raccorder le microphone fourni à l'aide du câble du microphone.

④ Bornes des haut-parleurs externes

Permettent de raccorder les haut-parleurs à un amplificateur intégré.

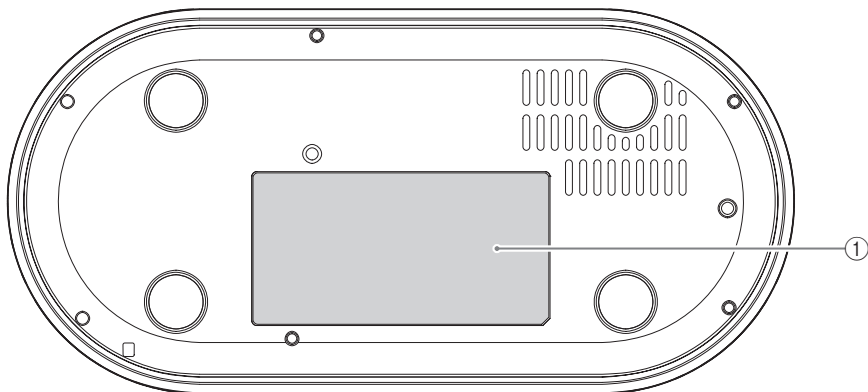
⑤ Bornes de sortie audio (AUDIO OUT)

Permettent le raccordement aux bornes d'entrée audio d'un système de conférence vidéo.

⑥ Bornes d'entrée audio (AUDIO IN)

Permettent le raccordement aux bornes de sortie audio d'un système de conférence vidéo.

Unité de commande (YVC-CTU1000): vue de dessous



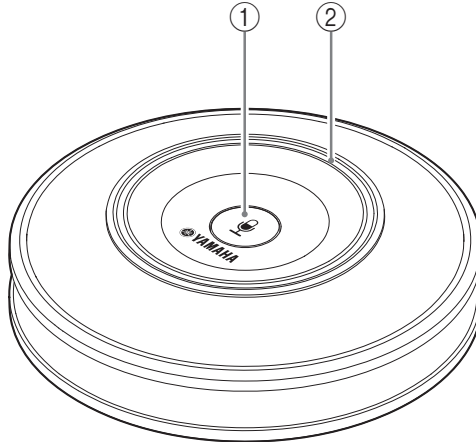
① Plaque signalétique

Fournit les informations suivantes.

Model No.: numéro de modèle de ce produit

SERIAL LABEL: numéro de série de ce produit

Microphone (YVC-MIC1000)



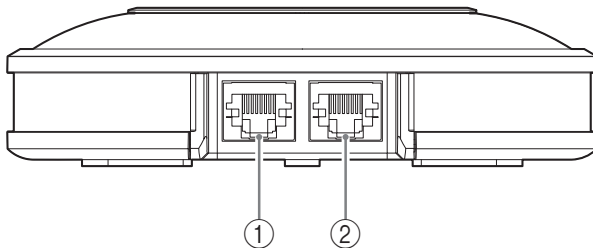
① Touche de mise en sourdine du microphone

Appuyez pour couper (mettre en sourdine) temporairement le microphone. Pour annuler la fonction de mise en sourdine, appuyez de nouveau sur la touche.

② Témoin d'état du microphone

S'allume en vert lorsque le microphone est activé. Clignote en rouge lorsque le microphone est en sourdine.

Microphone (YVC-MIC1000): vue latérale



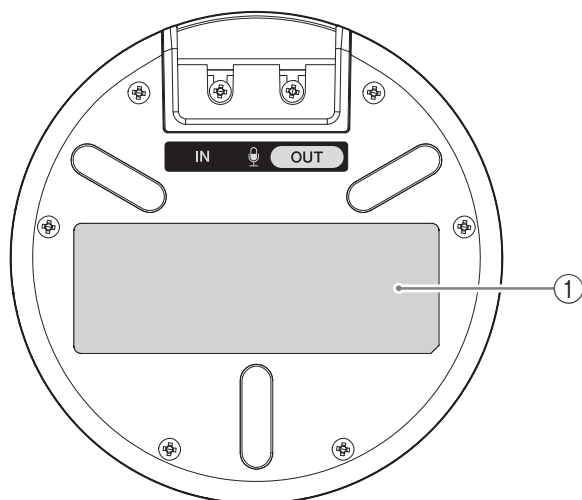
① Borne d'entrée (IN)

Permet de raccorder le microphone optionnel (YVC-MIC1000EX) à l'aide du câble du microphone.

② Borne de sortie (OUT)

Permet de raccorder l'unité de commande à l'aide du câble du microphone.

Microphone (YVC-MIC1000): vue de dessous



① Plaque signalétique

Fournit les informations suivantes.

Model No.: numéro de modèle de ce produit

SERIAL LABEL: numéro de série de ce produit

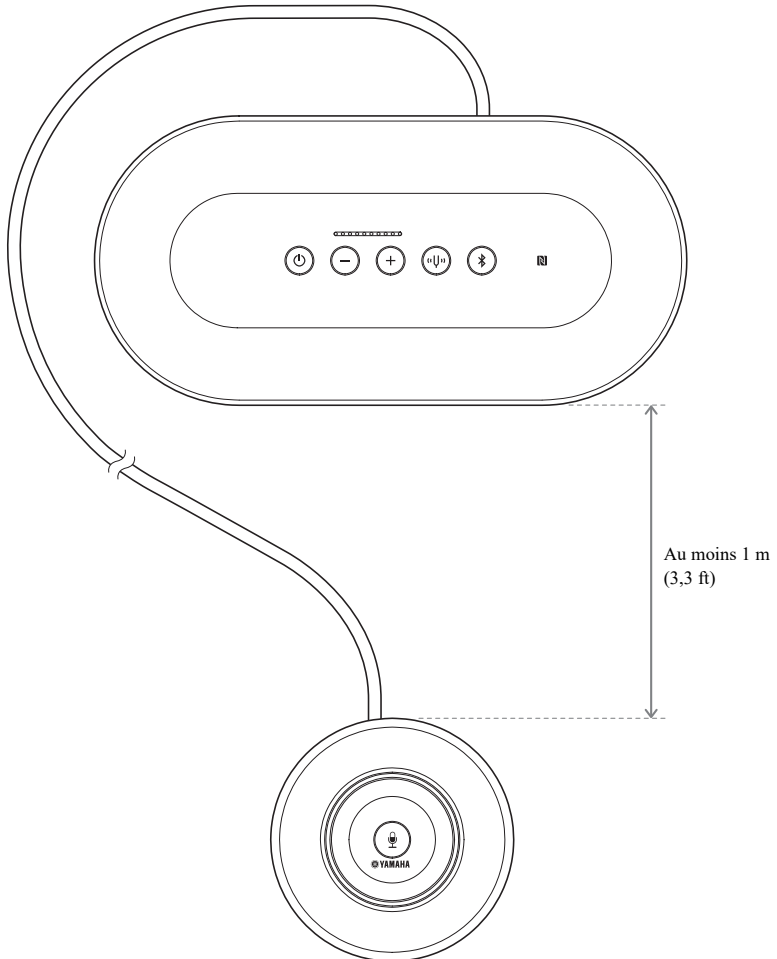
Configuration d'utilisation

Installation

Installez le produit à un emplacement approprié.

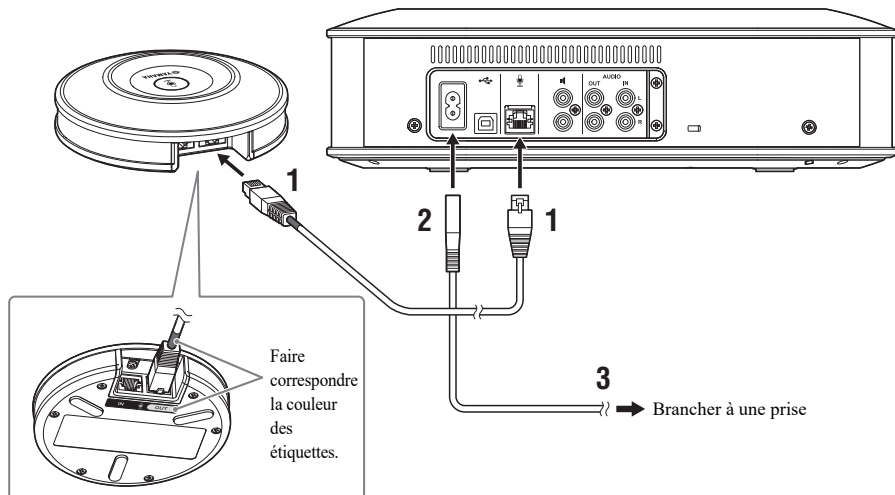
Remarques relatives à l'installation

- Placez le microphone à 1 m (3,3 ft) minimum de l'unité de commande.
- Éloignez le microphone de tout bruit parasite.



Raccordement du microphone et des câbles d'alimentation

Raccordez le câble du microphone et le câble d'alimentation fournis avec le produit.



Remarques


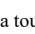

- Lorsque vous raccordez le câble du microphone, veillez à faire correspondre la couleur des étiquettes sur le câble du microphone avec celle de la borne de sortie du microphone (OUT).
- Veillez à insérer complètement le câble d'alimentation dans la borne d'alimentation de l'unité de commande et dans la prise.

Conseil

Il est possible de raccorder cinq microphones au produit, y compris le microphone fourni et les microphones en option (YVC-MIC1000EX). (Pour plus de détails, reportez-vous au manuel de l'utilisateur.)

Configuration

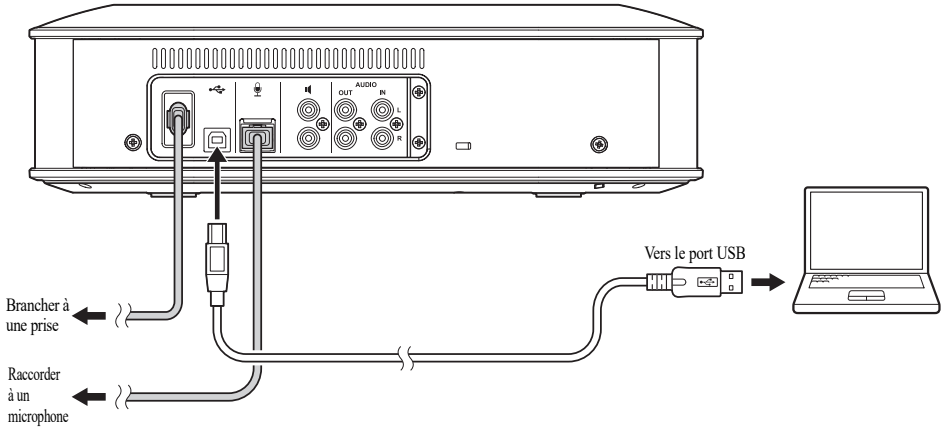
Modification du langage du guide vocal

Appuyez sur la touche de diapason () tout en appuyant successivement sur la touche de volume + (). Le langage changera à chaque fois que vous appuierez sur la touche de volume + ().

Pour des instructions détaillées, reportez-vous au manuel de l'utilisateur.

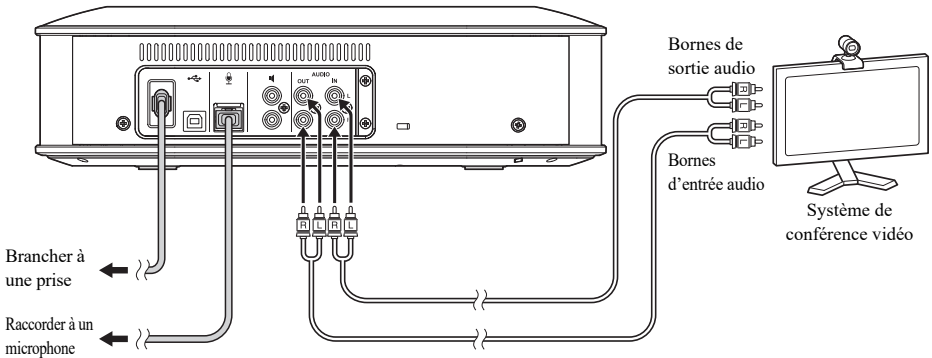
Raccordement à un équipement de communication

Raccordement à un ordinateur ou un Mac à l'aide du câble USB



Après avoir connecté le produit, mettez-le sous tension et vérifiez qu'il est correctement reconnu par le PC ou le Mac. Pour des instructions détaillées, reportez-vous au manuel de l'utilisateur.

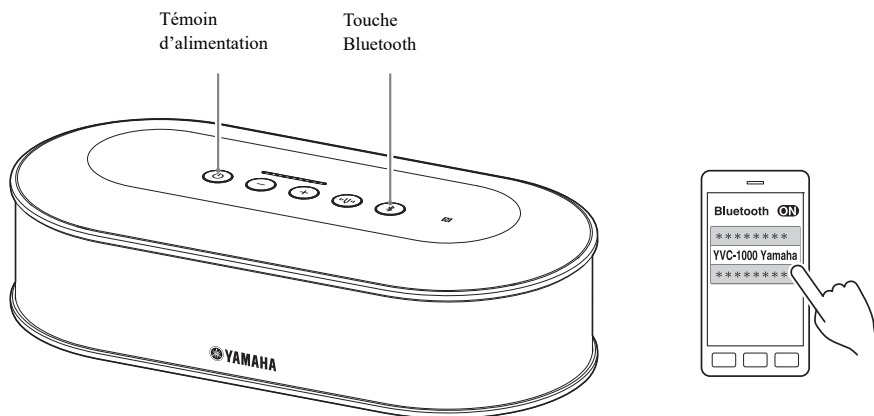
Raccordement à un système de conférence vidéo via un câble audio



Après avoir connecté le produit, modifiez les paramètres du système de conférence vidéo de manière à utiliser le produit comme microphone et comme haut-parleur.

Pour des instructions détaillées, reportez-vous au manuel de l'utilisateur.

Raccordement à un smartphone ou une tablette via Bluetooth



■Pairage

- 1 Appuyez sur la touche d'alimentation pour mettre le produit sous tension.
- 2 Appuyez sur la touche Bluetooth.
La touche Bluetooth clignote en bleu.
- 3 Appuyez sur la touche Bluetooth et maintenez-la enfoncée pendant deux secondes ou plus.
La touche Bluetooth clignote en bleu rapidement pour indiquer que le pairage peut être exécuté.
- 4 Effectuez la procédure de pairage à l'aide du smartphone ou de la tablette.

■Raccordement à un smartphone ou une tablette couplé(e) via Bluetooth

- 1 Appuyez sur la touche d'alimentation pour mettre le produit sous tension.
- 2 Appuyez sur la touche Bluetooth.
La touche Bluetooth clignote en bleu pour indiquer que l'appareil peut être connecté via Bluetooth.
- 3 Effectuez la procédure de connexion Bluetooth à l'aide du smartphone ou de la tablette.
Une fois la connexion établie, la touche Bluetooth s'allume en bleu.

Pour des instructions détaillées, reportez-vous au manuel de l'utilisateur.

Caractéristiques techniques

Généralités

| | |
|---|--|
| Interface: | Unité de commande: USB 2.0 haut débit, Bluetooth, NFC (Near Field Communication), Bornes d'entrée audio (broche RCA stéréo), bornes de sortie audio (broche RCA stéréo), borne du haut-parleur externe (broche RCA) x 2, borne d'alimentation, borne du microphone Microphone: bornes d'entrée et de sortie |
| Consommation électrique (maximum): | 20 W (un seul microphone raccordé), 35 W (cinq microphones raccordés) |
| Conditions d'utilisation: | Température: 0 à 40°C (32 à 104°F) Humidité: 20 à 85% (sans condensation) |
| Conditions de stockage: | Température: -20 à +50°C (-4 à 122°F) Humidité: 10 à 90% (sans condensation) |
| Dimensions: | Unité de commande (L x H x P): 332 x 95 x 162 mm (13,1 x 3,74 x 6,38 in) Microphone (L x H x P): 136 x 36 x 136 mm (5,35 x 1,42 x 5,35 in) |
| Poids: | Unité de commande: 1,8 kg (4,0 lbs) Microphone: 0,4 kg (0,9 lbs) |
| Source d'alimentation: | Modèles États-Unis et Canada : AC 120 V (60 Hz) Modèle Japon: AC 100 V (50/60 Hz) Modèle Chine: AC 220 V (50 Hz) Modèle Corée: AC 110/220 V (60 Hz) Modèles Royaume-Uni, Europe et Russie: AC 220-240 V (50 Hz) |
| Configuration du PC/Mac: | Système d'exploitation: Windows (*1), macOS (*1) USB: USB 2.0 ou supérieur |
| Bluetooth: | Version des caractéristiques Bluetooth: 2.1 + EDR Profils pris en charge: HFP (1.6), A2DP Codecs pris en charge: SBC, mSBC, CVSD Sortie sans fil: Class 2 Distance maximale de communication: 10 m Fréquence radio (fréquence opérationnelle): 2 402 MHz à 2 480 MHz Puissance de sortie maximale (EIRP): 4,0 dBm (2,5 mW) |
| NFC: | Périphériques compatibles: périphériques Android compatibles NFC |
| Guidage vocal: | Anglais, japonais, chinois, coréen, français, espagnol, allemand |
| Accessoires: | Câble d'alimentation (3 m), câble USB (5 m), câble du microphone (5 m), Guide de référence rapide |
| Autres: | Mise à jour du micrologiciel (transfert depuis l'ordinateur via un câble USB) |

(*1) Veuillez vous référer au site ci-dessous pour connaître les versions supportées:
<https://uc.yamaha.com/>

Son

| | |
|-------------------------------|---|
| Unités de microphone: | Unidirectionnel x 3 |
| Unité de haut-parleur: | Complet x 1 |
| Traitement du signal: | Suppresseur d'écho adaptatif, Réduction du bruit, Poursuite automatique, Commande de gain automatique, Égaliseur de pièce automatique, Déréverbération, Réglage automatique de la fréquence audio |

目次

| | | | |
|-----------------------------------|----|--|----|
| 安全上のご注意 | 2 | 各部の名称とはたらき | 12 |
| 「警告」と「注意」について | 2 | 本体 (YVC-CTU1000) | 12 |
| 記号表示について | 2 | 本体 (YVC-CTU1000) : 背面 | 13 |
| 警告 | 3 | 本体 (YVC-CTU1000) : 底面 | 13 |
| 注意 | 5 | マイク (YVC-MIC1000) | 14 |
| 使用上のご注意 | 6 | マイク (YVC-MIC1000) : 側面 | 14 |
| Bluetooth® について | 6 | マイク (YVC-MIC1000) : 底面 | 15 |
| 本製品の無線方式について | 7 | 本製品を準備する | 16 |
| 銘板の位置 | 8 | 設置する | 16 |
| はじめに | 9 | マイクケーブル、電源ケーブルを 接続する | 17 |
| 箱の中身をご確認ください | 9 | 設定する | 17 |
| 本書の表記について | 9 | 音声ガイダンスの言語を切り替える | 17 |
| 本書以外の説明書もご覧ください | 10 | 通信機器と接続する | 18 |
| 最新の機能を利用する | 10 | PC または Mac と USB ケーブルで 接続する | 18 |
| オープンソースソフトウェアの 使用について | 10 | ビデオ会議システムとオーディオケーブルで 接続する | 18 |
| 本製品のお客様サポートについて (サポート規定) | 10 | スマートフォンまたはタブレットと Bluetooth 接続する | 19 |
| サポート窓口のご案内 | 11 | 主な仕様 | 20 |
| | | 総合 | 20 |
| | | オーディオ | 21 |

安全上のご注意

本製品を安全にお使いいただくために、本書の「警告」と「注意」をよくお読みになり、必ず守ってお使いください。本書に示した「警告」と「注意」は、製品を安全に正しくご使用いただき、お客様や他の方々への危害や財産への損害を未然に防止するためのものです。お読みになったあとは、使用される方がいつでも見られる場所に必ず保管してください。

「警告」と「注意」について

以下、誤った取り扱いをすると生じることが想定される内容を、危害や損害の大きさと切迫の程度を明示するために、「警告」と「注意」に区分して掲載しています。

⚠警告



この表示の欄は、「死亡する可能性または重傷を負う可能性が想定される」内容です。

⚠注意


この表示の欄は、「傷害を負う可能性または物的損害が発生する可能性が想定される」内容です。

記号表示について

本書に表示されている記号には、次のような意味があります。

| | |
|---|------------------------|
|  | 「～しないでください」という禁止を示します。 |
|  | 「実行してください」という強制を示します。 |



警告

| | |
|---|--|
|  <p>必ず実行</p> | <p>下記の場合には、すぐに電源プラグをコンセントから抜く。</p> <ul style="list-style-type: none"> • 異常なおいや音がする • 煙が出る • 破損した • 水がかかった <p>そのまま使用すると、火災や感電の原因になります。 必ず販売店に修理や点検をご依頼ください。</p> |
|  <p>禁止</p> | <p>電源ケーブルを傷つけない。</p> <ul style="list-style-type: none"> • 重いものを上に載せない • 加工をしない • ステーブルで止めない • 無理な力を加えない • 熱器具には近づけない <p>火災や感電、故障の原因になります。</p> |
|  <p>必ず実行</p> | <p>必ず付属の電源ケーブルを使用する。 それ以外の電源ケーブルを使用すると、火災や感電、故障の原因になります。</p> |
|  <p>禁止</p> | <p>付属の電源ケーブルを他の電気機器で使用しない。 火災や感電、故障の原因になります。</p> |
|  <p>必ず実行</p> | <p>AC100V(50/60Hz)の電源電圧で使用する。 それ以外の電源電圧で使用すると、火災や感電、故障の原因になります。</p> |
|  <p>必ず実行</p> | <p>電源プラグは、見える位置で、手が届く範囲のコンセントに接続する。 万一の場合、電源プラグを容易に引き抜くためです。</p> |
|  <p>必ず実行</p> | <p>電源プラグは、コンセントに根元まで、確実に差し込む。 差し込みが不十分なまま使用すると感電したり、プラグにほこりが堆積して発熱や火災の原因になります。</p> |
|  <p>必ず実行</p> | <p>コンセントやテーブルタップの電流容量を確認し、本製品を使用してもこの容量を越えないことを確認する。 テーブルタップなどが過熱、劣化して火災の原因になります。</p> |
|  <p>禁止</p> | <p>端子部を指や金属で触れない。 感電や故障の原因になります。</p> |
|  <p>禁止</p> | <p>本製品を落下させたり、強い衝撃を与えない。 内部の部品が破損し、感電や火災、故障の原因となります。</p> |

| | |
|---|---|
|  <p>必ず実行</p> | <p>本製品が破損した場合には、必ず販売店に点検や修理を依頼する。 そのまま使用すると、火災や感電の原因になります。</p> |
|  <p>分解禁止</p> | <p>分解・改造は絶対にしない。 火災や感電、故障の原因になります。</p> |
|  <p>禁止</p> | <p>放熱を妨げない。</p> <ul style="list-style-type: none"> • 布やテーブルクロスをかけない • じゅうたん、カーペットの上には設置しない • 通風口をふさがない • 通気性の悪い狭いところへは押し込まない <p>本製品の周囲に左右 1cm、上 1cm、背面 5cm 以上のスペースを確保する 本製品の内部に熱がこもり、火災や故障の原因になります。</p> |
|  <p>禁止</p> | <p>本製品は屋外や、水滴のかかる場所には設置しない。 火災や感電、故障の原因になります。</p> |
|  <p>禁止</p> | <p>ほこりや湿気の多い場所、油煙や湯気があたる場所、腐蝕性ガスがかかる場所に設置しない。 火災や感電、故障の原因になります。</p> |
|  <p>必ず実行</p> | <p>水平置きで設置する。 上下逆さまや縦置きで設置した場合、火災や感電、故障の原因になります。</p> |
|  <p>禁止</p> | <p>本製品の上には、花瓶・植木鉢・コップ・化粧品・薬品・ロウソクなどを置かない。 水や異物が入ると、火災や感電の原因になります。</p> |
|  <p>禁止</p> | <p>内部に金属や紙片など異物を入れない。 火災や感電、故障の原因になります。</p> |
|  <p>接触禁止</p> | <p>雷が鳴りはじめたら、本製品には触れない。 感電のおそれがあります。</p> |
|  <p>必ず実行</p> | <p>電源プラグのゴミやほこりは、定期的に取り除く。 ほこりがたまったまま使用を続けると、火災の原因になります。</p> |
|  <p>必ず実行</p> | <p>心臓ペースメーカーまたは除細動器などを装着している人から 22 cm 以上離してご使用ください。 ペースメーカーに影響を与え重大事故につながるおそれがあります。</p> |
|  <p>禁止</p> | <p>医療機器の近くでは使用しない。 電波が医療用電気機器に影響を与えるおそれがあります。 医療機器の近くなどの電波の使用が制限された区域では使わないでください。</p> |

⚠ 注意

| | |
|---|--|
|  <p>禁止</p> | <p>USB ケーブル、マイクケーブルを傷つけない。</p> <ul style="list-style-type: none"> • 重いものを上に載せない • 加工をしない • ステーブルで止めない • 無理な力を加えない • 熱器具には近づけない <p>火災や感電、故障の原因になります。</p> |
|  <p>必ず実行</p> | <p>必ず付属の USB ケーブル、マイクケーブルを使用する。 それ以外の USB ケーブル、マイクケーブルを使用すると、火災や感電、故障の原因になります。</p> |
|  <p>必ず実行</p> | <p>長期間使用しないときは、必ず電源プラグをコンセントから抜く。 火災や感電の原因になります。</p> |
|  <p>ぬれ手禁止</p> | <p>ぬれた手で電源プラグ、ケーブルを抜き差ししない。 感電や故障の原因になります。</p> |
|  <p>禁止</p> | <p>不安定な場所や振動する場所には設置しない。 本製品が落下や転倒して、けがや故障の原因になります。</p> |
|  <p>禁止</p> | <p>直射日光のあたる場所や、温度が異常に高くなる場所（暖房機のそばなど）には設置しない。 故障の原因になります。</p> |
|  <p>禁止</p> | <p>本製品の上に乗ったり、物を置いたりしない。 故障の原因になります。</p> |
|  <p>必ず実行</p> | <p>再生を始める前には、音量（ボリューム）を最小にする。 突然大きな音が出て、聴覚障害の原因になります。</p> |
|  <p>禁止</p> | <p>環境温度が急激に変化する場所では使用しない。 環境温度が急激に変化すると、本製品に結露が発生することがあります。そのまま使用すると故障の原因になるため、結露が発生したときは電源を入れない状態で乾くまでしばらく放置してください。</p> |
|  <p>禁止</p> | <p>電源を入れたままケーブルを接続しない。 本製品および接続機器の故障の原因になります。</p> |
|  <p>必ず実行</p> | <p>本製品に触れるときは、人体や衣服から静電気を除去する。 静電気によって故障するおそれがあります。</p> |

| | |
|---|---|
|  <p>必ず実行</p> | <p>ケーブルは正しく配置、接続する。 ケーブルを引っ張ったり足にひっかけたりすると、本製品や接続機器の転倒や落下などにより、けがや故障の原因になります。</p> |
|  <p>必ず実行</p> | <p>外部機器を接続する場合は、各機器の取扱説明書をよく読み、説明に従って接続する。</p> |

使用上のご注意

- 本製品は一般オフィス向けの製品であり、人の生命や高額財産などを扱うような高度な信頼性を要求される分野に適用するには設計されていません。
- 本製品の使用方法や設定を誤って使用した結果発生したあらゆる損失について、弊社では一切その責任を負いかねますので、あらかじめご了承ください。
- 本製品のご使用にあたり、周囲の環境によっては電話、ラジオ、テレビなどに雑音が入る場合があります。雑音が入る場合は、本製品の設置場所、向きを変えてみてください。
- 本製品を譲渡する際は、本書と付属品も合わせて譲渡してください。
- 本製品を廃棄する際はお住まいの自治体の指示に従ってください。
- 本製品の同一電源ライン上にノイズが発生する機器を接続しないでください。

電波障害自主規制について

この装置は、クラス A 情報技術装置です。この装置を家庭環境で使用すると電波妨害を引き起こすことがあります。この場合には使用者が適切な対策を講ずるよう要求されることがあります。

VCCI-A

高調波電流規格 JIS C 61000-3-2 適合品

Bluetooth[®] について

- Bluetooth とは、無許可で使用可能な 2.4 GHz 帯の電波を利用して、無線で通信を行うことができる技術です。
- Bluetooth 対応機器が使用する 2.4 GHz 帯は、さまざまな機器が共有する周波数帯です。Bluetooth 対応機器は、同じ周波数帯を使用する機器からの影響を最小限に抑えるための技術を採用していますが、他の機器の影響によって通信速度や通信距離が低下することや、通信が切断されることがあります。
- 通信機器間の距離や障害物、電波状況、機器の種類により、通信速度や通信距離は異なります。
- 本製品はすべての Bluetooth 機能対応機器とのワイヤレス接続を保証するものではありません。

本製品の無線方式について

| | |
|----------|---------------------------|
| 使用周波数範囲 | 2.4GHz |
| 変調方式 | 周波数ホッピング (FH-SS 方式) |
| 想定干渉距離 | 10m 以内 |
| 周波数変更の可否 | 全帯域を使用し、かつ移動体識別装置の帯域を回避不可 |

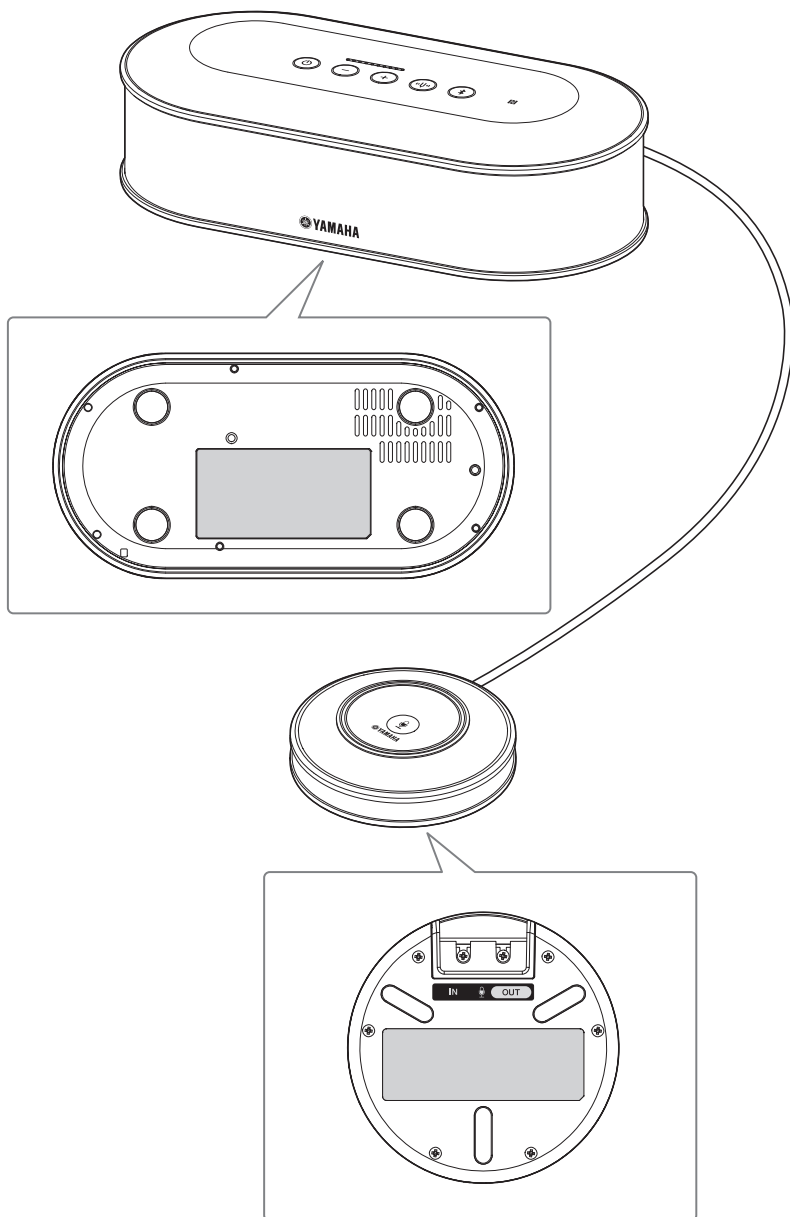
無線に関するご注意

本製品の使用周波数帯では、電子レンジなどの産業・科学・医療用機器のほか、工場の製造ライン等で使用されている移動体識別用の構内無線局（免許を要する無線局）および特定小電力無線局（免許を要しない無線局）並びにアマチュア無線局（免許を要する無線局）が運用されています。

- 本製品を使用する前に、近くで移動体識別用の構内無線局及び特定小電力無線局並びにアマチュア無線局が運用されていないことを確認してください。
- 万一、本製品から移動体識別用の構内無線局に対して有害な電波干渉の事例が発生した場合には、速やかに使用場所を変えるか、又は機器の運用を停止（電波の発射を停止）してください。

銘板の位置

銘板は、本体、マイクの各底面にあります。



はじめに

ヤマハ YVC-1000 をお買い上げいただきありがとうございます。本製品は PC や Mac、スマートフォンやタブレットおよびビデオ会議システムといった通信機器に接続して、音声端末として機能するユニファイドコミュニケーションマイクスピーカーシステムです。

お使いになる前に本書をよくお読みになり、正しく設置や接続を行ってください。

本書はなくさないように、大切に保管してください。

- 本書の記載内容の一部または全部を無断で転載することを禁じます。
- 本書は、発行時点での最新仕様で説明しています。最新版は、下記のウェブサイトからダウンロードできます。
<https://sound-solution.yamaha.com/download/>
- 本製品を使用した結果発生した情報の消失などの損失については、弊社ではいかなる責任も負いかねます。保証は本製品の物損の範囲に限ります。あらかじめご了承ください。

箱の中身をご確認ください

- 本体 (YVC-CTU1000) × 1
- マイク (YVC-MIC1000) × 1
- 電源ケーブル (3m) × 1
- USB ケーブル (5m) × 1
- マイクケーブル (5m) × 1
- クイックスタートガイド (本書) × 1
- 保証書 × 1

本書の表記について

■略称について

本書ではそれぞれの製品について、以下のように略称で記載しています。

- Yamaha YVC-1000 : 本製品
- Microsoft® Windows® : Windows
- macOS® : macOS

■商標について

- Microsoft、Windows は米国 Microsoft 社の米国およびその他の国における登録商標です。
- Mac、macOS は、Apple Inc. の登録商標です。
- Android™ は、Google Inc. の商標あるいは登録商標です。
- Bluetooth® は、Bluetooth SIG の登録商標でありヤマハはライセンスに基づき使用しています。
- NFC ロゴ (N-Mark) は、NFC Forum, Inc. の商標あるいは登録商標です。

本書以外の説明書もご覧ください

本書は基本的な情報のみを記載しています。

詳しい使い方については、以下の説明書も合わせてご覧ください。

取扱説明書：詳しい設定や便利な機能など、本製品を活用するための情報を記載しています。

弊社 Web サイトのダウンロードページから最新の取扱説明書をダウンロードしてください。

また、通信機器の設定方法については、通信機器の取扱説明書をご覧ください。

最新の機能を利用する

弊社 Web サイトのダウンロードページからファームウェア（本製品のプログラム）をダウンロードして、最新の機能をご利用いただけます。

■ダウンロードページ

<https://sound-solution.yamaha.com/download/>

オープンソースソフトウェアの使用について

本製品はオープンソースソフトウェアを使用しています。

ライセンス条文は取扱説明書に記載しています。

本製品のお客さまサポートについて（サポート規定）

ヤマハ株式会社は、お客様が本製品を快適にご利用いただけますように、また本製品の性能、機能を最大限に活用していただけますように、以下の内容、条件でサポートをご提供します。

1. サポート方法

- ① FAQ、技術情報、設定例、ソリューション例などの Web 掲載
- ② 電話でのご質問への回答
- ③ お問い合わせフォームからのご質問への回答
- ④ カタログ送付
- ⑤ 代理店・販売店からの回答

ご質問内容によっては代理店・販売店へご質問内容を案内し、代理店・販売店よりご回答させていただく場合がありますのであらかじめご了承のほどお願い致します。

2. サポート項目

- ① 製品仕様について
- ② お客様のご利用環境に適した弊社製品の選定について
- ③ 簡易な構成での利用方法について
- ④ 製品の修理について
- ⑤ 代理店または販売店のご紹介

3. 免責事項・注意事項

- ① 回答内容につきましては正確性を欠くことのないように万全の配慮をもって行いますが、回答内容の保証、及び回答結果に起因して生じるあらゆる事項について弊社は一切の責任を負うことはできません。また、サポートの結果又は製品をご利用いただいたことによって生じたデータの消失や動作不良などによって発生した経済的損失、その対応のために費やされた時間的・経済的損失、直接的か間接的かを問わず逸失利益などを含む損失及びそれらに付随的な損失などのあらゆる損失について弊社は一切の責任を負うことはできません。

なお、これらの責任に関しては弊社が事前にその可能性を知らされていた場合でも同様です。ただし、契約及び法律でその履行義務を定めた内容は、その定めるところを遵守するものと致します。

- ② ファームウェアの修正は弊社が修正を必要と認めたものについて生産終了後 2 年間行います。
- ③ 質問受付対応、修理対応は生産終了後 5 年間行います。
- ④ 期日・時間指定のサポート、日本語以外でのサポートは行っていません。
- ⑤ お問い合わせの回答を行うにあたって、必要な情報のご提供をお願いします。情報のご提供がない場合は適切なサポートができない場合があります。
- ⑥ 再現性がない、及び特殊な環境でしか起きないなどの事象に関しては、解決のための時間がかかったり適切なサポートが行えない場合があります。
- ⑦ 他社サービス、他社製品、及び他社製品との相互接続に関するサポートは弊社 Web 上に掲載している範囲に限定されます。
- ⑧ やむを得ない事由により本製品の返品・交換が生じた場合は、ご購入店経由となります。なお、返品・交換に際しましてはご購入店、ご購入金額を証明する証憑が必要となります。
- ⑨ 製品の修理は代理店・販売店経由で受付けさせていただきます。弊社への直接持ち込みはできません。また、着払いでの修理品受付は致しておりません。発送は弊社指定の通常宅配便（国内発送のみ）にて行わせていただきます。修理完了予定期間は変更になる場合がありますのでご了承のほどお願い致します。なお、保証期間中の無料修理（無料例外事項）などの詳細規定は保証書に記載しております。
- ⑩ 上記サポート規定は予告なく変更されることがあります。

サポート窓口のご案内

本製品に関するご質問やお問い合わせは、下記へご連絡ください。

■音声コミュニケーション機器お客様ご相談センター

TEL：03-5651-1838

ご相談受付時間

9：00～12：00、13：00～17：00

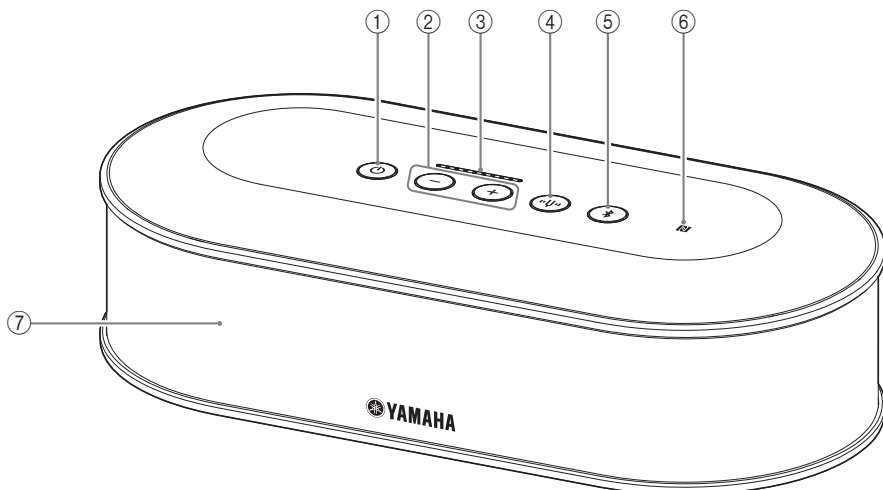
（土・日・祝日、弊社定休日、年末年始は休業とさせていただきます）

■お問い合わせページ

<https://sound-solution.yamaha.com/support/uc/>

各部の名称とはたらき

本体 (YVC-CTU1000)



① 電源ボタン / インジケーター

本製品を電源オンにする際に押します。電源オンからスタンバイ状態にするときは2秒以上押します。スタンバイ状態のときは赤色に点灯します。電源オンになると緑色に点灯します。

② 音量＋ボタン / インジケーター

スピーカーの音量を調整する際に押します。0.5秒以上押しと連続して音量を上げ下げできます。また、音量＋ボタンを同時に2秒以上押しと、内蔵スピーカーおよび外部スピーカーの出力選択ができます。

③ レベルインジケーター

通常時は通話先からの音声の入力レベルを表示します。スピーカー音量の調整時またはスピーカー出力の選択時は設定内容を表示します。

④ 音叉ボタン / インジケーター

問題があった場合はオレンジ色に点灯または点滅します。このとき音叉ボタンを押すと、検出された問題点を音声ガイドですでに通知します。2秒以上押しと、音響状態を自動で測定し、音響設定を最適な状態に調整します（自動音響調整）。

⑤ Bluetooth ボタン / インジケーター

Bluetooth対応スマートフォンやタブレットとペアリングや接続する際に押します。Bluetooth接続中は、このボタンを押すとBluetoothが切断されます。

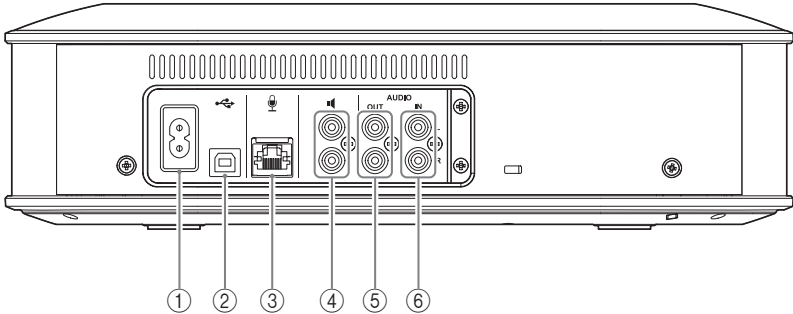
⑥ NFC ロゴ (N-Mark)

NFC（近距離無線通信）機能搭載のBluetooth対応スマートフォンやタブレットをここに近づくと本製品とペアリングや接続、切断ができます。

⑦ 内蔵スピーカー

通話先からの音声を出力します。

本体 (YVC-CTU1000) : 背面



① 電源端子

付属の電源ケーブルを接続します。

② USB ポート

付属の USB ケーブルで PC や Mac と接続します。

③ マイク端子

付属のマイクとマイクケーブルで接続します。

④ 外部スピーカー端子

アンプ内蔵のスピーカーと接続します。

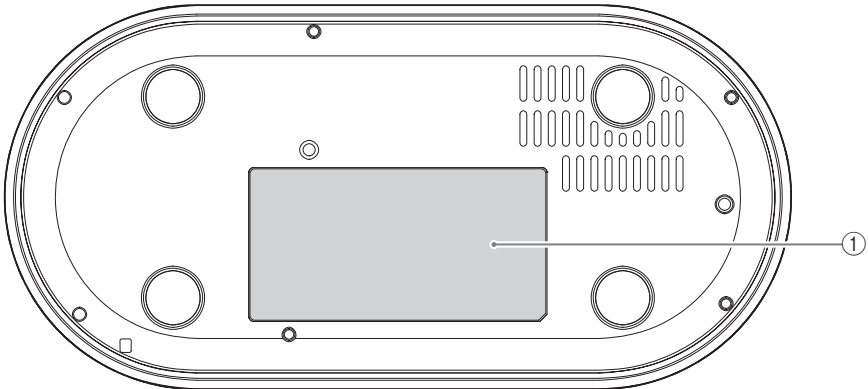
⑤ オーディオ出力端子 (AUDIO OUT)

ビデオ会議システムのオーディオ入力端子に接続します。

⑥ オーディオ入力端子 (AUDIO IN)

ビデオ会議システムのオーディオ出力端子に接続します。

本体 (YVC-CTU1000) : 底面



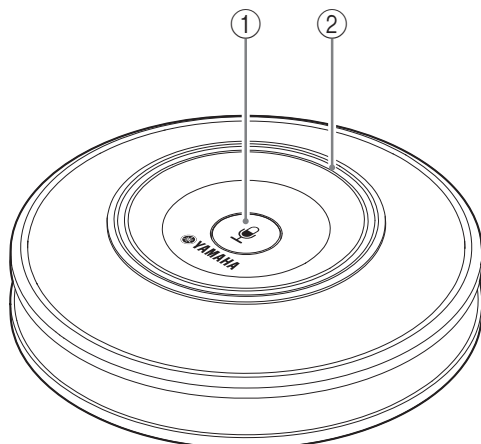
① 銘板

以下の情報が記載されています。

Model No. : 本製品の機器名が記載されています。

SERIAL LABEL : 製品を管理 / 区分するための製造番号 (シリアル番号) が記載されています。

マイク (YVC-MIC1000)



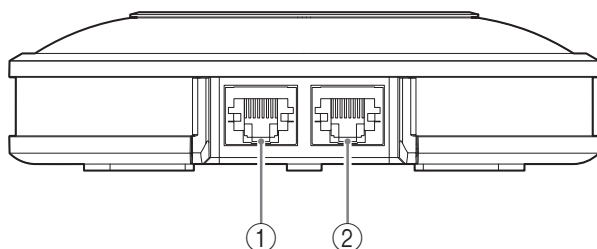
① マイクミュートボタン

マイクを一時的に停止 (ミュート) する際に押します。もう一度押すとミュートは解除されます。

② マイクステータスインジケータ

マイクが有効のときは緑色に点灯します。マイクミュート時は赤色に点滅します。

マイク (YVC-MIC1000) : 側面



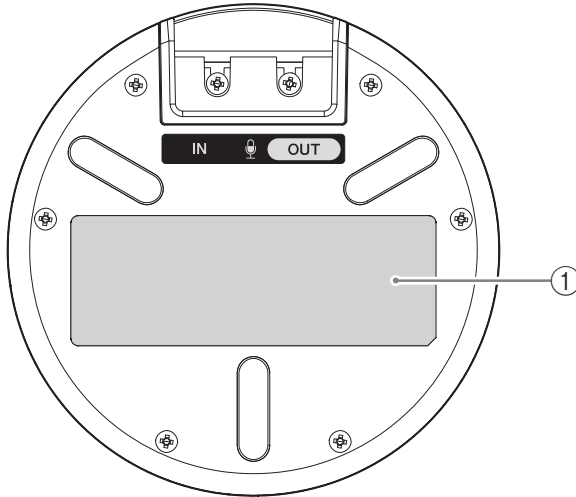
① 入力端子 (IN)

オプションのマイク (YVC-MIC1000EX) とマイクケーブルで接続します。

② 出力端子 (OUT)

本体とマイクケーブルで接続します。

マイク (YVC-MIC1000) : 底面



① 銘板

以下の情報が記載されています。

Model No. : 本製品の機器名が記載されています。

SERIAL LABEL : 製品を管理 / 区分するための製造番号 (シリアル番号) が記載されています。

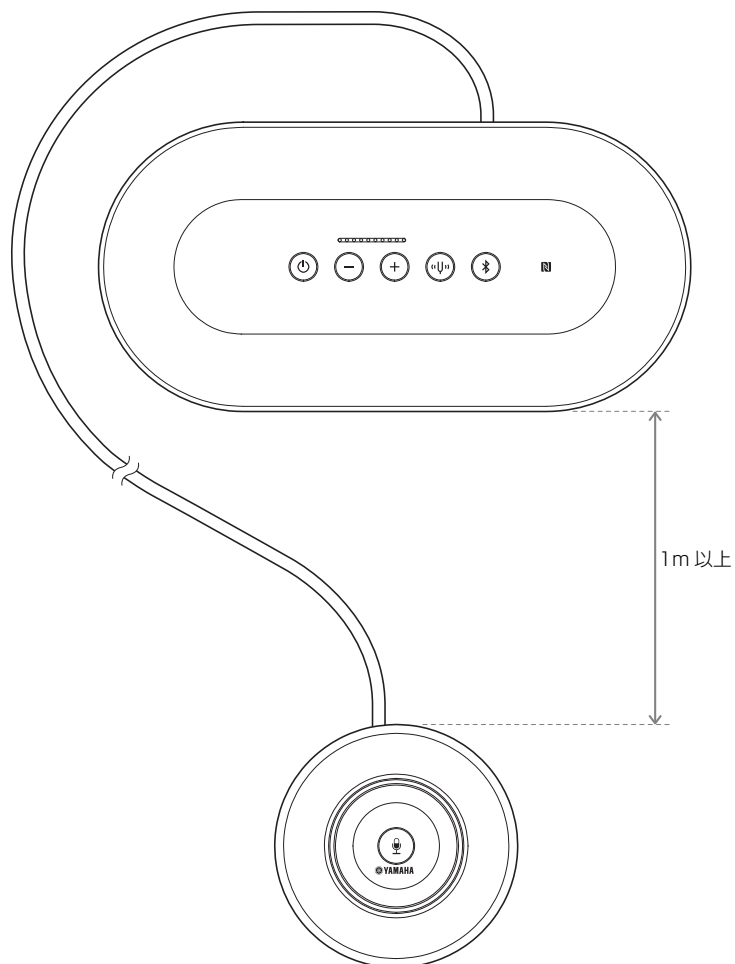
本製品を準備する

設置する

本製品を使用する場所に設置します。

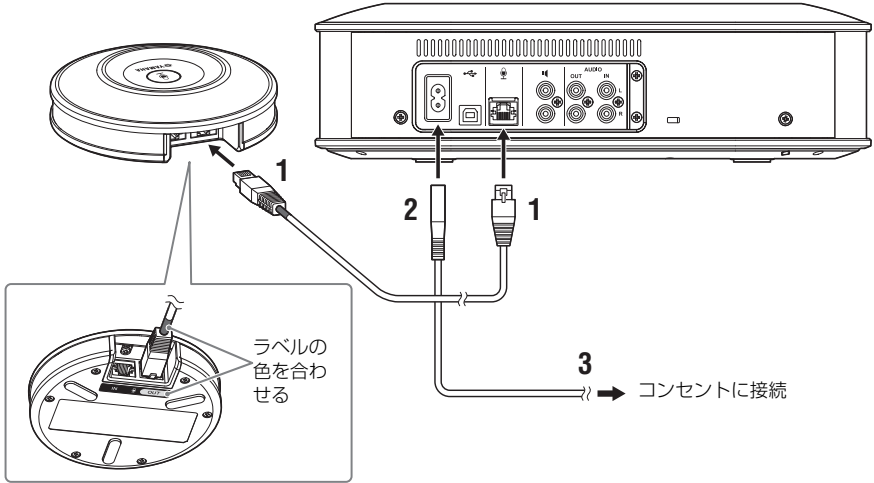
設置上の注意

- 本体とマイクは 1m 以上離して設置してください。
- マイクは雑音源から離して設置してください。



マイクケーブル、電源ケーブルを接続する

本製品に付属のマイクケーブル、電源ケーブルを接続します。



ご注意

- マイクケーブルを接続するときは、マイクケーブルとマイクの出力端子 (OUT) のラベルの色を合わせてください。
- 電源ケーブルは、本体の電源端子とコンセントに根元まで確実に差し込んでください。

※ ヒント

本製品に付属のマイクとオプションのマイク (YVC-MIC1000EX) を合わせて 5 台まで接続できます (詳しくは取扱説明書をご覧ください)。

設定する

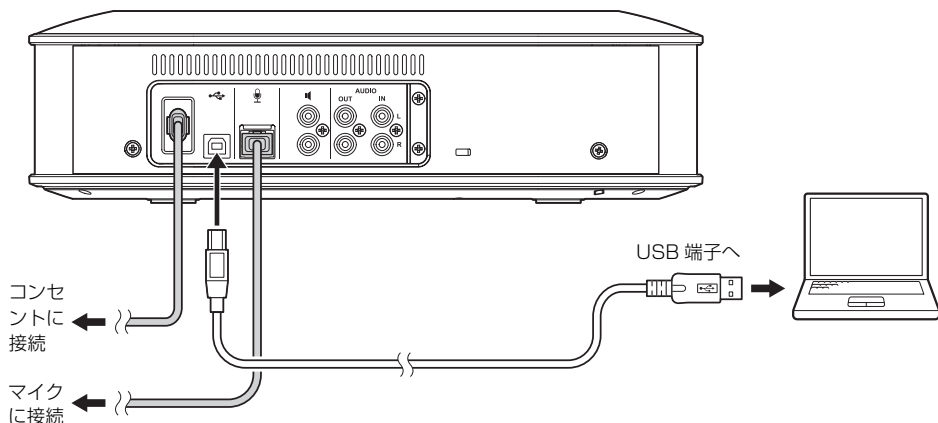
音声ガイダンスの言語を切り替える

音叉ボタン (🔊) を押しながら、音量 + ボタン (+) を繰り返し押してください。音量 + ボタン (+) を押すたびに言語が切り替わります。

詳しい使い方は取扱説明書をご覧ください。

通信機器と接続する

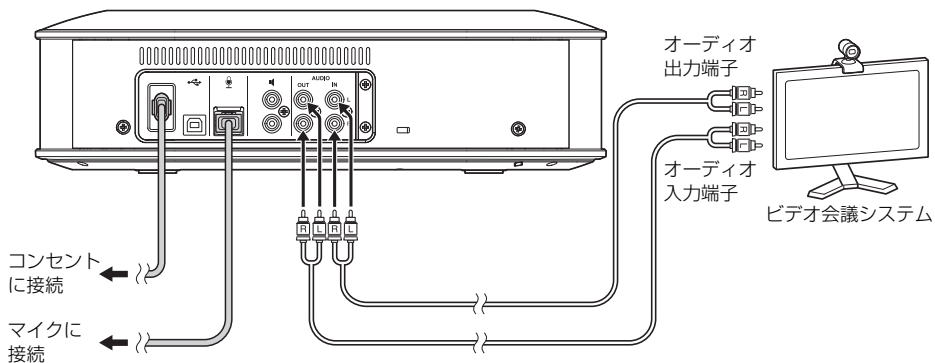
PC または Mac と USB ケーブルで接続する



接続後に本製品の電源をオンして、PC または Mac が本製品を正しく認識していることを確認してください。

詳しい使い方は取扱説明書をご覧ください。

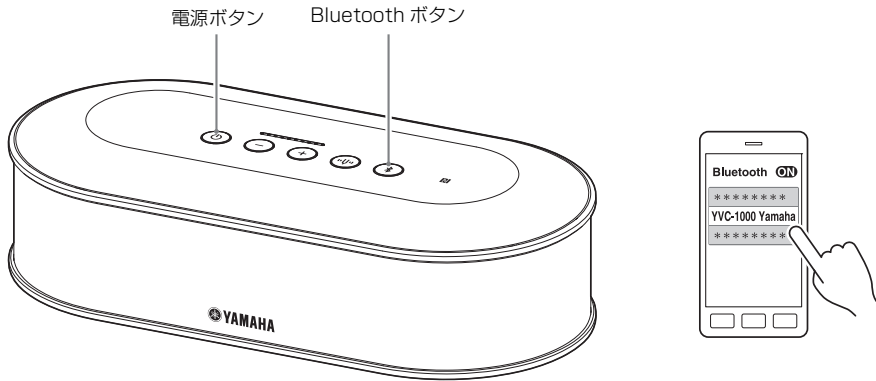
ビデオ会議システムとオーディオケーブルで接続する



接続後に、本製品がマイクおよびスピーカーとして使用されるように、ビデオ会議システムの設定を変更してください。

詳しい使い方は取扱説明書をご覧ください。

スマートフォンまたはタブレットと Bluetooth 接続する



■ペアリングする

1. 電源ボタンを押して、本製品の電源をオンにする。
2. Bluetooth ボタン を押す。
Bluetooth ボタンが青色に点滅します。
3. Bluetooth ボタンを 2 秒以上押す。
Bluetooth ボタンが青色の高速点滅に変わり、ペアリング可能状態になります。
4. スマートフォンまたはタブレットでペアリング操作をする。

■ペアリング済みのスマートフォンまたはタブレットと Bluetooth 接続する

1. 電源ボタンを押して、本製品の電源をオンにする。
2. Bluetooth ボタンを押す。
Bluetooth ボタンが青色に点滅し、Bluetooth 接続可能状態になります。
3. スマートフォンまたはタブレットで Bluetooth 接続操作をする。
接続が完了すると、青色の点灯に変わります。

詳しい使い方は取扱説明書をご覧ください。

主な仕様

総合

| | |
|-----------------|---|
| 外部インターフェース： | 本体：USB 2.0 High Speed、Bluetooth、NFC（近距離無線通信）、オーディオ入力端子（ステレオ RCA ピン）、オーディオ出力端子（ステレオ RCA ピン）、外部スピーカー端子（RCA ピン）× 2、電源端子、マイク端子 マイク：入力端子、出力端子 |
| 最大消費電力： | 20W（マイク 1 台接続時）、35W（マイク 5 台接続時） |
| 動作環境： | 温度：0～40℃ 湿度：20～85%（結露しないこと） |
| 保管環境： | 温度：-20～+50℃ 湿度：10～90%（結露しないこと） |
| 寸法： | 本体：332(W) × 95(H) × 162(D) mm マイク：136(W) × 36(H) × 136(D) mm |
| 質量： | 本体：1.8kg マイク：0.4kg |
| 電源： | AC100V（50/60Hz） |
| PC/Mac 動作環境： | OS：Windows（*1）、macOS（*1） USB：USB 2.0 以降 |
| Bluetooth： | Bluetooth バージョン：Ver.2.1+EDR 対応プロファイル：HFP(1.6)、A2DP 対応コーデック：SBC、mSBC、CVSD 無線出力：Class2 最大通信距離：10m 無線周波数（動作周波数）：2,402MHz～2,480MHz 最大出力電力（EIRP）：4.0dBm（2.5mW） |
| NFC： | 対応機種：NFC 対応 Android 機器 |
| 音声ガイダンス： | 英語、日本語、中国語、韓国語、フランス語、スペイン語、ドイツ語 |
| 付属品： | 電源ケーブル（3m）、USB ケーブル（5m）、マイクケーブル（5m）、クイックスタートガイド、保証書 |
| その他： | ファームウェアアップデート（PC より USB で転送） |

(*1) 対応バージョンは、下記のウェブサイトに掲載しています。
<https://sound-solution.yamaha.com/products/uc/>

オーディオ

マイクユニット： 単一指向性 × 3

スピーカーユニット： フルレンジ × 1

信号処理： 適応型エコーキャンセラー、ノイズリダクション、マイク自動追尾、オートゲイン
コントロール、オートルーム EQ、残響抑圧、自動音響調整

目录

| | | | |
|------------------------------|----|-----------------------------|----|
| 安全须知 | 2 | 使用设置 | 13 |
| 使用须知 | 4 | 安装 | 13 |
| 关于蓝牙 (Bluetooth®) | 5 | 连接麦克风和电源线缆 | 14 |
| 铭牌位置 | 6 | 设定 | 14 |
| 介绍 | 7 | 切换语音提示的语言 | 14 |
| 检查内容 | 7 | 连接通讯设备 | 15 |
| 关于本手册 | 7 | 使用 USB 缆线连接至 PC 或 Mac | 15 |
| 除本手册之外, 请阅读其它 | | 使用音频电缆连接至视频会议系统 | 15 |
| 使用说明书 | 8 | 经蓝牙连接至智能手机或平板电脑 | 16 |
| 使用最新功能 | 8 | 规格 | 17 |
| 使用开源软件 | 8 | 常规 | 17 |
| 控制装置和功能 | 9 | 音频 | 18 |
| 控制终端 (YVC-CTU1000) | 9 | | |
| 控制终端 (YVC-CTU1000): 背面 | 10 | | |
| 控制终端 (YVC-CTU1000): 底部 | 10 | | |
| 麦克风 (YVC-MIC1000) | 11 | | |
| 麦克风 (YVC-MIC1000): 侧面 | 11 | | |
| 麦克风 (YVC-MIC1000): 底部 | 12 | | |

安全须知

- 1 在以下任何情况下，请立即从插座上拔下电源插头。
未遵循此项可能会导致火灾或触电。请确保让相关经销商执行必要的维修或检查。
 - 出现任何异味或噪音；
 - 冒烟；
 - 本产品损坏；或
 - 本产品暴露在水中。
- 2 切勿损坏电源缆线。未遵循此项可能会导致火灾、触电或损坏本产品。
 - 切勿将任何重物置于缆线上。
 - 切勿用任何方式处理缆线。
 - 切勿使用任何订书钉将缆线固定于一处。
 - 切勿对缆线用力过大。
 - 确保使缆线远离热源。
- 3 请确保只使用附带的电源缆线。未遵循此项可能会导致火灾、触电或损坏本产品。
- 4 请确保只使用指定的电源电压。未能遵守此项可能会导致火灾、触电或损坏本产品。
- 5 将电源插头连接至您触手可及的插座，从而确保在必要时可以轻松将其拔除。
- 6 请确保将电源插头完全且牢固地插入插座。不完全插入可能会导致触电。这还可能会导致插头上积聚灰尘，从而可能会导致发热或火灾。
- 7 请确认插座或电源板的电流容量以确保本产品的使用不会超出其限制。电源板的过热或老化可能会导致火灾。
- 8 请勿用手指或金属物体触碰端口。
未遵循此项可能会导致触电或损坏本产品。
- 9 请确保本产品不会跌落或受到强烈撞击。内部元件可能会损坏，从而导致触电、火灾或损坏本产品。
- 10 如果本产品已损坏，则请求经销商进行维修或检查。
继续使用本产品可能会导致火灾或触电。
- 11 请勿以任何方式拆卸或改装本产品。
未遵循此项可能会导致火灾、触电或损坏本产品。
- 12 请勿阻碍散热。
 - 请勿在本产品上放置衣服、桌布或此类物体。
 - 请勿将本产品放置在毛毯和地毯等表面上。
 - 请勿将本产品挤放在通风不良的狭窄空间内。
 - 请勿阻挡通风孔。
 本产品的允许通风空间至少为顶部 1 cm、左右各 1 cm 及背部 5 cm。
未遵循上述要求可能会导致热量积聚在本产品内，从而造成火灾或本产品损坏。
- 13 请勿将本产品放置在室外或可能会受水淋的场所。
未遵循此项可能会导致火灾、触电或损坏本产品。
- 14 请勿将本产品安装在易受灰尘、湿气、油烟、蒸汽或腐蚀性气体影响的地方。
未遵循此项可能会导致火灾、触电或损坏本产品。
- 15 请确保本产品保持水平。
请勿上下颠倒或垂直放置。未遵循此项可能会导致火灾、触电或损坏本产品。
- 16 避免将本设备安装在异物可能会跌落在本设备上和 / 或本设备可能会受到液体滴溅的场所。请勿在本设备顶部放置以下物体：
 - 其它组件，因其可能会导致本机表面损坏和 / 或变形。
 - 点燃物（如蜡烛等），因其可能会导致火灾、损坏本设备和 / 或人身伤害。
 - 含有液体的容器，因其可能会跌落且液体可能会导致使用者触电和 / 或损坏本产品。
- 17 请勿将金属或纸张等异物插入本产品。
未遵循此项可能会导致火灾、触电或损坏本产品。
- 18 如果听到雷声，请勿触碰本产品。
未遵循此项可能会导致触电。
- 19 请定期清除电源插头上的污渍和灰尘。
未遵循此项可能导致火灾。
- 20 本产品应远离心脏起搏器至少 22 cm 处使用。
未遵循此项可能会影响心脏起搏器，从而导致严重事故。

- 21 请勿在医疗设备附近使用本产品。本产品发出的无线电波可能会对电子医疗设备的操作产生不利影响。请勿在限制无线电波的场所（如医疗设备等附近）使用本产品。
- 22 避免损坏 USB 和麦克风缆线。
 - 请勿在缆线上放置重物。
 - 请勿改装缆线。
 - 请勿用图钉固定缆线。
 - 请勿对缆线用力过大。
 - 请勿将缆线放置在热源附近。否则可能会导致火灾、触电或本产品损坏。
- 23 请务必使用随本产品附带的 USB 和麦克风缆线。
使用其它 USB 或麦克风缆线可能会导致火灾、触电或损坏本产品。
- 24 不打算长期使用本产品时，请务必拔出所有电源插头。
未遵循此项可能会导致火灾或触电。
- 25 连接或断开连接电源插头或缆线时，请保持手部干燥。
未遵循此项可能会导致触电或损坏本产品。
- 26 切勿将本产品安装在不平稳或易受震动的地方，否则可能会跌落或倒置，从而导致人身伤害或损坏本产品。
- 27 切勿将本产品安装在易受阳光直射或极高温度（电热器等附近）的地方。未遵循此项可能会导致本产品损坏。
- 28 请勿坐 / 站立于本产品上或在本产品顶部放置其它物体。
未遵循此项可能会导致本产品损坏。
- 29 在开始播放前，请将音量调至最低。
未遵循此项会引起可能导致听力受损的高分贝噪音。
- 30 切勿在本产品会受环境温度骤变影响的场所使用本产品。环境温度的任何骤变可能会导致湿气凝结在本产品上，从而可能会导致产品损坏。如果出现湿气凝结，请在本产品电源关闭的情况下将其搁置一段时间直至其完全干燥。
- 31 当电源开启时，切勿连接任何缆线。未遵循此项可能会导致本产品和所连接的设备损坏。
- 32 在触碰本产品前，请确保将身体或衣服上的静电接地。未遵循此项可能会导致本产品损坏。
- 33 正确排布和连接缆线。
如果缆线被扯拉或被脚绊住，则本产品或连接的设备可能会倾倒或跌落，从而造成人身伤害或产品损坏。
- 34 在连接外部设备之前，请仔细阅读随本设备提供的使用说明书，并根据指示连接。

1

- 使用频率: 2.4 - 2.4835 GHz
 - 等效全向辐射功率 (EIRP): 天线增益 < 10dBi 时: $\leq 100 \text{ mW}$ 或 $\leq 20 \text{ dBm}$
 - 最大功率谱密度: 天线增益 < 10dBi 时: $\leq 20 \text{ dBm / MHz(EIRP)}$
 - 载频容限: 20 ppm
 - 带外发射功率 (在 2.4-2.4835GHz 频段以外) $\leq -80 \text{ dBm / Hz (EIRP)}$
 - 杂散发射 (辐射) 功率 (对应载波 ± 2.5 倍信道带宽以外):
 - $\leq -36 \text{ dBm / 100 kHz (30 - 1000 MHz)}$
 - $\leq -33 \text{ dBm / 100 kHz (2.4 - 2.4835 GHz)}$
 - $\leq -40 \text{ dBm / 1 MHz (3.4 - 3.53 GHz)}$
 - $\leq -40 \text{ dBm / 1 MHz (5.725 - 5.85 GHz)}$
 - $\leq -30 \text{ dBm / 1 MHz (其它 1 - 12.75 GHz)}$
- 2 不得擅自更改发射频率、加大发射功率 (包括额外加装射频功率放大器), 不得擅自外接天线或改用其它发射天线;
- 3 使用时不得对各种合法的无线电通信业务产生有害干扰; 一旦发现有害干扰现象时, 应立即停止使用, 并采取措施消除干扰后方可继续使用;
- 4 使用微功率无线电设备, 必须忍受各种无线电业务的干扰或工业、科学及医疗应用设备的辐射干扰;
- 5 不得在飞机和机场附近使用。

保护环境

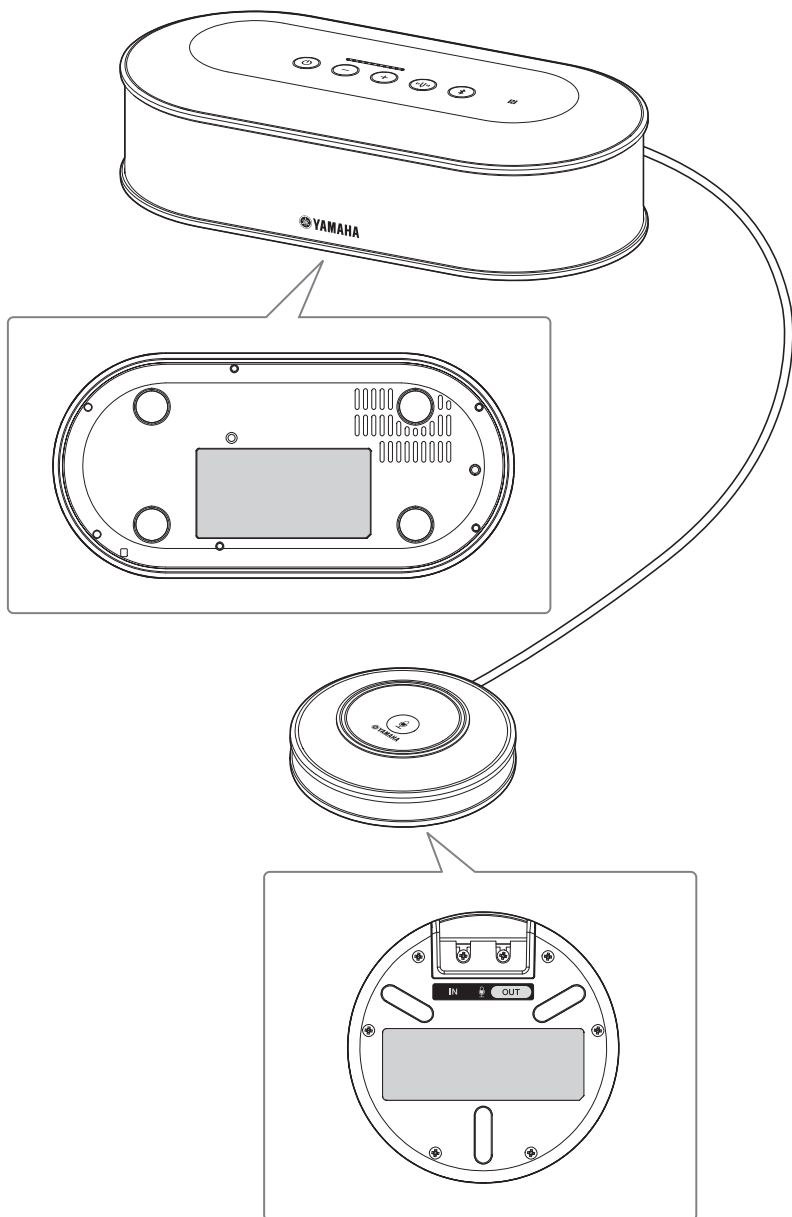
如果需要废弃设备时, 请与本地相关机构联系, 获取正确的废弃方法。请勿将设备随意丢弃或作为生活垃圾处理。

关于蓝牙 (Bluetooth®)

- 蓝牙是一种采用 2.4 GHz 的可未经授权使用的频段的无线通讯技术。
- 蓝牙兼容设备使用的 2.4 GHz 频段是一个许多类型的设备共用的无线电频段。虽然蓝牙兼容设备所采用的技术已尽可能减少其他使用相同无线电频段装置的影响, 但是, 这种影响还可能会降低通讯速度或距离, 在某些情况下中断通讯。
- 信号传递速度和通讯可能进行的距离取决于通讯设备的距离、是否有障碍物、无线电波的状态和设备的类型等因素。
- 所以, Yamaha 不能保证在本产品和蓝牙兼容的其他设备之间的无线连接畅通无阻。

铭牌位置

铭牌位于控制终端和麦克风的底部。



介绍

感谢您购买 Yamaha YVC-1000。YVC-1000 是一套统一通信全向麦克风和扬声器组合，作为连接 PC 或 Mac、智能手机或平板电脑以及视频会议系统等通讯设备时的音频终端。在安装和连接本产品之前，请仔细阅读本手册。将本手册存放在安全的地方以备将来参考。

- 未经 Yamaha 许可，不得以任何形式复制或使用本手册的任何部分。
- 本使用说明书的内容为出版时最新的技术规格。请至以下网站下载最新版本的使用说明书。
<https://www.yamaha.com/products/zh/communication/support/>
- Yamaha 不对使用本产品造成的任何损失或损害承担任何责任。请注意，保修仅包含本产品的维修。

检查内容

- 控制终端（YVC-CTU1000）x 1
- 麦克风（YVC-MIC1000）x 1
- 电源缆线（3 m）x 1
- USB 缆线（5 m）x 1
- 麦克风缆线（5 m）x 1
- 快捷启动指南（本手册）x 1

关于本手册

■ 关于缩写词

在本手册中，产品名称的表述如下：

- Yamaha YVC-1000: 本设备
- Microsoft® Windows®: Windows
- macOS®: macOS

■ 关于商标

- Microsoft 和 Windows 是 Microsoft Corporation 在美国和其它国家的注册商标。
- Mac、macOS 是 Apple Inc. 的注册商标。
- Android™ 是 Google Inc. 的商标或注册商标。
- 蓝牙（Bluetooth®）是 Bluetooth SIG 的注册商标，由 Yamaha 根据许可协议使用。
- NFC 标识（N-Mark）是 NFC Forum, Inc. 的商标或注册商标。

除本手册之外，请阅读其它使用说明书

本手册仅包含基础信息。

有关如何使用本设备的详细信息，请阅读以下内容：

用户手册：包含有关使用本设备的信息，包括详细设置和有用功能。

请从我们网站的下载页面下载最新的用户手册。

若要配置通讯设备的设置，请参阅随本设备提供的使用说明书。

使用最新功能

您可从我们网站的下载页面下载固件（本产品程序）以使用最新功能。

■ 下载页面

<https://www.yamaha.com/products/zh/communication/support/>

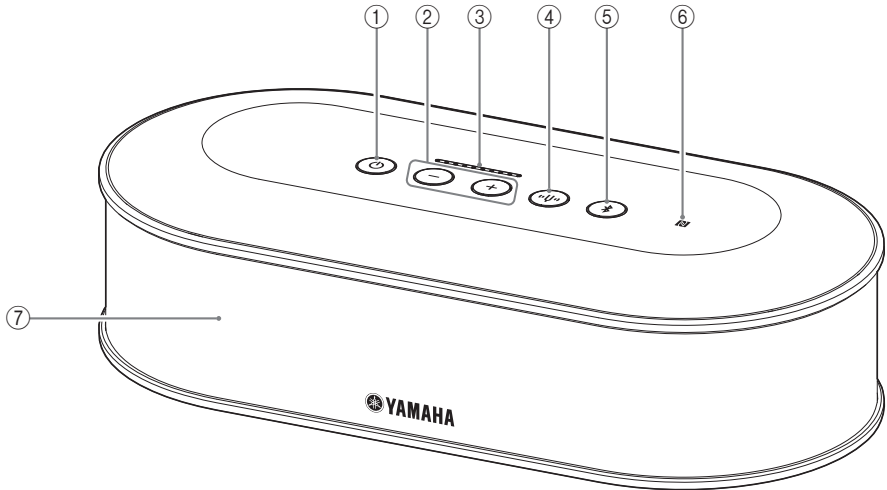
使用开源软件

本产品使用开源软件。

许可内容包含在用户手册内。

控制装置和功能

控制终端 (YVC-CTU1000)



① 电源按钮 / 指示灯

按下开启本设备。按下电源按钮两秒或两秒以上将进入待机模式。当本产品处于开启状态时亮起绿色，而在待机模式中亮起红色。

② 音量 +/- 按钮 / 指示灯

按下调节扬声器的音量。按住合适的按钮 0.5 秒或更长时间将持续提高或降低音量。同时按住 + 和 - 按钮两秒或两秒以上将在内置和外部扬声器之间切换输出设备。

③ 音量指示灯

通常指示呼入语音的输入音量。指示调节扬声器音量或选择输出扬声器时的设置。

④ 音叉按钮 / 指示灯

如果出现故障，则会亮起或闪烁橙色。如果指示有故障，请按音叉按钮启用有关所检测故障的语音提示。

当按住两秒钟或以上时间时，本设备会自动测量声学条件并使音频设置调整至最佳条件（自动音频调整）。

⑤ 蓝牙按钮 / 指示灯

按下配对或连接蓝牙兼容的智能手机或平板电脑。

如果在连接了蓝牙设备时按下该按钮，则蓝牙将会断开连接。

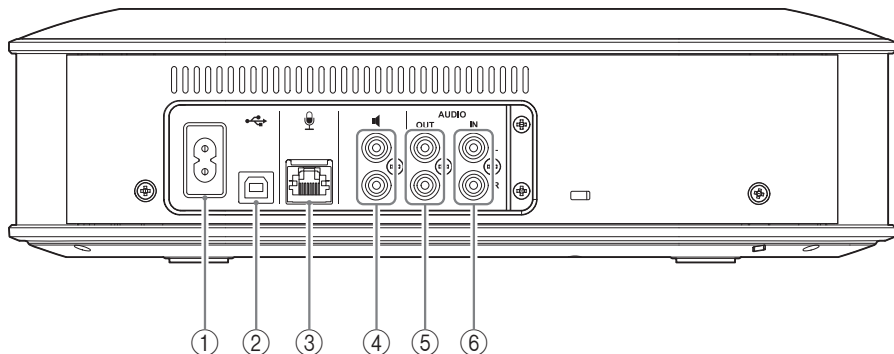
⑥ NFC 标识 (N-Mark)

将配备 NFC（近场通讯）的蓝牙兼容智能手机或平板电脑放置在 N-Mark 上可供您配对或连接本设备或者断开连接。

⑦ 内置扬声器

输出呼入语音。

控制终端 (YVC-CTU1000): 背面



① 电源端口

用于连接附带的电源缆线。

② USB 端口

用于使用附带的 USB 缆线将本产品连接至 PC 或 Mac。

③ 麦克风端口

用于使用麦克风缆线连接附带的麦克风。

④ 外部扬声器端口

用于连接带有内置放大器的扬声器。

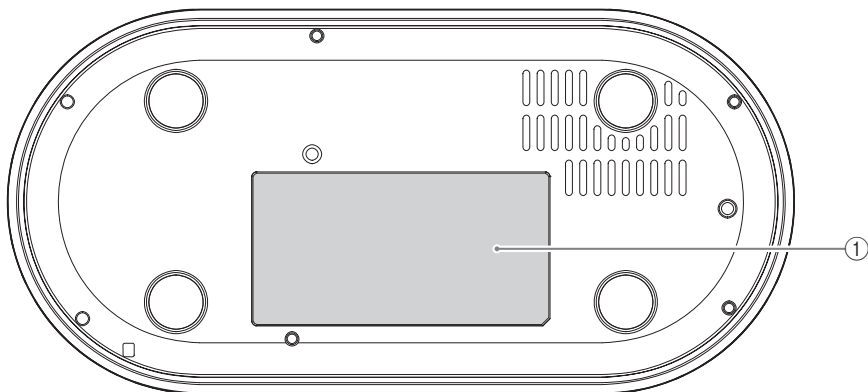
⑤ 音频输出端口 (AUDIO OUT)

用于连接视频会议系统的音频输入端口。

⑥ 音频输入端口 (AUDIO IN)

用于连接视频会议系统的音频输出端口。

控制终端 (YVC-CTU1000): 底部



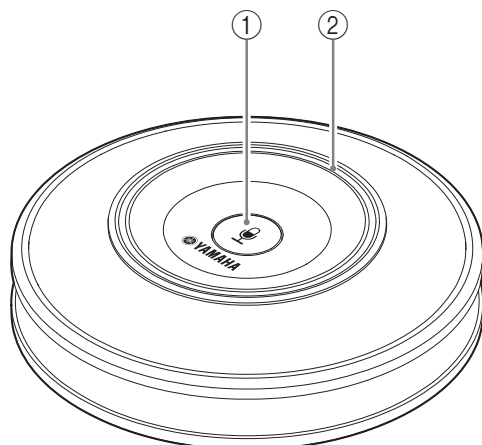
① 铭牌

提供以下信息。

Model No. (型号): 本设备的型号

SERIAL LABEL: 本设备的序列号

麦克风 (YVC-MIC1000)



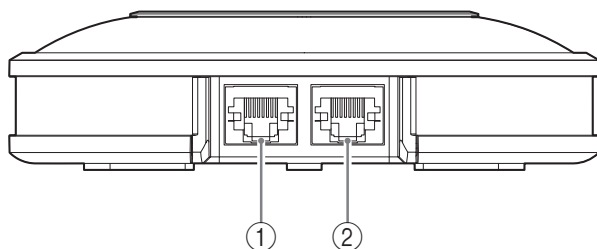
① 麦克风静音按钮

按下暂时关闭（静音）麦克风。若要取消静音功能，则再按该按钮。

② 麦克风状态指示灯

当麦克风开启时亮起绿色。当麦克风设置为静音时闪烁红色。

麦克风 (YVC-MIC1000)：侧面



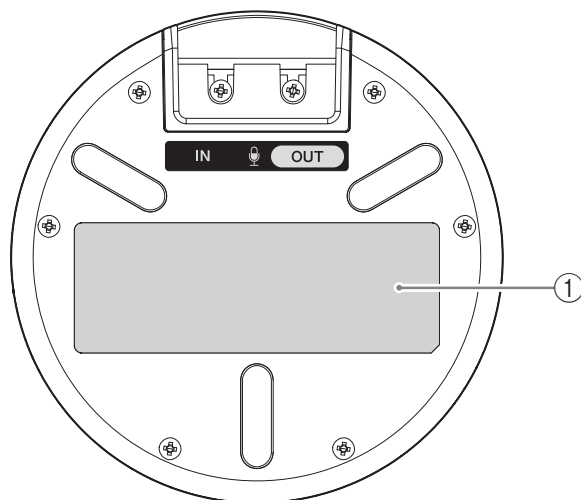
① 输入端口 (IN)

使用麦克风缆线连接选购的麦克风 (YVC-MIC1000EX)。

② 输出端口 (OUT)

使用麦克风缆线连接控制终端。

麦克风 (YVC-MIC1000): 底部



① 铭牌

提供以下信息。

Model No. (型号): 本设备的型号

SERIAL LABEL: 本设备的序列号

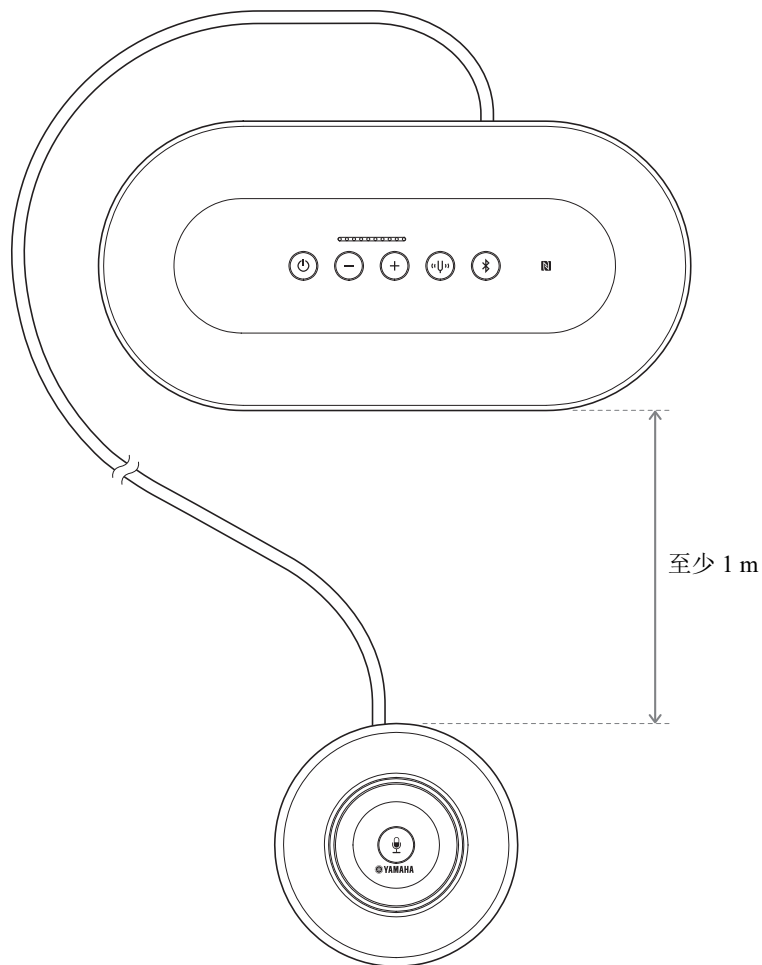
使用设置

安装

将本产品安装在要使用的位置。

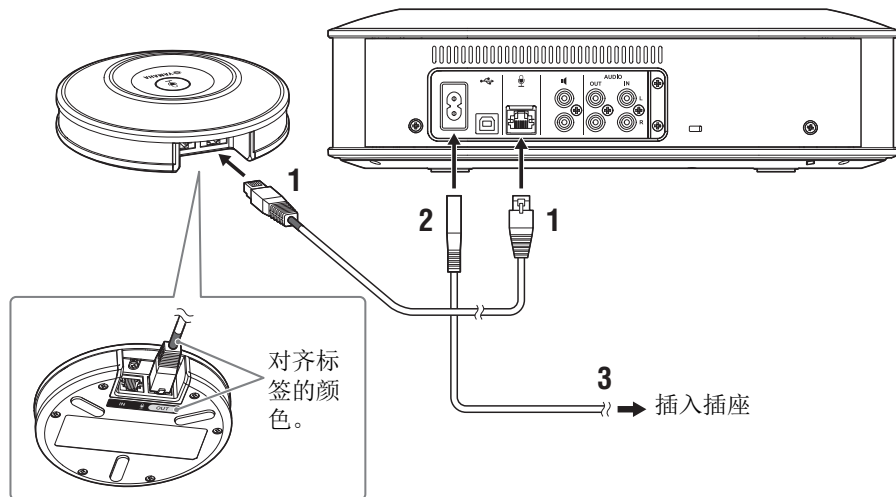
安装须知

- 将麦克风放置在离控制终端至少 1 m 远处。
- 使麦克风远离噪音源。



连接麦克风和电源缆线

连接随本产品附带的麦克风和电源缆线。



注意

- 当连接麦克风缆线时，请务必将麦克风缆线上的标签颜色与麦克风输出端口（OUT）对齐。
- 请务必将电源缆线完全插入控制终端的电源端口以及插座。

提示

包括附带的麦克风和选购的麦克风（YVC-MIC1000EX）在内总共可以将 5 个麦克风连接至本产品。（有关详细说明，请参阅用户手册。）

设定

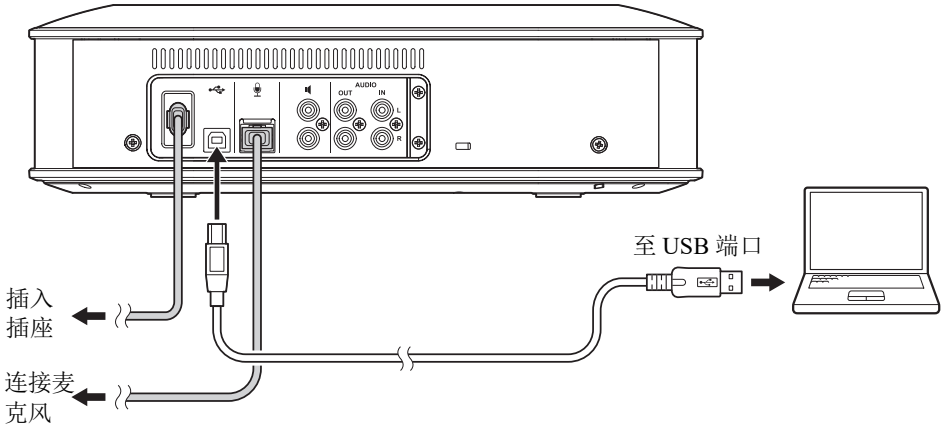
切换语音提示的语言

请在按住音叉按钮 (Ⓜ) 的同时，重复按下音量 + 按钮 (⊕)。每按下音量 + 按钮 (⊕) 一次，语言将切换一次。

有关详细说明，请参阅用户手册。

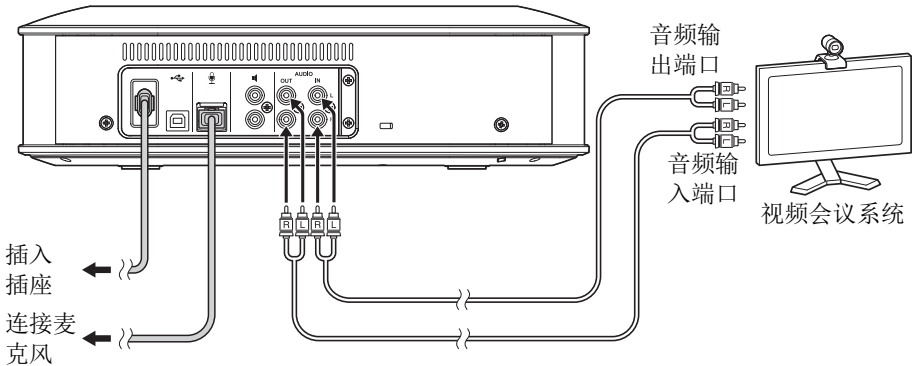
连接通讯设备

使用 USB 缆线连接至 PC 或 Mac



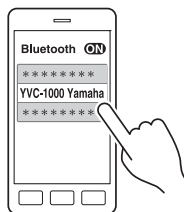
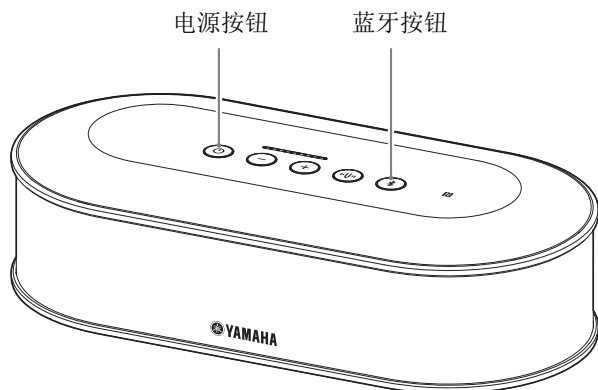
连接本产品之后，请打开本产品并确认其是否被 PC 或 Mac 正确识别。
有关详细说明，请参阅用户手册。

使用音频电缆连接至视频会议系统



在连接本产品后，更改视频会议系统的设置以便本产品作为麦克风和扬声器使用。
有关详细说明，请参阅用户手册。

经蓝牙连接至智能手机或平板电脑



■ 配对

- 1 按电源按钮打开本产品。
- 2 按蓝牙按钮。
蓝牙按钮闪烁蓝色。
- 3 按住蓝牙按钮两秒钟或以上时间。
蓝牙按钮快速闪烁蓝色表示可以进行配对。
- 4 使用智能手机或平板电脑进行配对步骤。

■ 经蓝牙连接至配对的智能手机或平板电脑

- 1 按电源按钮打开本产品。
- 2 按蓝牙按钮。
蓝牙按钮闪烁蓝色表示本产品可以经蓝牙进行连接。
- 3 使用智能手机或平板电脑进行蓝牙连接步骤。
当建立连接时，蓝牙按钮会亮起蓝色。

有关详细说明，请参阅用户手册。

规格

常规

| | |
|------------------------|--|
| 接口: | 控制终端: USB 2.0 高速, 蓝牙, NFC (近场通讯), 音频输入端口 (立体声 RCA 接头), 音频输出端口 (立体声 RCA 接头), 外部扬声器端口 (RCA 接头) x 2, 电源端口, 麦克风端口 麦克风: 输入和输出端口 |
| 功耗 (最大): | 20 W (连接 1 个麦克风时), 35 W (连接 5 个麦克风时) |
| 运行环境: | 温度: 0 至 40°C 湿度: 20 至 85% (无冷凝) |
| 存放环境: | 温度: -20 至 +50°C 湿度: 10 至 90% (无冷凝) |
| 尺寸: | 控制终端 (W x H x D): 332 x 95 x 162 mm 麦克风 (W x H x D): 136 x 36 x 136 mm |
| 重量: | 控制终端: 1.8 kg 麦克风: 0.4 kg |
| 电源: | 美国、加拿大机型: AC 120 V (60 Hz) 日本机型: AC 100 V (50/60Hz) 中国机型: AC 220 V (50 Hz) 韩国机型: AC 110/220 V (60 Hz) 英国、欧洲及俄罗斯机型: AC 220-240 V (50 Hz) |
| PC/Mac 操作环境: | 操作系统: Windows (注 1), macOS (注 1) USB: USB 2.0 或以上 |
| 蓝牙: | 蓝牙规格版本: 2.1 + EDR 支持的配置文件: HFP (1.6), A2DP 支持的编解码器: SBC, mSBC, CVSD 无线输出: 2 级 最大通讯距离: 10 m 无线电频率 (使用频率): 2,402 MHz ~ 2,480 MHz 最大输出功率 (EIRP): 4.0dBm (2.5mW) |
| NFC: | 兼容设备: 兼容 NFC 的 Android 设备 |
| 语音提示: | 英语、日语、中文、韩语、法语、西班牙语、德语 |
| 附件: | 电源缆线 (3 m), USB 缆线 (5 m), 麦克风缆线 (5 m), 快捷启动指南 |
| 其它: | 固件更新 (通过 USB 从 PC 传输) |

(注 1) 相应版本登载于以下网站。

<https://www.yamaha.com/products/zh/communication/>

音频

麦克风单元： 单指向性 x 3

扬声器单元： 全范围 x 1

信号处理： 适应型回声消除器，降噪，自动追踪，自动增益控制，自动房间均衡器，混响抑制，自动音频调整

목차

| | | | |
|--------------------------------|----|----------------------------|----|
| 안전 관련 주의 사항 | 2 | 사용을 위해 설정하기 | 12 |
| 사용 관련 주의 사항 | 4 | 설치 | 12 |
| Bluetooth®에 대하여 | 4 | 마이크로폰 및 전원 케이블 연결하기 | 13 |
| 명판 위치 | 5 | 설정하기 | 13 |
| 소개 | 6 | 음성 가이드의 언어 설정 | 13 |
| 내용물 확인 | 6 | 통신 장비에 연결하기 | 14 |
| 본 설명서 소개 | 6 | USB 케이블을 사용하여 PC 혹은 Mac 에 | |
| 본 설명서뿐 아니라 다른 지침 설명서도 | | 연결하기 | 14 |
| 읽어보시기 바랍니다 | 7 | 음향 케이블을 사용하여 비디오 컨퍼런스 시스 | |
| 최신 기능 사용하기 | 7 | 템에 연결하기 | 14 |
| 오픈 소스 소프트웨어 사용 | 7 | Bluetooth를 통해 스마트폰 혹은 타블렛에 | |
| 제어장치 및 기능 | 8 | 연결하기 | 15 |
| 컨트롤 유닛 (YVC-CTU1000) | 8 | 사양 | 16 |
| 컨트롤 유닛 (YVC-CTU1000): 후면 | 9 | 일반 | 16 |
| 컨트롤 유닛 (YVC-CTU1000): 하단 | 9 | 음향 | 17 |
| 마이크로폰 (YVC-MIC1000) | 10 | | |
| 마이크로폰 (YVC-MIC1000): 측면 | 10 | | |
| 마이크로폰 (YVC-MIC1000): 바닥 | 11 | | |

안전 관련 주의 사항

- 1 다음 경우가 발생할 경우 콘센트에서 전원 플러그를 즉시 빼내야 합니다.
이 사항을 준수하지 않을 경우 화재 또는 전기 충격이 발생할 수 있습니다. 수리 또는 검사가 필요한 경우 관련 대리점에 요청하십시오.
 - 비정상적인 냄새 또는 소음이 발생하는 경우;
 - 연기가 배출되는 경우;
 - 제품이 파손된 경우; 또는
 - 제품이 물에 노출된 경우.
- 2 전원 케이블이 손상되지 않도록 주의하십시오.
 - 케이블 위에 무거운 물체를 놓지 마십시오.
 - 케이블을 어떠한 방법으로도 처리하지 않도록 주의하십시오.
 - 케이블을 제 위치에 고정하기 위해 스테이플을 사용하지 마십시오.
 - 케이블에 과도한 힘을 가하지 마십시오.
 - 케이블이 뜨거운 물체 근처에 있지 않도록 주의하십시오.
- 3 포함된 전원 전원 케이블만 사용하십시오. 이 사항을 준수하지 않을 경우 화재, 전기 충격 또는 제품 손상이 발생할 수 있습니다.
- 4 지정된 전원 공급 전압만 사용하십시오. 이 사항을 준수하지 않을 경우 화재, 전기 충격 또는 제품 손상이 발생할 수 있습니다.
- 5 필요한 경우 쉽게 제거할 수 있도록 육안으로 확인 가능하고 접근할 수 있는 위치의 콘센트에 전원 플러그를 연결하십시오.
- 6 전원 플러그를 콘센트에 최대한 낮고 단단히 삽입해야 합니다. 제대로 삽입하지 않을 경우 전기 충격이 발생할 수 있습니다. 또한 플러그에 먼지가 쌓일 경우 열 또는 화재가 발생할 수 있습니다.
- 7 콘센트 또는 전원 스트림의 전류 용량을 확인하여 제품 사용자 수 초과하지 않는지 확인하십시오. 전원 스트림이 과열되거나 성능이 떨어질 경우 화재가 발생할 수 있습니다.
- 8 손가락 또는 금속 물체로 단자를 만지지 마십시오.
이 사항을 준수하지 않을 경우 전기 충격 또는 제품 손상이 발생할 수 있습니다.
- 9 제품을 떨어뜨리거나 강한 충격을 받지 않도록 주의하십시오. 내부 부품이 파손되어 전기 충격, 화재 또는 제품 손상이 발생할 수 있습니다.
- 10 제품이 손상된 경우 대리점에 수리 또는 검사를 요청하십시오. 제품을 지속적으로 사용할 경우 화재 또는 전기 충격이 발생할 수 있습니다.
- 11 본 제품을 어떤 방법으로도 분해하거나 개조하지 마십시오. 이 사항을 준수하지 않을 경우 화재, 전기 충격 또는 제품 손상이 발생할 수 있습니다.
- 12 열 분산을 막지 마십시오.
 - 옷, 테이블 천 또는 기타 유사 물체를 제품 위에 두지 마십시오.
 - 깔개, 카펫 등의 위에 제품을 놓지 마십시오.
 - 제품을 공기 순환이 제대로 이루어지지 않는 좁은 공간에 두어 놓거나 덮어 놓지 마십시오.
 - 환기 구멍을 막지 마십시오.
 본 제품의 경우 상단에 최소 1cm, 좌측 및 우측에 1cm 및 후방에 5cm의 환기 공간이 필요합니다.
위의 사항을 준수하지 않을 경우 제품 내부에 열이 발생하여 화재가 발생하거나 제품이 손상될 수 있습니다.
- 13 제품을 심의 또는 물이 떨어질 수 있는 장소에 두지 마십시오. 이 사항을 준수하지 않을 경우 화재, 전기 충격 또는 제품 손상이 발생할 수 있습니다.
- 14 먼지 또는 습기, 기름 낀 연기 또는 증기나 부식성 기체가 노출되는 장소에 제품을 설치하지 마십시오. 이 사항을 준수하지 않을 경우 화재, 전기 충격 또는 제품 손상이 발생할 수 있습니다.
- 15 제품이 평평한 곳에 있는지 확인하십시오.
제품을 뒤집거나 수직 방향으로 두지 마십시오. 이 사항을 준수하지 않을 경우 화재, 전기 충격 또는 제품 손상이 발생할 수 있습니다.
- 16 이물질이 본 제품에 떨어질 수 있는 장소 및/또는 떨어지거나 분산되는 액체에 노출되는 장소에 본 제품을 설치하지 마십시오. 본 제품 상단에 다음을 놓지 마십시오.
 - 기타 구성품을 놓을 경우 본 제품 표면의 손상 및/또는 변색이 발생할 수 있습니다.
 - 액체 물체 (예: 양초)를 놓을 경우 화재, 본 제품 손상 및/또는 신제품 부상이 발생할 수 있습니다.
 - 액체를 담은 용기를 놓을 경우 용기가 떨어질 수 있으며 그 안의 액체로 인해 전기 충격 및/또는 본 제품 손상이 발생할 수 있습니다.
- 17 제품에 금속 또는 종이와 같은 이물질을 삽입하지 마십시오. 이 사항을 준수하지 않을 경우 화재, 전기 충격 또는 제품 손상이 발생할 수 있습니다.
- 18 천둥 소리가 들릴 경우 제품을 만지지 마십시오.
이 사항을 준수하지 않을 경우 전기 충격이 발생할 수 있습니다.
- 19 주기적으로 전원 플러그에서 이물질 및 먼지를 제거하십시오. 이 사항을 준수하지 않을 경우 화재가 발생할 수 있습니다.
- 20 제품을 심박 조율기로부터 최소 22cm 떨어진 거리에서 사용해야 합니다.
이 사항을 준수하지 않을 경우 심박 조율기에 영향을 주어 심각한 사고가 발생할 수 있습니다.
- 21 의뢰기 근처에서 본 제품을 사용하지 마십시오. 본 제품의 전자기파 전자기의 작동에 나쁜 영향을 미칠 수 있습니다. 의뢰기 근처와 같이 전자파 사용이 금지된 곳에서는 본 제품을 사용하지 마십시오.
- 22 USB 및 마이크 케이블이 손상되지 않도록 주의하십시오.
 - 케이블 위에 무거운 물체를 놓지 마십시오.
 - 케이블을 개조하지 마십시오.
 - 스테이플을 사용하여 케이블을 고정하지 마십시오.
 - 케이블에 불필요한 힘을 가하지 마십시오.
 - 열원 근처에 케이블을 두지 마십시오.
 화재, 전기 충격 또는 제품 손상이 발생할 수 있습니다.
- 23 제품과 함께 제공하는 USB 및 마이크 케이블을 사용해야 합니다.
다른 USB 또는 마이크 케이블을 사용할 경우 화재, 전기 충격 또는 제품 손상이 발생할 수 있습니다.
- 24 본 제품을 장시간 동안 사용하지 않는 경우 모든 전원 플러그를 빼야 합니다.
이 사항을 준수하지 않을 경우 화재 또는 전기 충격이 발생할 수 있습니다.
- 25 전원 플러그 또는 케이블을 연결하거나 분리할 때 손이 건조한지 확인하십시오.
이 사항을 준수하지 않을 경우 전기 충격 또는 제품 손상이 발생할 수 있습니다.
- 26 불안정하거나 진동에 노출된 장소에 제품을 설치하지 마십시오. 그렇지 않을 경우 떨어지거나 뒤집어져서 부상 또는 제품 손상이 발생할 수 있습니다.
- 27 직사광선 또는 과도하게 높은 온도 (히터 근처 등)에 노출되는 장소에 제품을 설치하지 마십시오. 이 사항을 준수하지 않을 경우 제품이 손상될 수 있습니다.
- 28 제품 위에서 앉거나 서지 않고 상단에 다른 물체를 두지 마십시오.
이 사항을 준수하지 않을 경우 제품이 손상될 수 있습니다.

- 29 재생을 시작하기 전에 불륨을 최소 레벨로 줄이십시오.
이 사항을 준수하지 않을 경우 큰 소음이 방출되면서 청각 장애가 올 수 있습니다.
- 30 주변 온도가 급격하게 변하는 장소에서 제품을 사용하지 마십시오. 주변 온도가 급격하게 변할 경우 제품에 응축수가 발생하여 제품이 손상될 수 있습니다. 응축수가 발생한 경우 전원을 끈 상태에서 제품이 건조될 때까지 그대로 두어야 합니다.
- 31 전원을 켜 상태에서 케이블을 연결하지 마십시오. 이 사항을 준수하지 않을 경우 제품 및 모든 연결된 장비가 손상될 수 있습니다.
- 32 제품을 만지기 전에 신체 또는 옷에서 발생하는 정전기를 접지시켜야 합니다. 이 사항을 준수하지 않을 경우 제품이 손상될 수 있습니다.
- 33 케이블을 빠르게 전송 및 연결하십시오.
누군가의 다리에 의해 케이블이 당겨지거나 끼인 경우 제품 혹은 연결된 장비가 뒤집어지거나 떨어져 부상이 발생하거나 손상될 수 있습니다.
- 34 외부 장비를 연결하기 전에 장비와 함께 제공된 사용 설명서를 자세하게 읽고 지침에 따라 연결하십시오.

사용 관련 주의 사항

- 본 제품은 일반 사무실에서 사용하도록 설계되었으며, 생명 또는 소중한 자산을 취급하는 높은 수준의 신뢰성이 필요한 분야에서는 사용할 수 없습니다.
- Yamaha 는 제품의 부적절한 사용 또는 구성으로 인해 발생하는 어떠한 피해에 대해서도 책임을 지지 않습니다.
- 사용 환경에 따라 본 제품으로 인해 전화, 라디오, TV 등에서 소음이 발생할 수 있습니다. 이러한 경우 설치 위치 또는 방향을 바꾸십시오.
- 본 제품을 제 3 자에게 양도하는 경우 본 설명서 및 액세서리를 함께 전달하십시오.
- 본 제품을 폐기 시 해당 지역 정부의 지침을 준수해야 합니다.
- 본 제품과 동일한 전원 라인에서 소음을 발생시키는 장비를 연결하지 마십시오.

해당 무선설비는 전파혼신 가능성이 있으므로 인명안전과 관련된 서비스는 할 수 없습니다.

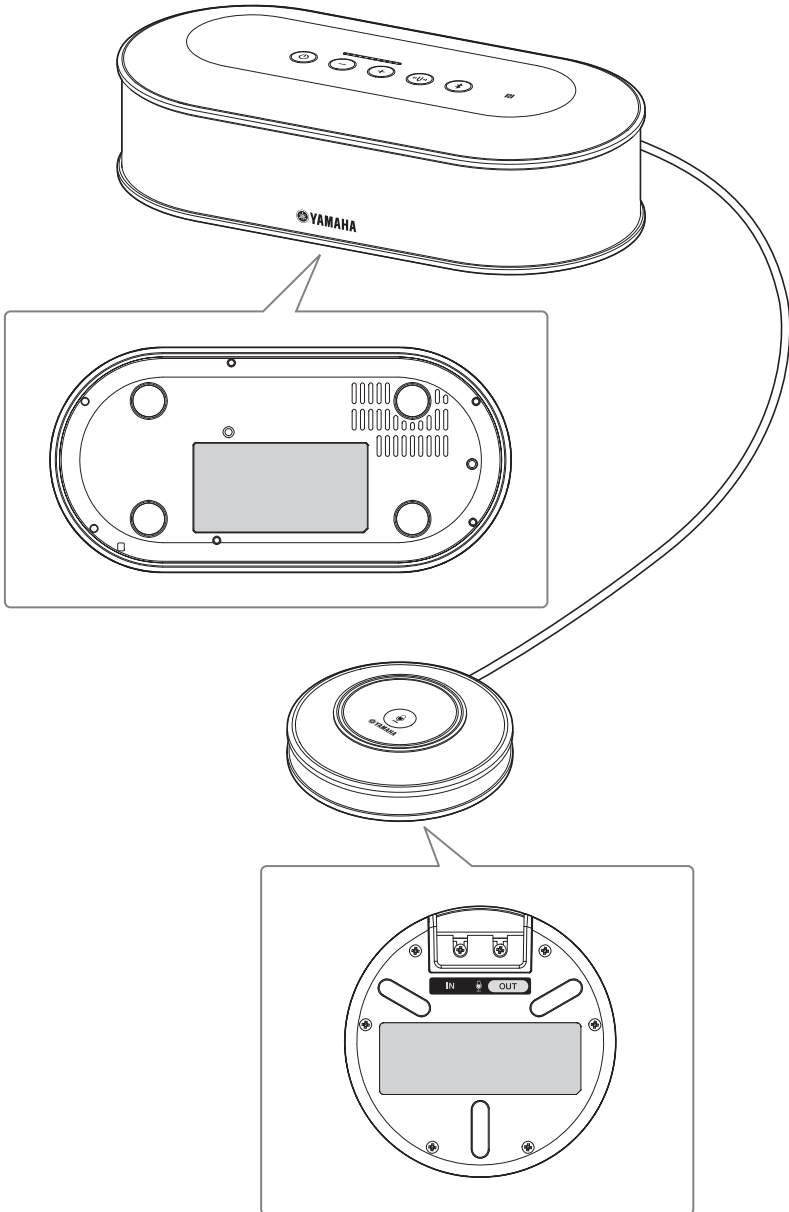
이 기기는 업무용 (A 급) 전자파적합기기로서 판매자 또는 사용자는 이 점을 주의하시기 바라며, 가정외의 지역에서 사용하는 것을 목적으로 합니다.

Bluetooth® 에 대하여

- Bluetooth 는 허가 없이 사용할 수 있는 2.4 GHz 주파수대를 사용하여 무선 통신을 하기 위한 기술입니다.
- Bluetooth 호환 기기가 사용하는 2.4 GHz 주파수대는 다양한 종류의 장비가 공유하는 무선 주파수대입니다. Bluetooth 호환 기기는 같은 무선 주파수대를 사용하는 다른 기기의 영향을 최소화하는 기술을 사용하지만 그 영향으로 인해 통신 속도나 거리를 줄어 들 수 있으며 경우에 따라 통신이 중단될 수도 있습니다.
- 신호 전달 속도 및 통신 가능 거리는 통신 기기 간의 거리, 장애물의 존재, 전파 조건 및 장비 종류에 따라 달라집니다.
- Yamaha 는 본 기기와 Bluetooth 호환 기기와의 모든 무선 연결을 보장하지 않습니다.

명판 위치

명판은 콘트롤 유니트와 마이크론 하단에 있습니다.



소개

Yamaha YVC-1000 을 구입해 주셔서 감사합니다. YVC-1000 은 PC 혹은 Mac, 스마트폰 혹은 태블릿, 비디오 컴퓨터 시스템 등의 통신 장비에 연결하여 음향 단자로 사용할 수 있는 통합 커뮤니케이션 마이크로폰 및 스피커 시스템입니다.

제품을 설치 및 연결하기 전에 본 설명서를 자세히 읽어보시기 바랍니다.

추후에도 참조할 수 있도록 본 설명서를 안전한 장소에 보관하십시오.

- Yamaha 의 허가 없이는 본 설명서를 어떠한 형태로든 복사하거나 사용할 수 없습니다.
- 본 설명서의 내용은 발행일 현재 최신 사양을 기준으로 하고 있습니다.
최신 설명서를 가져오려면 하기의 웹사이트에 접속 후 해당 설명서 파일을 다운로드 받으십시오.
<https://uc.yamaha.com/resources/support/>
- Yamaha 는 본 제품 사용으로 인한 어떠한 데이터 손실 혹은 파손에 대해서도 법적 책임을 지지 않습니다. 보증서는 본 장치의 수리에 한하여 보장합니다.

내용물 확인

- 콘트롤 유닛 (YVC-CTU1000) x 1
- 마이크로폰 (YVC-MIC1000) x 1
- 전원 케이블 (3m) x 1
- USB 케이블 (5m) x 1
- 마이크로폰 케이블 (5m) x 1
- 빠른 시작을 위한 설명서 (본 설명서) x 1

본 설명서 소개

■ 관련용어

본 설명서에는 제품 명칭이 다음과 같이 수록되어 있습니다.

- Yamaha YVC-1000: 본 제품
- Microsoft® Windows®: Windows
- macOS®: macOS

■ 상표에 대하여

- Microsoft 및 Windows 는 미국 및 기타 국가에 소재한 Microsoft Corporation 의 등록 상표입니다.
- Mac, macOS 는 Apple Inc. 의 등록 상표입니다.
- Android™ 는 Google Inc. 의 상표 혹은 등록 상표입니다.
- Bluetooth® 는 Bluetooth SIG 의 등록 상표이며 사용권 계약서에 따라 Yamaha 에서 사용됩니다.
- NFC 로고 (N-Mark) 는 NFC Forum, Inc. 의 상표 혹은 등록 상표입니다.

본 설명서뿐 아니라 다른 지침 설명서도 읽어보시기 바랍니다

본 설명서에는 기본 정보만 수록되어 있습니다.

제품 사용 방법에 대한 자세한 내용은 다음을 참조하십시오.

사용 설명서: 자세한 설정과 유용한 기능을 포함하여 제품 활용에 대한 정보가 수록되어 있습니다.

자사 웹사이트의 다운로드 페이지에서 최신 사용 설명서를 다운로드하십시오.

통신 장비 설정을 구성하려면 장비와 함께 제공된 지침 설명서를 참조하십시오.

최신 기능 사용하기

자사 웹사이트의 다운로드 페이지에서 펌웨어 (제품 프로그램) 를 다운로드하여 최신 기능을 사용할 수 있습니다.

■ 다운로드 페이지

<https://uc.yamaha.com/resources/support/>

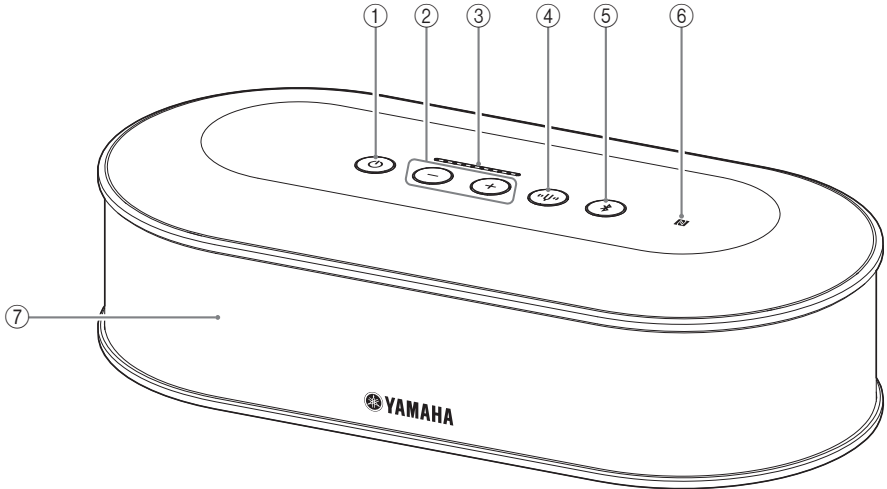
오픈 소스 소프트웨어 사용

이 제품에서는 오픈 소스 소프트웨어를 사용합니다.

라이선스 내용은 사용 설명서에 포함되어 있습니다.

제어장치 및 기능

컨트롤 유닛 (YVC-CTU1000)



① 전원 단추 / 표시등

누르면 제품이 켜집니다. 전원 단추를 2 초 이상 누르고 있으면 대기 모드가 시작됩니다. 제품이 켜지면 녹색으로 켜지고 대기 모드에서는 빨간색으로 켜집니다.

② 음량 +/- 단추 / 표시등

누르면 스피커 음량이 조정됩니다. 해당 단추를 0.5 초 이상 누르고 있으면 음량이 계속해서 높아지거나 낮아집니다.

+ 단추와 - 단추를 동시에 2초 이상 누르고 있으면 출력 장치가 내장 스피커와 외부 스피커 간에 전환됩니다.

③ 음량 레벨 표시등

보통의 경우 수신음의 입력 레벨을 나타냅니다. 스피커 음량을 조정하거나 출력 스피커를 선택하는 경우 설정을 나타냅니다.

④ 소리굽쇠 단추 / 표시등

문제가 발생하면 주황색으로 켜지거나 깜빡입니다. 문제가 표시된 경우 소리굽쇠 단추를 누르면 감지된 문제에 대한 음성 가이드스가 활성화됩니다.

2 초 이상 누르고 있으면 자동으로 음향 상태가 측정되고 음향 설정이 최적의 상태로 조정됩니다 (자동 음향 조정).

⑤ Bluetooth 단추 / 표시등

누르면 Bluetooth 호환 스마트폰이나 타블렛과 페어링 혹은 연결됩니다.

Bluetooth 장치에 연결된 동안 이 단추를 누르면 Bluetooth 연결이 끊깁니다.

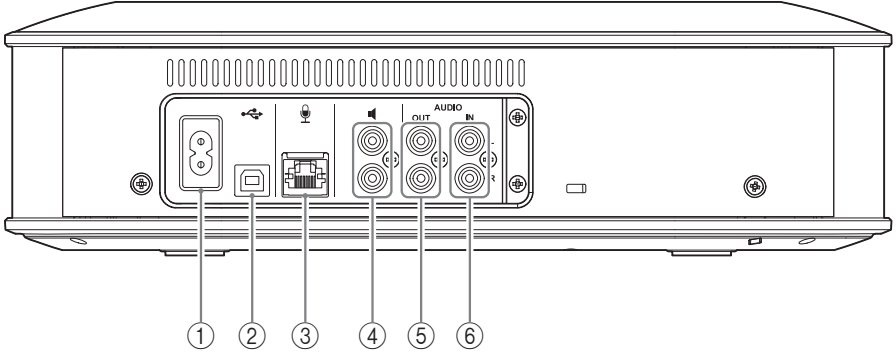
⑥ NFC 로고 (N-Mark)

N-Mark 위에 NFC(Near Field Communication) 기능이 탑재된 Bluetooth 호환 스마트폰이나 타블렛을 올려놓으면 제품과 페어링 혹은 연결하거나 연결을 끊을 수 있습니다.

⑦ 내장 스피커

수신음을 출력합니다.

코트룰 유니트 (YVC-CTU1000): 후면



① 전원 단자

본 제품과 함께 제공된 전원 케이블을 연결하는 데 사용됩니다.

② USB 포트

본 제품과 함께 제공된 USB 케이블을 사용하여 본 제품을 PC 혹은 Mac 에 연결하는 데 사용됩니다.

③ 마이크로폰 단자

마이크로폰 케이블을 사용하여 본 제품과 함께 제공된 마이크로폰을 연결하는 데 사용됩니다.

④ 외부 스피커 단자

스피커를 내장 앰프와 연결하는 데 사용됩니다.

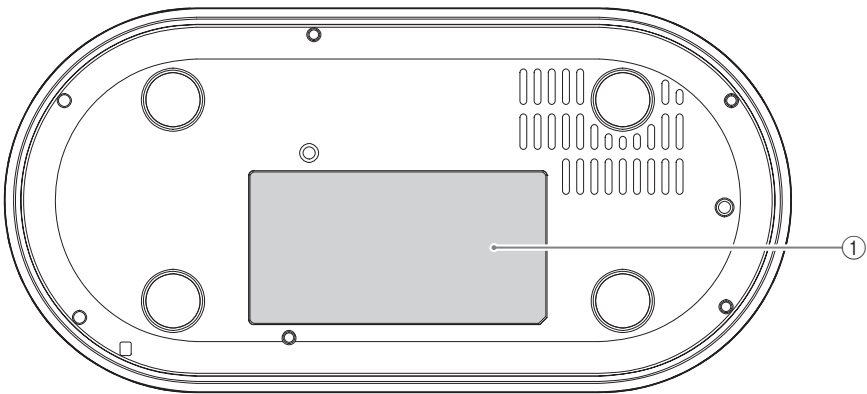
⑤ 음향 출력 단자 (AUDIO OUT)

비디오 컨퍼런스 시스템의 음향 입력 단자에 연결하는 데 사용됩니다..

⑥ 음향 입력 단자 (AUDIO IN)

비디오 컨퍼런스 시스템의 음향 출력 단자에 연결하는 데 사용됩니다.

코트룰 유니트 (YVC-CTU1000): 하단



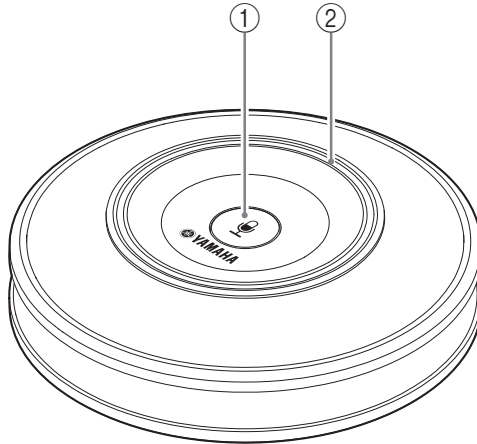
① 명판

다음 정보를 제공합니다.

Model No. (모델명): 본 제품의 모델 번호입니다

SERIAL LABEL: 본 제품의 일련 번호입니다

마이크로폰 (YVC-MIC1000)



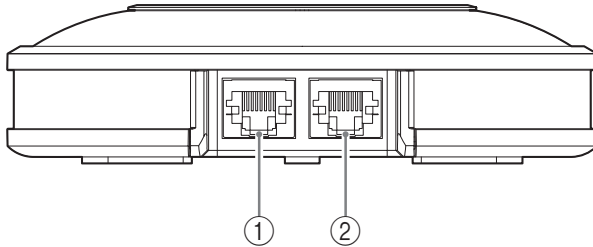
① 마이크로폰 음소거 단추

누르면 마이크로폰이 일시적으로 음소거됩니다. 음소거 기능을 취소하려면 다시 누릅니다.

② 마이크로폰 상태 표시등

마이크로폰이 활성 상태인 경우 녹색으로 켜집니다. 마이크로폰이 음소거 상태인 경우 빨간색으로 깜빡입니다.

마이크로폰 (YVC-MIC1000): 측면



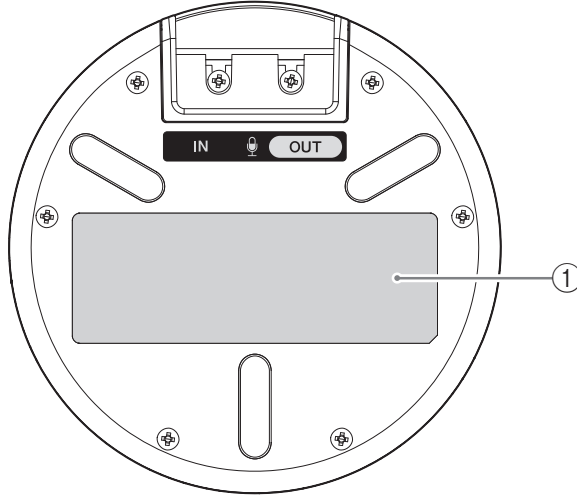
① 입력 단자 (IN)

마이크로폰 (YVC-MIC1000EX)(옵션) 을 마이크로폰 케이블을 사용하여 연결합니다.

② 출력 단자 (OUT)

콘트롤 유니트를 마이크로폰 케이블에 연결합니다.

마이크로폰 (YVC-MIC1000): 바닥



① 명판

다음 정보를 제공합니다.

Model No. (모델명): 본 제품의 모델 번호입니다

SERIAL LABEL: 본 제품의 일련 번호입니다

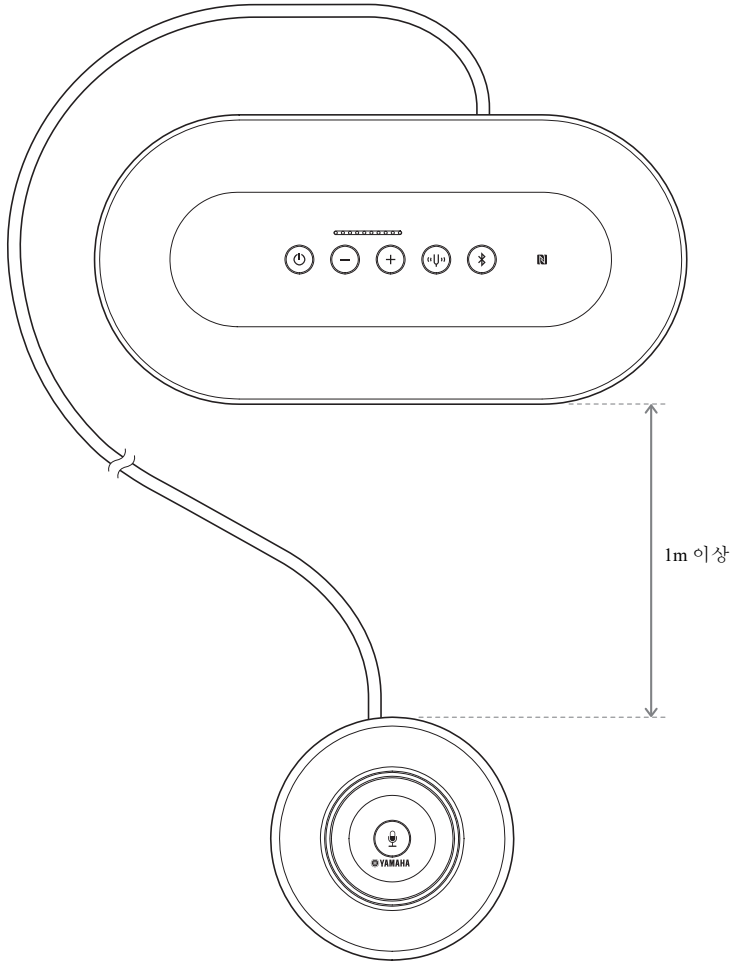
사용을 위해 설정하기

설치

사용할 위치에서 제품을 설치합니다.

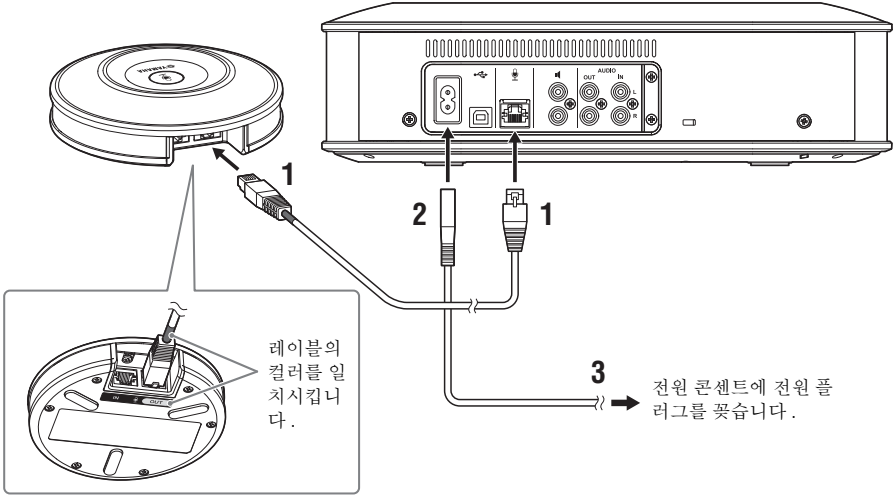
설치 시 참고 사항

- 마이크폰을 콘트롤 유니트로부터 1m 이상 떨어뜨리십시오.
- 마이크폰을 잡음원으로부터 멀리 떨어뜨리십시오.



마이크로폰 및 전원 케이블 연결하기

본 제품과 함께 제공된 마이크로폰 및 전원 케이블을 연결합니다.



참고 사항

- 마이크로폰 케이블을 연결하는 경우 마이크로폰 케이블과 마이크로폰 출력 단자 (OUT) 의 레이블의 컬러를 일치시켜야 합니다.
- 전원 케이블을 콘트롤 유니트의 전원 단자에 꽂고 전원 콘센트에 완전히 꽂아야 합니다.

☀️ 팁

기본 제공된 마이크로폰과 옵션으로 제공된 마이크로폰 (YVC-MIC1000EX) 을 포함하여 총 5 개의 마이크로폰을 제품에 연결할 수 있습니다. (자세한 내용은 사용 설명서를 참조하십시오.)

설정하기

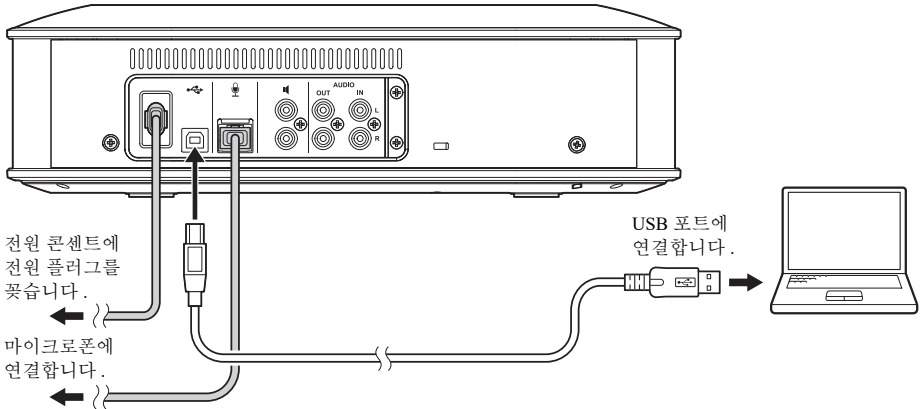
음성 가이드의 언어 설정

소리굽쇠 단추 (M) 를 누르면서 음량 + 단추 (+) 를 반복해서 눌러 주십시오. 음량 + 단추 (+) 를 누를 때마다 언어가 전환됩니다.

자세한 지침은 사용 설명서를 참조하십시오.

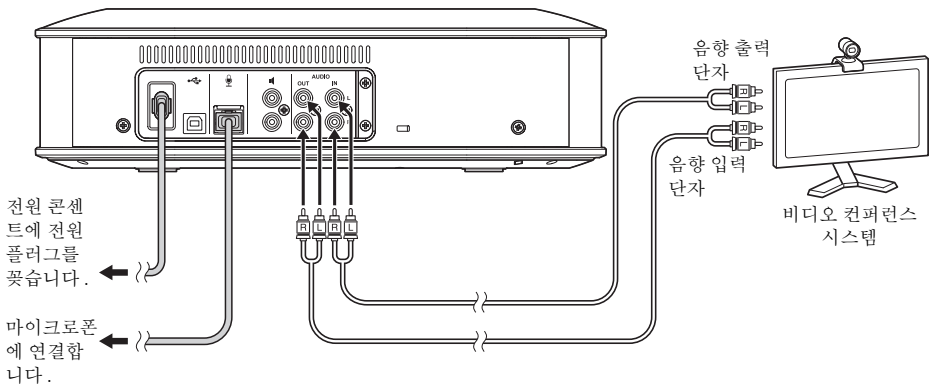
통신 장비에 연결하기

USB 케이블을 사용하여 PC 혹은 Mac 에 연결하기



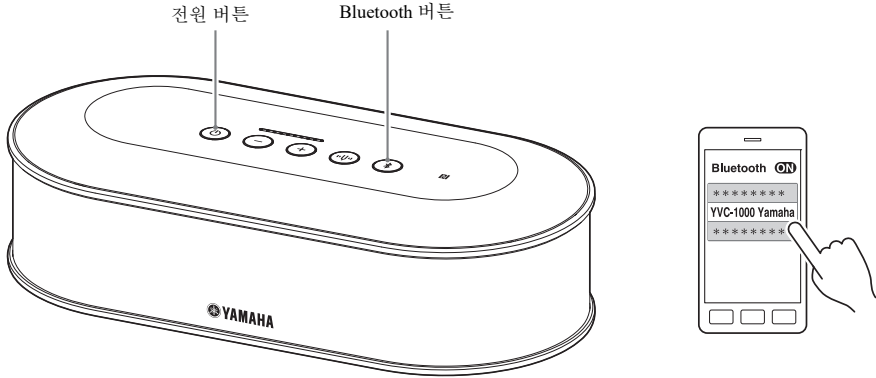
제품을 연결한 후 제품의 전원을 켜고 PC 혹은 Mac 에서 올바르게 인식되는지 확인하십시오.
자세한 지침은 사용 설명서를 참조하십시오.

음향 케이블을 사용하여 비디오 컨퍼런스 시스템에 연결하기



제품을 연결한 후 비디오 컨퍼런스 시스템의 설정을 변경하여 제품이 마이크로폰 혹은 스피커로 사용되도록 하십시오.
자세한 지침은 사용 설명서를 참조하십시오.

Bluetooth 를 통해 스마트폰 혹은 태블릿에 연결하기



■ 페어링하기

- 1 전원 버튼을 눌러 제품의 전원을 켭니다.
- 2 Bluetooth 버튼을 누릅니다.
Bluetooth 버튼이 파란색으로 깜박입니다.
- 3 Bluetooth 버튼을 2 초 이상 누르고 있습니다.
Bluetooth 버튼이 파란색으로 빠르게 깜박이면 페어링을 수행할 수 있습니다.
- 4 스마트폰 혹은 태블릿을 사용하여 페어링 절차를 수행합니다.

■ Bluetooth 를 통해 페어링된 스마트폰 혹은 태블릿에 연결하기

- 1 전원 버튼을 눌러 제품의 전원을 켭니다.
- 2 Bluetooth 버튼을 누릅니다.
Bluetooth 버튼이 파란색으로 깜박이면 Bluetooth 를 통해 제품을 연결할 수 있습니다.
- 3 스마트폰 혹은 태블릿을 사용하여 Bluetooth 연결 절차를 수행합니다.
연결이 설정되면 Bluetooth 버튼이 파란색으로 점등됩니다.

자세한 지침은 사용 설명서를 참조하십시오.

사양

일반

| | |
|---------------------------|--|
| 인터페이스 : | 콘트롤 유닛 : USB 2.0 High Speed, Bluetooth, NFC(Near Field Communication), 음향 입력 단자 (스테레오 RCA 핀), 음향 출력 단자 (스테레오 RCA 핀), 외부 스피커 단자 (RCA 핀) x 2, 전원 단자, 마이크로폰 단자 마이크로폰 : 입력 및 출력 단자 |
| 소비전력 (최대) : | 20W(마이크로폰 1 개 연결 시), 35W(마이크로폰 5 개 연결 시) |
| 사용 환경 : | 온도 : 0 ~ 40°C 습도 : 20 ~ 85%(비응결) |
| 보관 환경 : | 온도 : -20 ~ +50°C 습도 : 10 ~ 90%(비응결) |
| 크기 : | 콘트롤 유닛 (W x H x D): 332 x 95 x 162mm 마이크로폰 (W x H x D): 136 x 36 x 136mm |
| 무게 : | 콘트롤 유닛 : 1.8kg 마이크로폰 : 0.4kg |
| 전원 : | 미국, 캐나다 모델 : AC 120 V (60 Hz) 일본 모델 : AC 100 V (50/60Hz) 중국 모델 : AC 220 V (50 Hz) 한국 모델 : AC 110/220 V (60 Hz) 영국, 유럽, 러시아 모델 : AC 220-240 V (50 Hz) |
| PC/Mac 사용 환경 : | OS: Windows (*1), macOS (*1) USB: USB 2.0 이상 |
| Bluetooth: | Bluetooth 사양 버전 : 2.1 + EDR 지원 프로파일 : HFP(1.6), A2DP 지원 코덱 : SBC, mSBC, CVSD 무선 출력 : Class 2 최대 통신 거리 : 10m 무선 주파수 (작동 주파수) : 2,402 MHz ~ 2,480 MHz 최대 출력 전력 (EIRP) : 4.0dBm (2.5mW) |
| NFC: | 호환 장치 : NFC 호환 Android 장치 |
| 음성 가이드스 : | 영어, 일본어, 중국어, 한국어, 프랑스어, 스페인어, 독일어 |
| 부속품 : | 전원 케이블 (3m), USB 케이블 (5m), 마이크로폰 케이블 (5m), 빠른 시작을 위한 설명서 |
| 기타 : | 펌웨어 업데이트 (USB 를 통해 PC 에서 전송) |

(*1) 대응 버전은 아래 웹사이트에 게재되어 있습니다.
<https://uc.yamaha.com/>

음향

마이크로폰 유닛 : 단방향 x 3

스피커 유닛 : 플레인저 x 1

신호 처리 : 적응형 에코캔슬러, 노이즈 감쇠, 자동 추적, 자동 게인 제어, 자동 톤 EQ, 탈반향, 자동 음향 조정

Inhalt

| | | | |
|---|----------|--|-----------|
| Sicherheitsvorkehrungen | 2 | Einrichtung für den Gebrauch | 12 |
| Vorsichtsmaßnahmen beim Gebrauch | 4 | Installation | 12 |
| Über Bluetooth® | 4 | Anschließen von Mikrofon- und Netzkabel | 13 |
| Position der Typenschilder | 5 | Ändern der Einstellungen | 13 |
| Einleitung | 6 | Umschalten der Sprache für die Sprachanweisungen | 13 |
| Lieferumfang prüfen | 6 | Anschließen an Kommunikationsgeräte | 14 |
| Über diese Anleitung | 6 | Anschließen an einen PC oder Mac über USB-Kabel | 14 |
| Bitte lesen Sie zusätzlich zu dieser Anleitung auch andere Anleitungen | 7 | Anschließen an ein Videokonferenzsystem über Audiokabel | 14 |
| Verwendung der neuesten Funktionen | 7 | Verbinden mit einem Smartphone oder Tablet über Bluetooth | 15 |
| Verwendung von Open-Source-Software | 7 | Technische Daten | 16 |
| Bedienungselemente und deren Funktion | 8 | Allgemeines | 16 |
| Kontrolleinheit (YVC-CTU1000) | 8 | Audio | 17 |
| Kontrolleinheit (YVC-CTU1000): Rückseite | 9 | | |
| Kontrolleinheit (YVC-CTU1000): Unterseite | 9 | | |
| Mikrofon (YVC-MIC1000) | 10 | | |
| Mikrofon (YVC-MIC1000): Seite | 10 | | |
| Mikrofon (YVC-MIC1000): Unterseite | 11 | | |

Sicherheitsvorkehrungen

- 1 Bitte achten Sie darauf, in den folgenden Fällen sofort das Netzkabel aus der Steckdose zu ziehen.
Die Missachtung dieser Vorsichtsmaßnahme kann zu einem Brand oder Stromschlag führen. Bitte achten Sie darauf, erforderliche Reparaturen oder Inspektionen von dem betreffenden Händler ausführen zu lassen.
 - Es treten anormale Gerüche oder Geräusche auf;
 - Es tritt Rauch auf;
 - Das Produkt ist defekt; oder
 - Das Produkt ist in Berührung mit Wasser gekommen.
- 2 Achten Sie darauf, nicht das Netzkabel zu beschädigen. Die Missachtung dieser Vorsichtsmaßnahme könnte zu einem Brand oder Stromschlag oder zur Beschädigung des Produkts führen.
 - Achten Sie darauf, keine schweren Gegenstände auf das Kabel zu stellen.
 - Achten Sie darauf, das Kabel in keiner Weise zu bearbeiten.
 - Achten Sie darauf, das Kabel nicht mit Heftklammern zu fixieren.
 - Achten Sie darauf, keine übermäßige Kraft auf das Kabel auszuüben.
 - Achten Sie darauf, das Kabel von Hitze oder heißen Gegenständen fernzuhalten.
- 3 Achten Sie darauf, ausschließlich das mitgelieferte Netzkabel zu verwenden. Die Missachtung dieser Vorsichtsmaßnahme könnte zu einem Brand oder Stromschlag oder zur Beschädigung des Produkts führen.
- 4 Achten Sie darauf, ausschließlich die angegebene Netzspannung zu verwenden. Die Missachtung dieser Vorsichtsmaßnahme könnte zu einem Brand oder Stromschlag oder zur Beschädigung des Produkts führen.
- 5 Schließen Sie das Netzkabel an einer Steckdose an, die Sie sehen und erreichen können. Dadurch wird sichergestellt, dass Sie es nötigenfalls leicht entfernen können.
- 6 Achten Sie darauf, den Netzstecker vollständig und sicher in die Steckdose einzustecken. Ein unzureichendes Einstecken könnte zu einem Stromschlag führen. Es könnte außerdem dazu führen, dass sich auf dem Stecker Staub ansammelt, was dann zu Hitzeentwicklung oder einem Brand führen könnte.
- 7 Prüfen Sie die Strombelastbarkeit der Steckdose oder einer Steckerleiste, um sicherzustellen, dass das Produkt diese nicht übersteigt. Überhitzung, Verschleiß oder Beschädigung der Steckerleiste könnte zu einem Brand führen.
- 8 Berühren Sie die Anschlussklemmen nicht mit den Fingern oder mit Metallgegenständen.
Die Missachtung dieser Vorsichtsmaßnahme kann zu einem Stromschlag oder zur Beschädigung des Produkts führen.
- 9 Sorgen Sie dafür, dass das Produkt nicht herunterfällt oder starken Stößen ausgesetzt wird. Die internen Komponenten könnten zerstört werden, was dann zu einem Stromschlag, einem Brand oder einer Beschädigung des Produkts führen könnte.
- 10 Wenn das Produkt beschädigt wurde, wenden Sie sich an einen Händler, um es reparieren oder inspizieren zu lassen.
Die anhaltende Verwendung des Produkts kann zu einem Brand oder Stromschlag führen.
- 11 Nehmen Sie das Produkt nicht auseinander und verändern Sie es in keiner Weise.
Die Missachtung dieser Vorsichtsmaßnahme könnte zu einem Brand oder Stromschlag oder zur Beschädigung des Produkts führen.
- 12 Behindern Sie nicht die Wärmeabfuhr.
 - Legen Sie keine Tücher, Tischdecken oder ähnliche Gegenstände über das Produkt.
 - Stellen Sie das Produkt nicht auf einem Vorleger oder Teppich usw. auf.
 - Zwängen oder quetschen Sie das Produkt nicht auf beengtem Raum mit schlechter Luftzirkulation ein.
 - Versperren Sie nicht die Lüftungslöcher.
 Lassen Sie zur Belüftung über dem Produkt mindestens 1 cm, links und rechts mindestens 1 cm sowie hinten mindestens 5 cm frei. Die Missachtung dieser Vorsichtsmaßnahme kann dazu führen, dass sich im Produkt die Hitze staut, oder sie kann einen Brand oder eine Beschädigung des Produkts verursachen.
- 13 Stellen Sie das Produkt nicht im Freien oder an einem Ort auf, an dem Wasser darauftropfen kann.
Die Missachtung dieser Vorsichtsmaßnahme kann zu einem Brand oder Stromschlag oder einer Beschädigung des Produkts führen.
- 14 Installieren Sie das Produkt nicht an Orten, wo es Staub oder Feuchtigkeit, ölhaltigem Nebel oder Dampf oder korrodierendem Gas ausgesetzt wird. Die Missachtung dieser Vorsichtsmaßnahme könnte zu einem Brand oder Stromschlag oder zur Beschädigung des Produkts führen.
- 15 Achten Sie darauf, das Produkt waagrecht aufzustellen.
Stellen Sie es nicht auf den Kopf und platzieren Sie es nicht senkrecht. Die Missachtung dieser Vorsichtsmaßnahme kann zu einem Brand oder Stromschlag oder einer Beschädigung des Produkts führen.
- 16 Vermeiden Sie es, das Produkt an Orten zu installieren, an denen Fremdbjekte auf das Produkt fallen können und/oder das Produkt tropfenden oder spritzenden Flüssigkeiten ausgesetzt sein kann.
Platzieren Sie auf dem Produkt keine der folgenden Gegenstände:
 - Andere Komponenten; diese können die Oberfläche des Produkts beschädigen und/oder verfärben.
 - Brennende Gegenstände (d. h. Kerzen); diese können einen Brand, eine Beschädigung des Produkts und/oder Verletzungen verursachen.
 - Behälter mit Flüssigkeit; diese können umkippen, und durch die Flüssigkeit kann der Anwender einen Stromschlag erleiden und/oder das Produkt beschädigt werden.
- 17 Stecken Sie keine Fremdbjekte wie Metall oder Papier in das Produkt.
Die Missachtung dieser Vorsichtsmaßnahme kann zu einem Brand oder Stromschlag oder einer Beschädigung des Produkts führen.
- 18 Wenn Donner zu hören ist, vermeiden Sie es, das Produkt zu berühren.
Die Missachtung dieser Vorsichtsmaßnahme kann zu einem Stromschlag führen.
- 19 Befreien Sie den Netzstecker regelmäßig von Schmutz und Staub.
Die Missachtung dieser Vorsichtsmaßnahme könnte zu einem Brand führen.
- 20 Das Produkt sollte mit mindestens 22 cm Abstand zu Personen verwendet werden, die einen Herzschrittmacher, einen Defibrillator oder ein ähnliches Gerät verwenden.
Die Missachtung dieser Vorsichtsmaßnahme kann den Herzschrittmacher beeinträchtigen und zu einem schweren Unfall führen.
- 21 Verwenden Sie dieses Produkt nicht in der Nähe von medizinischen Geräten. Von diesem Produkt ausgehende Funkwellen können den Betrieb elektromedizinischer Geräte beeinträchtigen. Verwenden Sie dieses Produkt nicht an Orten, an denen die Verwendung von Funkwellen Beschränkungen unterliegt wie z. B. in der Nähe von medizinischen Geräten.

- 22 Vermeiden Sie es, USB- und Mikrofonkabel zu beschädigen.
- Stellen Sie keine schweren Gegenstände auf Kabel.
 - Verändern Sie Kabel nicht.
 - Befestigen Sie Kabel nicht mit Heftklammern.
 - Üben Sie keine übermäßige Kraft auf Kabel aus.
 - Verlegen Sie Kabel nicht in der Nähe von Wärmequellen.
- Dies kann zu einem Brand oder Stromschlag oder einer Beschädigung des Produkts führen.
- 23 Achten Sie darauf, nur das mitgelieferte USB- und Mikrofonkabel zu verwenden.
Die Verwendung anderer USB- oder Mikrofonkabel kann zu einem Brand oder Stromschlag oder einer Beschädigung des Produkts führen.
- 24 Wenn dieses Produkt längere Zeit nicht genutzt wird, achten Sie darauf, alle Netzstecker abzuziehen.
Die Missachtung dieser Vorsichtsmaßnahme kann zu einem Brand oder Stromschlag führen.
- 25 Achten Sie darauf, beim Anschließen oder Abziehen von Netzstecker oder Kabeln mit trockenen Händen zu arbeiten.
Die Missachtung dieser Vorsichtsmaßnahme kann zu einem Stromschlag oder zur Beschädigung des Produkts führen.
- 26 Achten Sie darauf, das Produkt nicht an instabilen Orten oder an Orten zu installieren, an denen es Vibrationen ausgesetzt wird, da es umfallen oder auf den Kopf gedreht werden könnte, was zu Verletzungen oder einer Beschädigung des Produkts führen kann.
- 27 Achten Sie darauf, das Produkt nicht an Orten zu installieren, an denen es direktem Sonnenlicht oder außerordentlich hohen Temperaturen ausgesetzt wird (neben einer Heizung usw.). Die Missachtung dieser Vorsichtsmaßnahme könnte zu einer Beschädigung des Produkts führen.
- 28 Setzen/stellen Sie sich nicht auf das Produkt und legen Sie keine anderen Gegenstände darauf ab.
Die Missachtung dieser Vorsichtsmaßnahme kann zu einer Beschädigung des Produkts führen.
- 29 Regeln Sie die Lautstärke auf Minimum herunter, bevor Sie die Wiedergabe starten.
Die Missachtung dieser Vorsichtsmaßnahme verursacht das Auftreten von lauten Geräuschen, die zu Gehörschäden führen können.
- 30 Achten Sie darauf, das Produkt nicht an Orten zu verwenden, an denen es raschen Veränderungen der Umgebungstemperatur ausgesetzt wird. Rasche Veränderungen der Umgebungstemperatur könnten dazu führen, dass sich auf dem Produkt Kondensat bildet, was dann zu einer Beschädigung des Produkts führen könnte. Falls es zu Kondensatbildung gekommen sein sollte, achten Sie darauf, vor der Verwendung des Produkts abzuwarten, bis es getrocknet ist.
- 31 Achten Sie darauf, keine Kabel anzuschließen, während das Produkt eingeschaltet ist. Die Missachtung dieser Vorsichtsmaßnahme könnte zu einer Beschädigung des Produkts und angeschlossener Geräte führen.
- 32 Achten Sie darauf, von Ihrem Körper oder Ihrer Kleidung ausgehende statische Elektrizität zu entladen, bevor Sie das Produkt berühren. Die Missachtung dieser Vorsichtsmaßnahme könnte zu einer Beschädigung des Produkts führen.
- 33 Führen Sie die Kabel korrekt und schließen Sie sie korrekt an. Wenn an den Kabeln gezogen wird oder sie am Bein einer Person hängenbleiben, könnten die angeschlossenen Geräte umstürzen oder herunterfallen, was zu Verletzungen oder einer Beschädigung des Produkts führt.
- 34 Lesen Sie sich, bevor Sie externe Gerät anschließen, die zugehörigen Anleitungshandbücher durch und stellen Sie Verbindungen entsprechend der Anleitung her.

Dieses Gerät ist nicht vom Netz abgetrennt, solange der Netzstecker an eine Netzdose angeschlossen ist, auch wenn das Gerät selbst ausgeschaltet wurde. Dieser Status wird als Bereitschaftsmodus bezeichnet. Auch in diesem Status weist das Gerät einen geringen Stromverbrauch auf.

Warnung: Der Betrieb dieses Gerats in einer Wohngegend kann zu Funkstörungen führen.

Vorsichtsmaßnahmen beim Gebrauch

- Dieses Produkt ist zum Gebrauch in normalen Büros vorgesehen und nicht zum Einsatz in Bereichen, in denen ein hohes Maß an Zuverlässigkeit im Umgang mit dem menschlichen Leben oder Wertgegenständen verlangt wird.
- Bitte beachten Sie, dass Yamaha keine Verantwortung für Schäden übernehmen kann, die durch eine unsachgemäße Verwendung oder Konfiguration des Produkts entstehen.
- Je nach Einsatzumgebung kann dieses Produkt bei einem Telefon, Radio, Fernseher usw. Störgeräusche erzeugen. Sollte dies der Fall sein, ändern Sie seinen Installationsort oder seine Ausrichtung.
- Wenn Sie dieses Produkt an einen Dritten übertragen, händigen Sie ihm bitte auch diese Anleitung und das Produktzubehör aus.
- Achten Sie beim Entsorgen des Produkts darauf, den Anweisungen Ihrer Kommunalverwaltung zu folgen.
- Schließen Sie Geräte, die Geräusche erzeugen, nicht an derselben Stromleitung an wie das Produkt.

Verbraucherinformation zur Sammlung und Entsorgung alter Elektrogeräte



Befindet sich dieses Symbol auf den Produkten, der Verpackung und/oder beiliegenden Unterlagen, so sollten benutzte elektrische Geräte nicht mit dem normalen Haushaltsabfall entsorgt werden. In Übereinstimmung mit Ihren nationalen Bestimmungen bringen Sie alte Geräte bitte zur fachgerechten Entsorgung, Wiederaufbereitung und Wiederverwendung zu den entsprechenden Sammelstellen.

Durch die fachgerechte Entsorgung der Elektrogeräte helfen Sie, wertvolle Ressourcen zu schützen, und verhindern mögliche negative Auswirkungen auf die menschliche Gesundheit und die Umwelt, die andernfalls durch unsachgerechte Müllentsorgung auftreten könnten.

Für weitere Informationen zum Sammeln und Wiederaufbereiten alter Elektrogeräte kontaktieren Sie bitte Ihre örtliche Stadt- oder Gemeindeverwaltung, Ihren Abfallentsorgungsdienst oder die Verkaufsstelle der Artikel.

Information für geschäftliche Anwender in der Europäischen Union:

Wenn Sie Elektrogeräte ausrangieren möchten, kontaktieren Sie bitte Ihren Händler oder Zulieferer für weitere Informationen.

Entsorgungsinformation für Länder außerhalb der Europäischen Union:

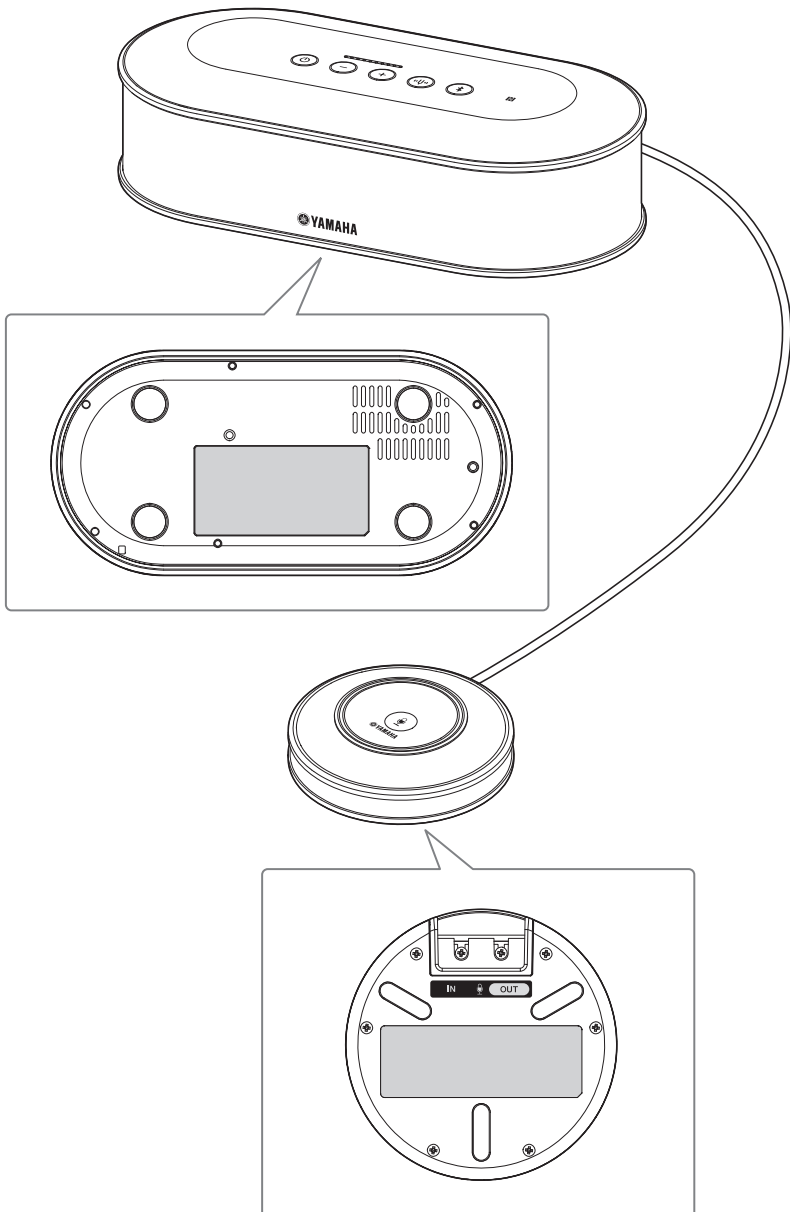
Dieses Symbol gilt nur innerhalb der Europäischen Union. Wenn Sie solche Artikel ausrangieren möchten, kontaktieren Sie bitte Ihre örtlichen Behörden oder Ihren Händler und fragen Sie nach der sachgerechten Entsorgungsmethode.

Über Bluetooth®

- Bluetooth ist eine Technik für die drahtlose Kommunikation zwischen Geräten, welche das 2,4-GHz-Frequenzband verwendet, für das keine Lizenz erforderlich ist.
- Das 2,4-GHz-Frequenzband, das von Bluetooth-kompatiblen Geräten verwendet wird, ist ein Radioband, das von vielen Gerätearten genutzt wird. Zwar setzen Bluetooth-kompatible Geräte eine Technik ein, welche den Störeinfluss anderer Geräte, die dasselbe Frequenzband verwenden, begrenzt, dennoch kann die Geschwindigkeit oder Reichweite der Kommunikation beeinträchtigt und in manchen Fällen die Kommunikation unterbrochen werden.
- Die Geschwindigkeit und Reichweite der Kommunikation hängt vom Abstand zwischen den kommunizierenden Geräten, dem Vorhandensein von Hindernissen, den Funkwellenbedingungen und der Art von Geräten ab.
- Yamaha kann nicht gewährleisten, dass alle Bluetooth-kompatiblen Geräte eine drahtlose Verbindung mit diesem Gerät herstellen können.

Position der Typenschilder

Die Typenschilder befinden sich an der Unterseite der Kontrolleinheit und des Mikrofons.



Einleitung

Vielen Dank für den Kauf eines Yamaha YVC-1000. Das YVC-1000 ist ein Mikrofon- und Lautsprechersystem für Unified Communications, das als Audio-Endgerät dient, wenn es an Kommunikationsgeräte wie z. B. einen PC oder Mac, ein Smartphone oder Tablet und ein Videokonferenzsystem angeschlossen ist.

Bitte lesen Sie sich diese Anleitung sorgfältig durch, bevor Sie das Produkt installieren und anschließen.

Bewahren Sie diese Anleitung an einem sicheren Ort auf, um später darin nachlesen zu können.

- Kein Teil dieser Anleitung darf ohne Genehmigung von Yamaha kopiert oder in irgendeiner Form genutzt werden.
- Der Inhalt dieser Bedienungsanleitung gilt für die neuesten technischen Daten zum Zeitpunkt der Veröffentlichung. Um die neueste Version der Anleitung zu erhalten, rufen Sie die folgende Website auf und laden Sie dann die Datei mit der Bedienungsanleitung herunter.
<https://uc.yamaha.com/resources/support/>
- Yamaha haftet nicht für durch die Nutzung des Produkts entstehende Datenverluste oder -beschädigungen. Bitte beachten Sie, dass die Garantie ausschließlich für Reparaturen des Produkts gilt.

Lieferumfang prüfen

- Kontrolleinheit (YVC-CTU1000) x 1
- Mikrofon (YVC-MIC1000) x 1
- Netzkabel (3 m) x 1
- USB-Kabel (5 m) x 1
- Mikrofonkabel (5 m) x 1
- Kurzanleitung (diese Anleitung) x 1

Über diese Anleitung

■ Über Abkürzungen

Folgende Produkte werden in dieser Anleitung wie folgt beschrieben.

- Yamaha YVC-1000: dieses Gerät
- Microsoft® Windows®: Windows
- macOS®: macOS

■ Über Warenzeichen

- Microsoft und Windows sind eingetragene Warenzeichen der Microsoft Corporation in den USA und anderen Ländern.
- Mac und macOS sind eingetragene Warenzeichen von Apple Inc.
- Android™ ist eine Marke oder eingetragene Marke von Google Inc.
- Bluetooth® ist ein eingetragenes Warenzeichen von Bluetooth SIG und wird von Yamaha im Einklang mit einer Lizenzvereinbarung verwendet.
- Das NFC-Logo (N-Mark) ist ein Warenzeichen bzw. eingetragenes Warenzeichen von NFC Forum, Inc.

Bitte lesen Sie zusätzlich zu dieser Anleitung auch andere Anleitungen

Diese Anleitung enthält lediglich grundlegende Informationen.

Ausführliche Informationen zur Verwendung des Produkts finden Sie in der folgenden Dokumentation:

Bedienungsanleitung: Enthält Informationen zur Nutzung des Produkts einschließlich detaillierter Einstellungen und nützlicher Funktionen.

Bitte laden Sie die neueste Bedienungsanleitung von der Download-Seite unserer Website herunter.

Um die Einstellungen von Kommunikationsgeräten zu konfigurieren, lesen Sie in den mit den Geräten mitgelieferten Anleitungshandbüchern nach.

Verwendung der neuesten Funktionen

Sie können die Firmware (Programm des Produkts) von der Download-Seite unserer Website herunterladen, um die neuesten Funktionen zu nutzen.

■ Download-Seite

<https://uc.yamaha.com/resources/support/>

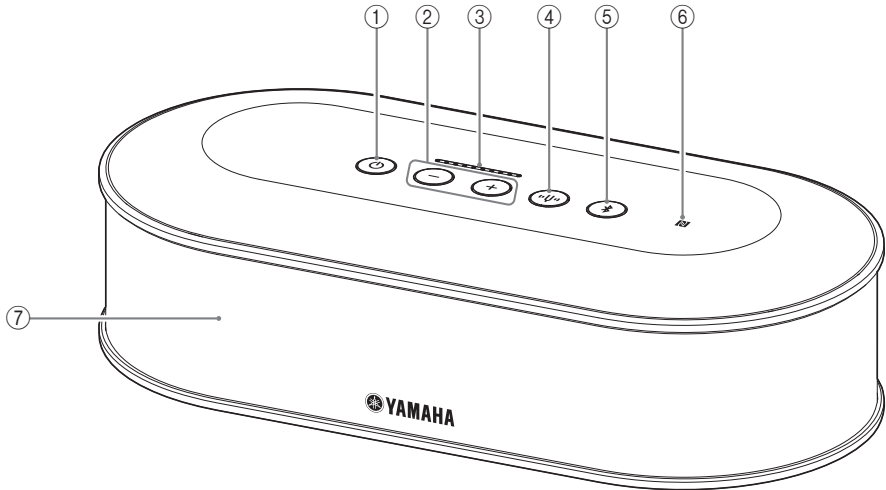
Verwendung von Open-Source-Software

Dieses Produkt verwendet Open-Source-Software.

Der Inhalt der Lizenz ist in der Bedienungsanleitung enthalten.

Bedienungselemente und deren Funktion

Kontrolleinheit (YVC-CTU1000)



① Netztaaste/-anzeige

Drücken Sie die Netztaaste, um das Gerät einzuschalten. Halten Sie die Netztaaste mindestens zwei Sekunden lang gedrückt, um in den Bereitschaftsmodus zu wechseln. Sie leuchtet grün, wenn das Gerät eingeschaltet ist, und rot, wenn es sich im Bereitschaftsmodus befindet.

② Lautstärketaste/-anzeige +/-

Drücken Sie die Tasten, um die Lautsprecherlautstärke anzupassen. Halten Sie die entsprechende Tasten mindestens eine halbe Sekunde lang gedrückt, um die Lautstärke kontinuierlich zu erhöhen oder zu verringern. Drücken Sie mindestens zwei Sekunden lang beide Tasten, + und -, gleichzeitig, um die Ausgabe zwischen eingebauten und externen Lautsprechern umzuschalten.

③ Lautstärkeanzeige

Zeigt normalerweise den Eingangspiegel einer eingespeisten Stimme an. Zeigt Einstellungen an, wenn die Lautsprecherlautstärke angepasst oder ein Ausgabelausprecher ausgewählt wird.

④ Stimmgabeltaste/-anzeige

Leuchtet oder blinkt orange, wenn ein Problem vorliegt. Wenn ein Problem angezeigt wird, drücken Sie die

Stimmgabeltaste, um die Sprachanweisungen zu dem erkannten Problem zu aktivieren.

Wenn die Taste mindestens zwei Sekunden lang gedrückt gehalten wird, misst das Gerät automatisch die akustischen Bedingungen und stellt die Audio-Einstellungen auf einen optimalen Zustand ein (automatische Audio-Abstimmung).

⑤ Bluetooth-Taste/-Anzeige

Drücken Sie diese Taste zum Koppeln oder Verbinden mit einem Bluetooth-kompatibles Smartphone oder Tablet.

Wenn diese Taste gedrückt wird, während eine Verbindung mit einem Bluetooth-Gerät besteht, wird diese unterbrochen.

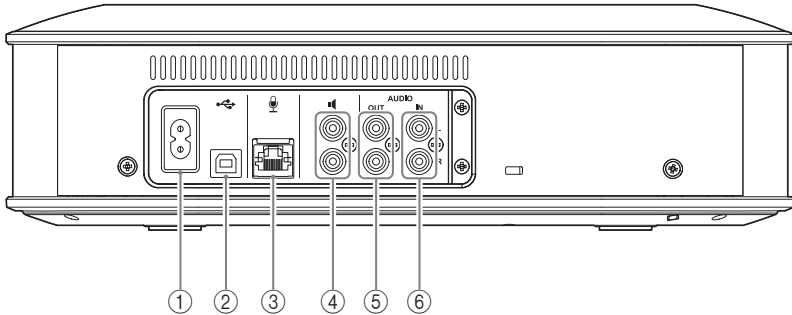
⑥ NFC-Logo (N-Mark)

Wenn Sie ein NFC (Near Field Communication)-fähiges Bluetooth-kompatibles Smartphone oder Tablet über die N-Mark bewegen, können Sie es mit dem Produkt koppeln oder verbinden oder es trennen.

⑦ Eingebauter Lautsprecher

Gibt eine eingespeiste Stimme aus.

Kontrolleinheit (YVC-CTU1000): Rückseite



① Netzanschluss

Wird zum Anschließen des mitgelieferten Netzkabels verwendet.

② USB-Anschluss

Wird verwendet, um das Gerät über das mitgelieferte USB-Kabel mit einem PC oder Mac zu verbinden.

③ Mikrofonanschluss

Wird verwendet, um über das Mikrophonkabel das mitgelieferte Mikrophon anzuschließen.

④ Anschlüsse für externe Lautsprecher

Werden verwendet, um die Lautsprecher mit einem eingebauten Verstärker zu verbinden.

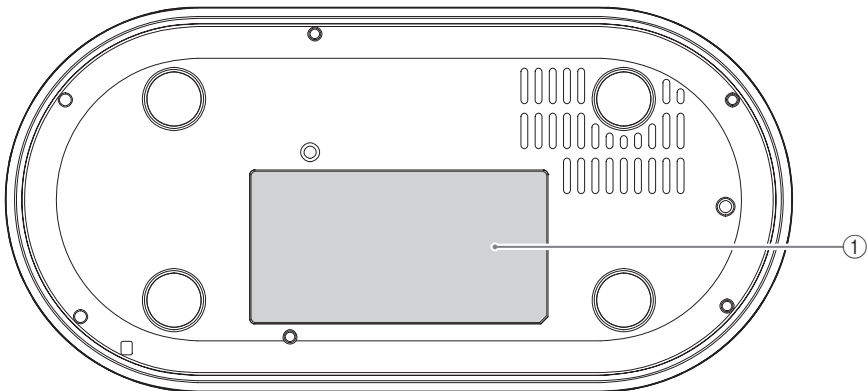
⑤ Audio-Ausgangsanschlüsse (AUDIO OUT)

Werden verwendet, um die Audio-Eingangsanschlüsse eines Videokonferenzsystems anzuschließen.

⑥ Audio-Eingangsanschlüsse (AUDIO IN)

Werden verwendet, um die Audio-Ausgangsanschlüsse eines Videokonferenzsystems anzuschließen.

Kontrolleinheit (YVC-CTU1000): Unterseite



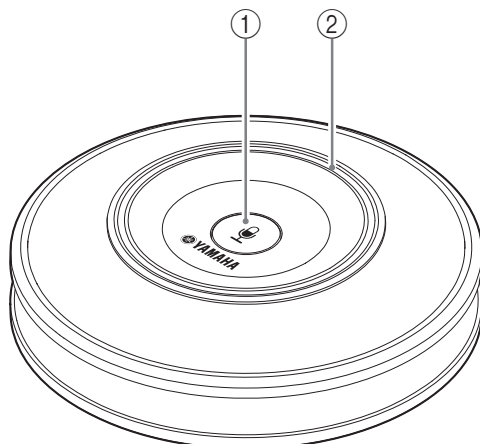
① Typenschild

Enthält die folgenden Informationen.

Model No.: Nummer des Gerätemodells

SERIAL LABEL: Seriennummer des Produkts

Mikrofon (YVC-MIC1000)



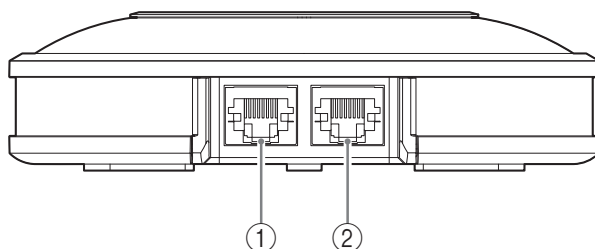
① Mikrofon-Stummschaltungstaste

Drücken Sie diese Taste, um das Mikrofon vorübergehend aus- (stumm-) zuschalten. Um die Stummschaltung aufzuheben, drücken Sie die Taste erneut.

② Mikrofon-Statusanzeige

Leuchtet grün, wenn das Mikrofon aktiv ist. Blinkt rot, wenn das Mikrofon stummgeschaltet ist.

Mikrofon (YVC-MIC1000): Seite

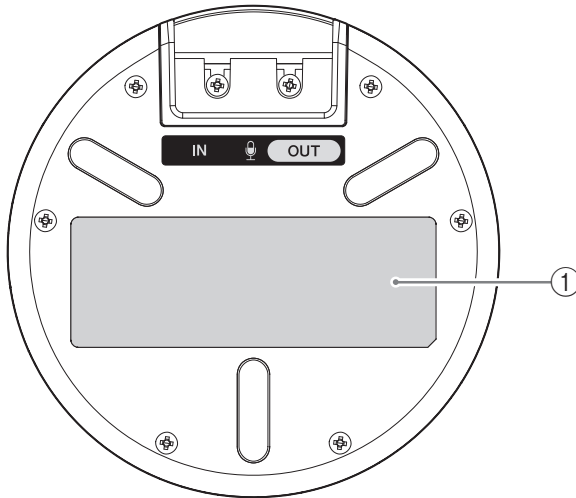


① Eingangsanschluss (IN)

Hier kann über das Mikrofonkabel das optional erhältliche Mikrofon (YVC-MIC1000EX) angeschlossen werden.

② Ausgangsanschluss (OUT)

Hier kann über das Mikrofonkabel die Kontrolleinheit angeschlossen werden.

Mikrofon (YVC-MIC1000): Unterseite**① Typenschild**

Enthält die folgenden Informationen.

Model No.: Nummer des Gerätemodells

SERIAL LABEL: Seriennummer des Produkts

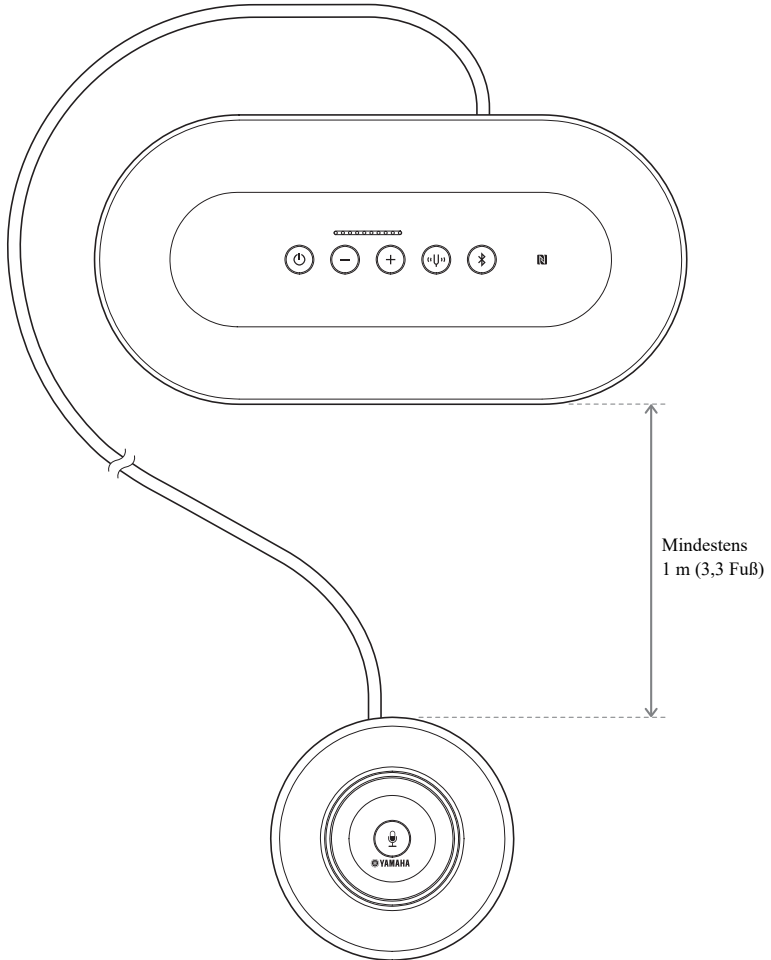
Einrichtung für den Gebrauch

Installation

Installieren Sie das Produkt an einem Ort, an dem es verwendet werden soll.

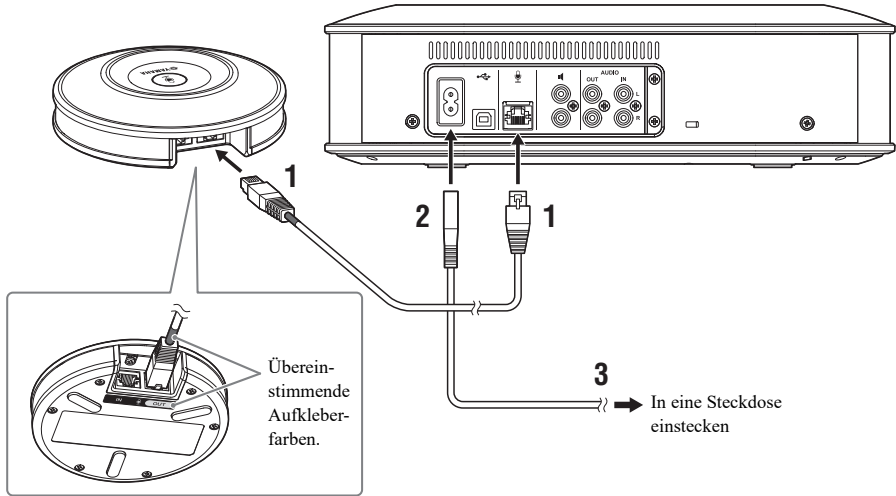
Hinweise zur Installation

- Platzieren Sie das Mikrofon mindestens 1 m (3,3 Fuß) von der Kontrolleinheit entfernt.
- Halten Sie das Mikrofon von Geräuschquellen fern.



Anschließen von Mikrofon- und Netzkabel

Schließen Sie das mit dem Produkt mitgelieferte Mikrofon- und Netzkabel an.



Hinweise

- Beim Anschließen des Mikrofonkabels müssen die Farben der Aufkleber am Mikrofonkabel und am Ausgangsanschluss (OUT) des Mikrofons miteinander übereinstimmen.
- Achten Sie darauf, das Netzkabel vollständig in den Netzanschluss der Kontrolleinheit und in die Steckdose einzustecken.

☀ Tipp

An das Gerät können insgesamt fünf Mikrofone angeschlossen werden, darunter das mitgelieferte Mikrofon und optional erhältliche Mikrofone (YVC-MIC1000EX). (Einzelheiten hierzu finden Sie in der Bedienungsanleitung.)

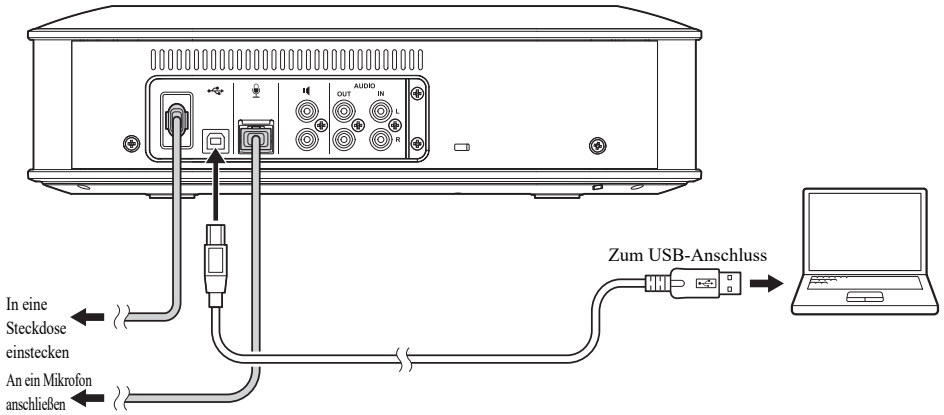
Ändern der Einstellungen

Umschalten der Sprache für die Sprachanweisungen

Drücken Sie mehrmals die Lautstärketaste + (⊕), während Sie die Stimmgabeltaste (⊕) gedrückt halten. Mit jedem Drücken der Lautstärketaste + (⊕) wird die Sprache umgeschaltet. Ausführliche Anweisungen hierzu finden Sie in der Bedienungsanleitung.

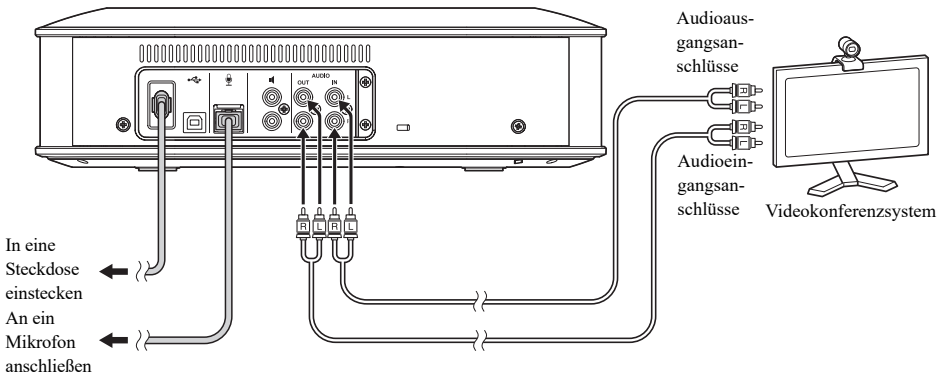
Anschließen an Kommunikationsgeräte

Anschließen an einen PC oder Mac über USB-Kabel



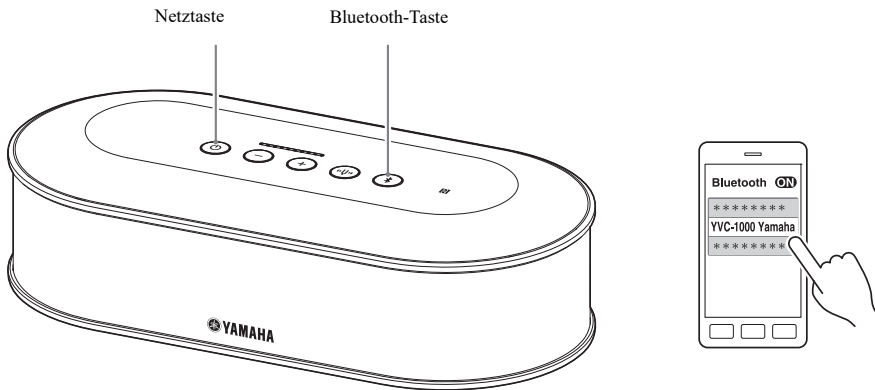
Nachdem Sie das Gerät angeschlossen haben, schalten Sie es ein und vergewissern Sie sich, dass es vom PC bzw. Mac korrekt erkannt wird.
Ausführliche Anweisungen hierzu finden Sie in der Bedienungsanleitung.

Anschließen an ein Videokonferenzsystem über Audiokabel



Nachdem Sie das Gerät angeschlossen haben, ändern Sie die Einstellungen des Videokonferenzsystems, so dass das Gerät als Mikrofon und Lautsprecher verwendet wird.
Ausführliche Anweisungen hierzu finden Sie in der Bedienungsanleitung.

Verbinden mit einem Smartphone oder Tablet über Bluetooth



■ Koppeln

- 1 Drücken Sie die Netztaste, um das Gerät einzuschalten.
- 2 Drücken Sie die Bluetooth-Taste.
Die Bluetooth-Taste blinkt blau.
- 3 Halten Sie die Bluetooth-Taste mindestens zwei Sekunden lang gedrückt.
Die Bluetooth-Taste blinkt in sehr kurzen Abständen blau, um anzuzeigen, dass die Kopplung durchgeführt werden kann.
- 4 Führen Sie den Kopplungsvorgang mit dem Smartphone oder Tablet durch.

■ Verbinden mit einem gekoppelten Smartphone oder Tablet über Bluetooth

- 1 Drücken Sie die Netztaste, um das Gerät einzuschalten.
- 2 Drücken Sie die Bluetooth-Taste.
Die Bluetooth-Taste blinkt blau, um anzuzeigen, dass das Produkt über Bluetooth verbunden werden kann.
- 3 Führen Sie den Verbindungsvorgang mit dem Smartphone oder Tablet durch.
Wenn die Verbindung hergestellt ist, leuchtet die Bluetooth-Taste blau.

Ausführliche Anweisungen hierzu finden Sie in der Bedienungsanleitung.

Technische Daten

Allgemeines

| | |
|----------------------------------|--|
| Schnittstelle: | Kontrolleinheit: USB 2.0 High Speed, Bluetooth, NFC (Near Field Communication), Audioeingangsanschlüsse (Stereo-Cinch-Buchse), Audioausgangsanschlüsse (Stereo-Cinch-Buchse), Anschluss für externe Lautsprecher (Cinch-Buchse) x 2, Netzanschluss, Mikrofonanschluss Mikrofon: Ein- und Ausgangsanschluss |
| Leistungsaufnahme (max.): | 20 W (bei einem angeschlossenen Mikrofon), 35 W (bei fünf angeschlossenen Mikrofonen) |
| Betriebsumgebung: | Temperatur: 0 bis 40 °C (32 bis 104 °F) Luftfeuchtigkeit: 20 bis 85 % (keine Kondensation) |
| Lagerungsumgebung: | Temperatur: -20 bis +50 °C (-4 bis 122 °F) Luftfeuchtigkeit: 10 bis 90 % (keine Kondensation) |
| Abmessungen: | Kontrolleinheit (B x H x T): 332 x 95 x 162 mm (13,1 x 3,74 x 6,38") Mikrofon (B x H x T): 136 x 36 x 136 mm (5,35 x 1,42 x 5,35") |
| Gewicht: | Kontrolleinheit: 1,8 kg (4,0 lbs) Mikrofon: 0,4 kg (0,9 lbs) |
| Stromversorgung: | Modelle für die USA und Kanada: AC 120 V (60 Hz) Modell für Japan: AC 100 V (50/60Hz) Modell für China: AC 220 V (50 Hz) Modell für Korea: AC 110/220 V (60 Hz) Modelle für UK, Europa und Russland: AC 220-240 V (50 Hz) |
| PC/Mac-Umgebung: | Betriebssystem: Windows (*1), macOS (*1) USB: USB 2.0 oder höher |
| Bluetooth: | Bluetooth-Spezifikationsversion: 2.1 + EDR Unterstützte Profile: HFP (1.6), A2DP Unterstützte Codecs: SBC, mSBC, CVSD Wireless-Ausgang: Klasse 2 Maximaler Übertragungsweg: 10 m Funkfrequenz (Betriebsfrequenz): 2.402 MHz bis 2.480 MHz Maximale Ausgangsleistung (EIRP): 4,0 dBm (2,5 mW) |
| NFC: | Kompatible Geräte: NFC-kompatible Android-Geräte Funkfrequenz (Betriebsfrequenz): 13,56 MHz |
| Sprachanweisungen: | Englisch, Japanisch, Chinesisch, Koreanisch, Französisch, Spanisch, Deutsch |
| Zubehör: | Netzkabel (3 m), USB-Kabel (5 m), Mikrofonkabel (5 m), Kurzanleitung |
| Sonstiges: | Firmware-Update (Übertragung vom PC über USB) |

(*1) Unterstützte Versionen finden Sie auf der folgenden Webseite:

<https://uc.yamaha.com/>

Audio

| | |
|----------------------------|---|
| Mikrofone: | Unidirektional x 3 |
| Lautsprecher: | Vollspektrum x 1 |
| Signalverarbeitung: | Adaptive Echounterdrückung, Rauschunterdrückung, automatische Verfolgung, automatische Verstärkungsregelung, automatischer Raum-EQ, Enthüllung, automatische Audio-Abstimmung |

Sommario

| | | | |
|---|----------|--|-----------|
| Precauzioni relative alla sicurezza | 2 | Impostazioni per l'utilizzo | 12 |
| Precauzioni per l'uso | 4 | Installazione | 12 |
| Bluetooth® | 4 | Collegamento del microfono e del cavo di alimentazione | 13 |
| Posizione delle targhe informative | 5 | Modifica dell'impostazione | 13 |
| Introduzione | 6 | Modifica della lingua della guida vocale | 13 |
| Verifica della confezione | 6 | Collegamento all'apparecchiatura di comunicazione | 14 |
| Note su questo opuscolo | 6 | Collegamento di un PC o un Mac tramite cavo USB | 14 |
| Leggere la presente guida e gli altri manuali | 7 | Collegamento a un sistema di video conferenza tramite cavi audio | 14 |
| Utilizzo delle nuove funzioni | 7 | Collegamento a uno smartphone o un tablet via Bluetooth | 15 |
| Utilizzo di software open source | 7 | Caratteristiche tecniche | 16 |
| Controlli e funzioni | 8 | Generali | 16 |
| Unità di Controllo (YVC-CTU1000) | 8 | Audio | 17 |
| Unità di Controllo (YVC-CTU1000): Pannello posteriore | 9 | | |
| Unità di Controllo (YVC-CTU1000): Pannello inferiore | 9 | | |
| Microfono (YVC-MIC1000) | 10 | | |
| Microfono (YVC-MIC1000): Pannello laterale | 10 | | |
| Microfono (YVC-MIC1000): Pannello inferiore | 11 | | |

Precauzioni relative alla sicurezza

- 1 Assicurarsi di scollegare immediatamente la spina del cavo di alimentazione dalla presa di corrente in tutti i seguenti casi. In caso contrario, è possibile causare un incendio o indurre una scossa elettrica. Per tutte le operazioni di manutenzione, ispezione o riparazione, consultare il rivenditore.
 - Si avvertono strani odori o rumori;
 - Si verifica emissione di fumo;
 - Il prodotto è rotto, oppure
 - Il prodotto è stato contaminato dall'acqua.
- 2 Assicurarsi di non danneggiare il cavo di alimentazione. In caso contrario, è possibile causare un incendio, indurre una scossa elettrica o danneggiare il prodotto.
 - Non collocare oggetti pesanti sul cavo.
 - Evitare di alterare il cavo in alcun modo.
 - Non utilizzare punti metallici per fermare il cavo nella posizione desiderata.
 - Non applicare eccessiva forza nell'uso del cavo.
 - Assicurarsi di mantenere il cavo lontano da fonti di calore.
- 3 Utilizzare esclusivamente il cavo di alimentazione in dotazione. In caso contrario, è possibile causare un incendio, indurre una scossa elettrica o danneggiare il prodotto.
- 4 Assicurarsi della compatibilità della corrente di rete. In caso contrario, è possibile causare un incendio, indurre una scossa elettrica o danneggiare il prodotto.
- 5 Collegare la spina del cavo di alimentazione a una presa facilmente accessibile, per poterla eventualmente scollegare rapidamente in caso di emergenza.
- 6 Assicurarsi di aver inserito la spina del cavo di alimentazione completamente nella presa di corrente. L'inserimento parziale può indurre una scossa elettrica. Inoltre, l'accumulo di polvere sui terminali della spina può causare il surriscaldamento o innesicare un incendio.
- 7 Verificare che l'utilizzo del prodotto non ecceda l'assorbimento di corrente della rete o della multipresa utilizzata. Qualsiasi tipo di surriscaldamento o degrado delle prestazioni della multipresa può causare un incendio.
- 8 Non toccare i terminali elettrici con le dita od oggetti metallici. In caso contrario, è possibile subire una scossa elettrica o danneggiare il prodotto.
- 9 Evitare di far cadere il prodotto o di sottoporlo a forti urti. In caso contrario, i componenti interni e il prodotto potrebbero subire danni, e indurre una scossa elettrica o causare un incendio.
- 10 Se il prodotto presenta danni, richiedere l'assistenza o l'ispezione da parte del rivenditore.

L'utilizzo in condizioni non sicure può causare un incendio o indurre una scossa elettrica.
- 11 Non smontare o alterare il prodotto in alcun modo. In caso contrario, è possibile causare un incendio, indurre una scossa elettrica o danneggiare il prodotto.
- 12 Evitare di ostruire le prese di ventilazione.
 - Non collocare panni, tovaglie od oggetti simili sopra il prodotto.
 - Non collocare il prodotto sopra un tappeto, moquette, ecc.
 - Non tentare di inserire o forzare il prodotto all'interno di spazi non dotati di una sufficiente circolazione dell'aria.
 - Evitare di bloccare i fori di ventilazione.

Assicurarsi di lasciare almeno 1 cm di spazio sopra e ai lati del prodotto, e almeno 5 cm sul retro.

In caso contrario, è possibile che all'interno del prodotto si verifichi un surriscaldamento che potrebbe causare un incendio o danneggiare il prodotto.
- 13 Non collocare il prodotto all'esterno o in luoghi soggetti a contaminazione dall'acqua. In caso contrario, è possibile causare un incendio, subire una scossa elettrica o danneggiare il prodotto.
- 14 Non installare il prodotto in luoghi polverosi o umidi, ambienti saturi di fumo da combustibile o vapore e gas corrosivi. In caso contrario, è possibile causare un incendio, indurre una scossa elettrica o danneggiare il prodotto.
- 15 Posizionare il prodotto su un piano orizzontale. Non collocarlo sottosopra o in posizione verticale. In caso contrario, è possibile causare un incendio, subire una scossa elettrica o danneggiare il prodotto.
- 16 Evitare di installare il prodotto in luoghi ove è possibile la caduta di oggetti e/o in ambienti dove si possa verificare la contaminazione da liquidi o acqua. Evitare di collocare sul prodotto:
 - altri componenti dell'attrezzatura, in quanto ciò potrebbe causare danni e/o scolorire la superficie del prodotto.
 - oggetti incandescenti (es.: candele), in quanto ciò potrebbe causare incendi, danneggiare il prodotto o provocare infortuni al personale.
 - contenitori con liquidi, in quanto il loro rovesciamento potrebbe indurre una scossa elettrica all'utente e/o danneggiare il prodotto.
- 17 Non tentare di inserire all'interno del prodotto oggetti di metallo o carta. In caso contrario, è possibile causare un incendio, subire una scossa elettrica o danneggiare il prodotto.
- 18 In caso di temporale, evitare di toccare il prodotto. In caso contrario, è possibile subire una scossa elettrica.
- 19 A intervalli regolari, rimuovere gli accumuli di sporcizia o polvere dalla spina del cavo di alimentazione. In caso contrario, è possibile causare un incendio.
- 20 Il presente prodotto dovrebbe essere utilizzato a una distanza minima di 22 cm da portatori di pacemaker, defibrillatori o dispositivi simili. In caso contrario, è possibile interferire con il funzionamento del pacemaker e causare seri danni alla persona.
- 21 Non utilizzare il prodotto in prossimità di apparecchiatura medica. Le onde radio del prodotto potrebbero influire sul funzionamento di apparecchiatura medica elettrica. Non utilizzare il prodotto in ambienti dove l'emissione di onde radio è limitata, ad esempio in prossimità di apparecchiature mediche.
- 22 Evitare di danneggiare i cavi USB e microfonici.
 - Non collocare oggetti pesanti sui cavi.
 - Non tentare di alterare i cavi.
 - Non utilizzare punti metallici per fermare i cavi nella posizione desiderata.
 - Non applicare eccessiva forza nell'uso dei cavi.
 - Non collocare i cavi vicino a fonti di calore.

In caso contrario, è possibile causare un incendio, indurre una scossa elettrica o danneggiare il prodotto.
- 23 Assicurarsi di utilizzare i cavi USB e del microfono inclusi con il prodotto. L'utilizzo di altri cavi USB o microfonici può causare un incendio, indurre una scossa elettrica o danneggiare il prodotto.
- 24 Nel caso non se ne preveda l'utilizzo per un periodo di tempo prolungato, scollegare tutte le spine dei cavi di alimentazione dalle prese di corrente. In caso contrario, è possibile causare un incendio o indurre una scossa elettrica.
- 25 Assicurarsi che le mani siano asciutte prima di collegare o scollegare le spine di corrente o i cavi di collegamento. In caso contrario, è possibile subire una scossa elettrica o danneggiare il prodotto.
- 26 Evitare di installare il prodotto su superfici instabili o soggette a vibrazioni, in quanto un'eventuale caduta o rovesciamento potrebbe causare danni a persone o danneggiare il prodotto.
- 27 Evitare di esporre il prodotto alla luce solare diretta o di sottoporlo a temperature eccessive (vicino a un radiatore, ecc.). In caso contrario, è possibile danneggiare il prodotto.
- 28 Evitare di sedersi sopra/calpestare il prodotto, né collocare sopra di esso alcun oggetto. In caso contrario, è possibile danneggiare il prodotto.

- 29 Abbassare il volume al minimo prima di avviare la riproduzione. In caso contrario, è possibile che l'emissione di suoni ad alto volume possa causare danni all'udito.
- 30 Evitare di utilizzare il prodotto in tutti quei casi in cui si verificano rapide escursioni di temperatura nell'ambiente. Repentini cambi di temperatura possono causare l'accumulo di condensa sul prodotto, che potrebbe causarne il danneggiamento. Se ciò dovesse verificarsi, prima di accendere il prodotto assicurarsi di lasciar passare abbastanza tempo per dar modo alla condensa di evaporare.
- 31 Non collegare alcun cavo se l'unità è accesa. In caso contrario, è possibile danneggiare il prodotto e gli eventuali dispositivi collegati.
- 32 Prima di toccare il prodotto, assicurarsi di scaricare a terra l'elettricità statica naturalmente presente sul corpo o sui vestiti. In caso contrario, è possibile danneggiare il prodotto.
- 33 Ordinare i cavi di collegamento in modo corretto. I cavi possono essere causa di intralcio, e se non ben organizzati possono provocare incidenti o far cadere i componenti del sistema, causando danni a cose o persone.
- 34 Prima di collegare eventuali dispositivi esterni, leggere i rispettivi manuali dell'utente, e rispettare le indicazioni in essi fornite.

Questa unità non viene scollegata dalla fonte di alimentazione CA fintanto che essa rimane collegata alla presa di rete, ciò anche se l'unità viene spenta. Questo stato viene chiamato modo di standby. In questo stato l'unità consuma una quantità minima di corrente.

Avvertenza: il funzionamento di questo apparecchio in ambiente residenziale potrebbe causare interferenze radio.

Precauzioni per l'uso

- Questo prodotto è stato realizzato per l'uso generico in ufficio, e non per scopi in cui è richiesto un elevato grado di affidabilità nella riproduzione della voce umana o di altre risorse di valore.
- Yamaha declina ogni responsabilità per qualsivoglia danno causato dall'utilizzo improprio o la non corretta configurazione del prodotto.
- A seconda delle condizioni d'utilizzo, il prodotto potrebbe generare rumore e interferire con telefoni, radio, televisori ecc. Qualora ciò dovesse verificarsi, installare il prodotto in altri locali o modificarne l'orientamento.
- Nel caso si ceda il prodotto a terze parti, assicurarsi di trasferire anche il manuale dell'utente e gli accessori.
- Smaltire il prodotto secondo le direttive e le istruzioni degli enti locali.
- Evitare di collegare alla stessa presa di corrente del prodotto unità che producono rumore.

Informazioni per gli utenti sulla raccolta e lo smaltimento di vecchia attrezzatura



Questi simboli sui prodotti, sull'imballaggio e/o sui documenti che li accompagnano, indicano che i prodotti elettrici ed elettronici non devono essere mischiati con i rifiuti generici.

Per il trattamento, il recupero e il riciclaggio appropriato di vecchi prodotti, si prega di portarli ai punti di raccolta designati, in accordo con la legislazione locale.

Smaltendo correttamente questi prodotti si potranno recuperare risorse preziose, oltre a prevenire potenziali effetti negativi sulla salute e l'ambiente che potrebbero sorgere a causa del trattamento improprio dei rifiuti.

Per ulteriori informazioni sulla raccolta e il riciclaggio di vecchi prodotti, si prega di contattare l'amministrazione comunale locale, il servizio di smaltimento dei rifiuti o il punto vendita dove sono stati acquistati gli articoli.

Per utenti imprenditori dell'Unione europea:

Se si desidera scartare attrezzatura elettrica ed elettronica, si prega di contattare il proprio rivenditore o il proprio fornitore per ulteriori informazioni.

Informazioni sullo smaltimento negli altri Paesi al di fuori dell'Unione europea:

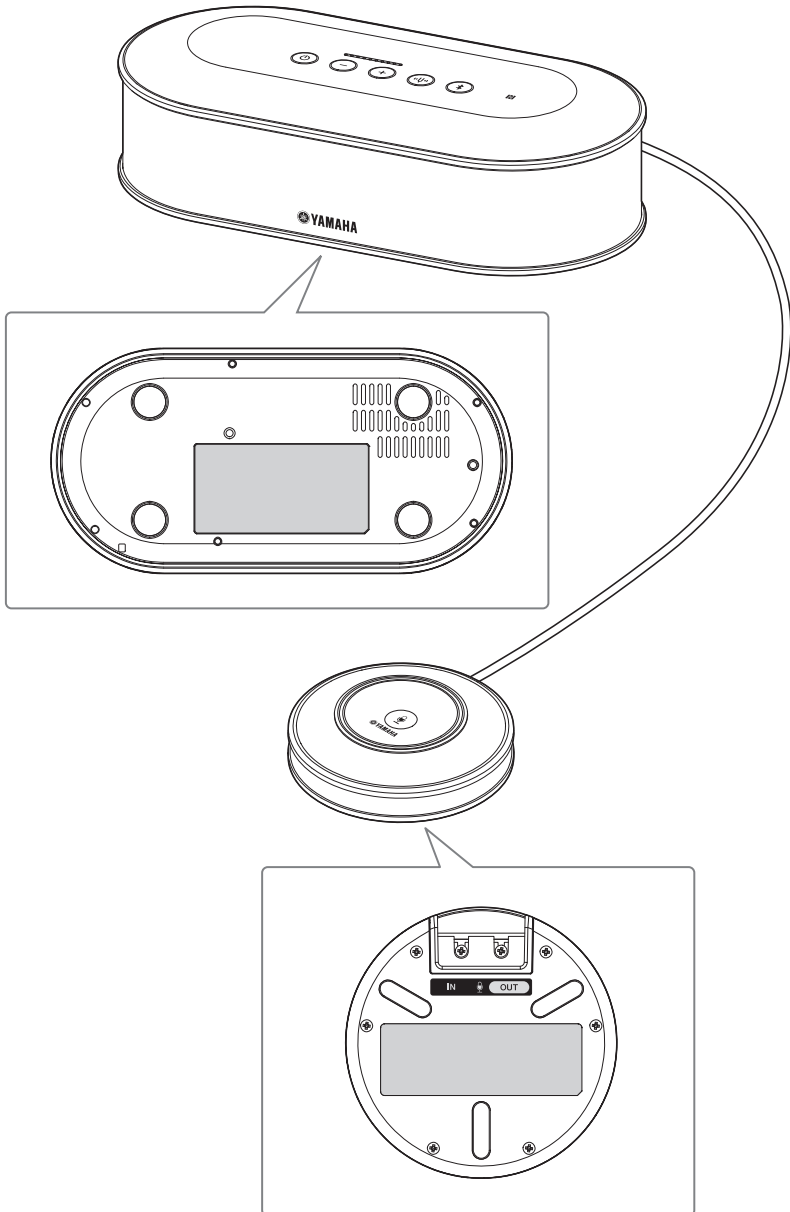
Questi simboli sono validi solamente nell'Unione Europea; se si desidera scartare questi articoli, si prega di contattare le autorità locali o il rivenditore e richiedere informazioni sulla corretta modalità di smaltimento.

Bluetooth®

- Bluetooth è una tecnologia di comunicazione wireless tra dispositivi mediante la banda di frequenza di 2,4 GHz, una banda utilizzabile senza licenza.
- La banda di 2,4 GHz utilizzata dai dispositivi compatibili Bluetooth è una banda radio condivisa da molti tipi di apparecchiature. Anche se i dispositivi compatibili Bluetooth utilizzano una tecnologia che riduce l'influenza di altri componenti che utilizzano la stessa banda radio, tale influenza può ridurre la velocità o la distanza di comunicazione e, in alcuni casi, interrompere le comunicazioni.
- La velocità di trasferimento del segnale e la distanza alla quale la comunicazione è possibile variano a seconda della distanza tra i dispositivi comunicanti, della presenza di ostacoli, delle condizioni delle onde radio e del tipo di apparecchiatura.
- Yamaha non fornisce alcuna garanzia in merito ai collegamenti wireless tra l'unità e i dispositivi compatibili con la funzione Bluetooth.

Posizione delle targhe informative

Le targhe riportanti informazioni sono collocate sul pannello inferiore dell'Unità di Controllo e del microfono.



Introduzione

Grazie per aver scelto l'unità Yamaha YVC-1000. L'unità YVC-1000 è un Sistema Integrato di Microfoni ed Altoparlanti per Comunicazioni Unificate che può essere utilizzato come terminale audio se collegato ad altri dispositivi di comunicazione, come ad esempio un computer (PC o Mac), uno smartphone, un tablet e un sistema di videoconferenza.

Leggere attentamente tutto il manuale prima di installare e utilizzare il prodotto.

Conservare il manuale per qualsiasi riferimento futuro.

- L'utilizzo o la copia del presente manuale per altri scopi sono soggetti a licenza da parte di Yamaha.
- Il contenuto del presente manuale si applica alle ultime specifiche tecniche a partire dalla data di pubblicazione. Per ottenere la versione più recente del manuale, accedere al sito Web riportato di seguito e scaricare il file corrispondente. <https://uc.yamaha.com/resources/support/>
- Yamaha non potrà essere ritenuta responsabile per perdita o danneggiamento dei dati derivanti dall'uso del presente prodotto. La garanzia è a copertura dei soli costi di riparazione del prodotto.

Verifica della confezione

- Unità di Controllo (YVC-CTU1000) x 1
- Microfono (YVC-MIC1000) x 1
- Cavo di alimentazione (3 m) x 1
- Cavo USB (5 m) x 1
- Cavo per microfono (5 m) x 1
- Guida rapida (il presente manuale) x 1

Note su questo opuscolo

■ Note sulle abbreviazioni

In questo manuale i vari prodotti sono così chiamati:

- Yamaha YVC-1000: l'apparecchio
- Microsoft® Windows®: Windows
- macOS®: macOS

■ Note sui marchi di fabbrica

- Microsoft e Windows sono marchi di fabbrica di Microsoft Corporation depositati negli Stati Uniti d'America e in altri Paesi.
- Mac e macOS sono marchi di fabbrica registrati di Apple Inc.
- Android™ è un marchio o marchio registrato di Google Inc.
- Bluetooth® è un marchio registrato di Bluetooth SIG ed è utilizzato da Yamaha dietro accordo di licenza.
- Il logo NFC (N-Mark) è un marchio o marchio registrato di NFC Forum, Inc.

Leggere la presente guida e gli altri manuali

Il presente manuale contiene solo le informazioni di base.

Per maggiori dettagli sulle funzioni e su come utilizzare il prodotto, consultare:

Manuale dell'utente: contiene informazioni sull'utilizzo del prodotto, incluse le impostazioni avanzate e altre funzioni utili.

L'ultima versione del manuale dell'utente può essere scaricata dalla pagina di download sul nostro sito internet.

Per configurare le impostazioni di altri apparati di comunicazione, fare riferimento ai rispettivi manuali dell'utente.

Utilizzo delle nuove funzioni

Per utilizzare le nuove funzioni, scaricare il firmware (programma del prodotto) dalla pagina di download sul nostro sito internet.

■ Pagina di download

<https://uc.yamaha.com/resources/support/>

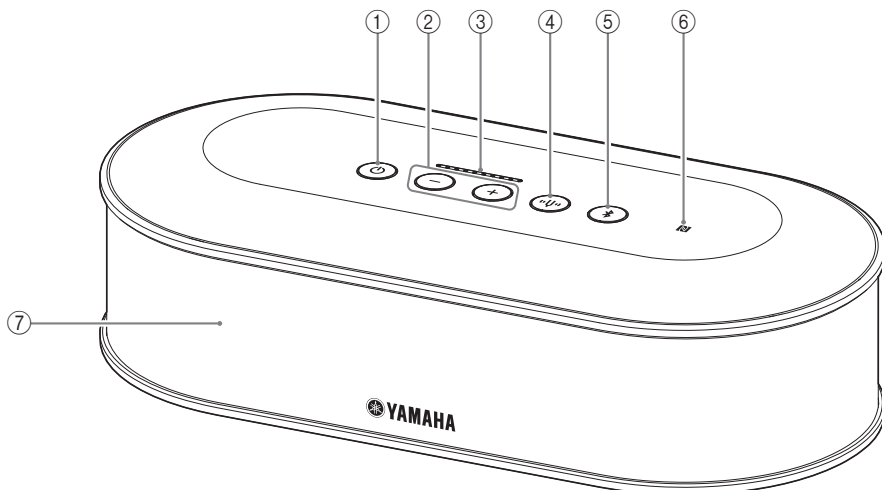
Utilizzo di software open source

Questo prodotto utilizza un software open source.

Il contenuto della licenza è incluso nel manuale dell'utente.

Controlli e funzioni

Unità di Controllo (YVC-CTU1000)



① Pulsante/indicatore di accensione

Premere questo pulsante per accendere il prodotto. Tenere premuto il pulsante per due o più secondi per entrare in modalità standby. L'indicatore si illumina in verde quando il prodotto è acceso, e in rosso quando è in condizioni di standby.

② Pulsanti/indicatori di volume +/-

Regolano il volume dell'altoparlante. Tenendo un pulsante premuto per 0,5 o più secondi, il volume aumenta o diminuisce in modo continuo. Tenendo premuti contemporaneamente entrambi i pulsanti + e - per due o più secondi, è possibile alternare l'uscita tra l'altoparlante interno e quelli esterni.

③ Indicatore di livello del volume

Generalmente mostra il livello audio della voce in ingresso. Durante la regolazione del volume dell'altoparlante o la selezione di un altoparlante esterno, mostra le relative impostazioni.

④ Pulsante/indicatore diapason

Si illumina o lampeggia in arancione in presenza di problemi. Se si verifica un problema, premere il pulsante diapason per attivare la voce guida relativa al problema rilevato.

Se tenuto premuto per due o più secondi, il prodotto misura automaticamente le condizioni acustiche ambientali e regola le impostazioni audio per consentire il funzionamento ottimale (regolazione audio automatica).

⑤ Pulsante/indicatore Bluetooth

Premere per accoppiare o collegare uno smartphone o un tablet Bluetooth compatibile. Se un dispositivo Bluetooth è già accoppiato, premendo il pulsante è possibile disconnetterlo.

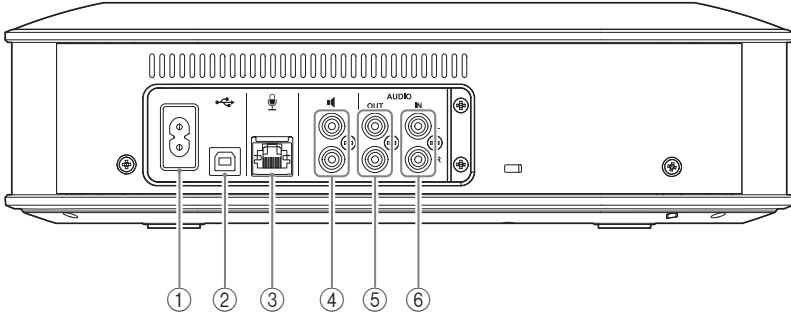
⑥ Logo NFC (N-Mark)

Posizionando uno smartphone o un tablet Bluetooth compatibile con il protocollo NFC (Near Field Communication) sopra il logo N-Mark è possibile accoppiarlo o connetterlo al/disconnetterlo dal prodotto.

⑦ Altoparlante interno

Consente di ascoltare la voce in ingresso.

Unità di Controllo (YVC-CTU1000): Pannello posteriore



① Presa di alimentazione

Per il collegamento del cavo di alimentazione in dotazione.

② Porta USB

Consente il collegamento di un computer (PC o Mac) tramite il cavo USB in dotazione.

③ Ingresso microfono

Permette il collegamento del microfono in dotazione con l'apposito cavo.

④ Uscite altoparlanti esterni

Consentono il collegamento di altoparlanti amplificati.

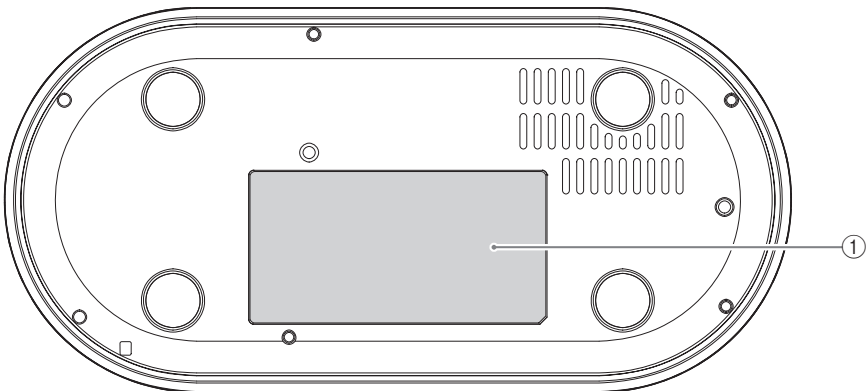
⑤ Uscite audio (AUDIO OUT)

Consentono il collegamento del prodotto agli ingressi audio di un sistema di video conferenza.

⑥ Ingressi audio (AUDIO IN)

Consentono il collegamento del prodotto alle uscite audio di un sistema di video conferenza.

Unità di Controllo (YVC-CTU1000): Pannello inferiore



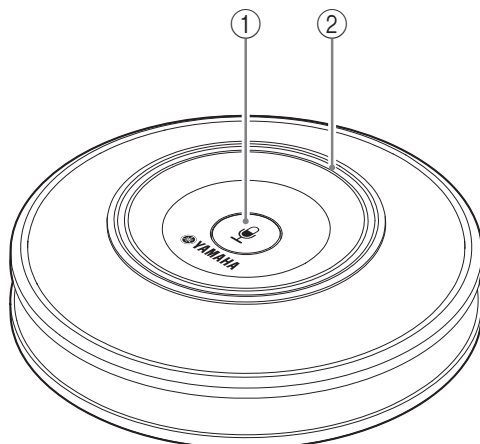
① Targa informativa

Include le seguenti informazioni.

Model No.: Numero del modello del prodotto

SERIAL LABEL: Numero di serie del prodotto

Microfono (YVC-MIC1000)



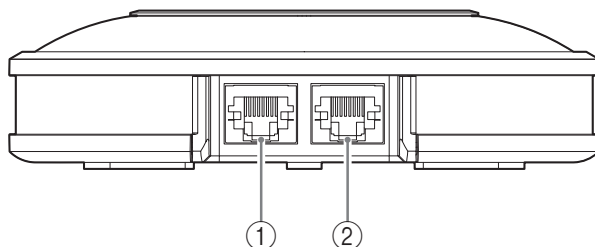
① Pulsante mute del microfono

Se premuto, disattiva (mute) il microfono. Per annullare la funzione mute, premere nuovamente il pulsante.

② Indicatore di stato del microfono

Si illumina in verde per segnalare che il microfono è attivo. Lampeggia in rosso per segnalare che il microfono è disattivato (mute).

Microfono (YVC-MIC1000): Pannello laterale

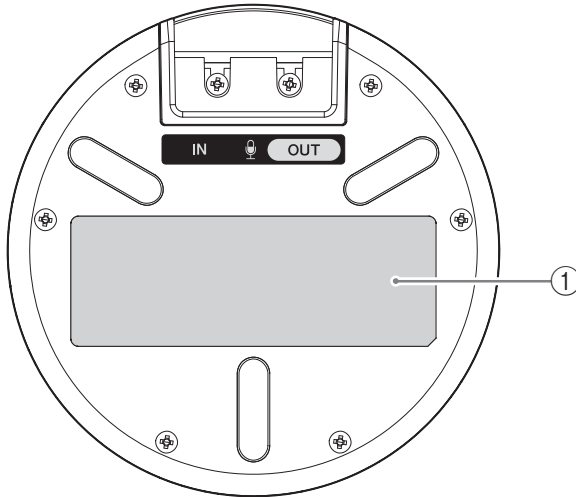


① Ingresso (IN)

Consente il collegamento del microfono opzionale (YVC-MIC1000EX) con un cavo microfonico.

② Uscita (OUT)

Consente il collegamento dell'Unità di Controllo con il cavo microfonico.

Microfono (YVC-MIC1000): Pannello inferiore**① Targa informativa**

Include le seguenti informazioni.

Model No.: Numero del modello del prodotto

SERIAL LABEL: Numero di serie del prodotto

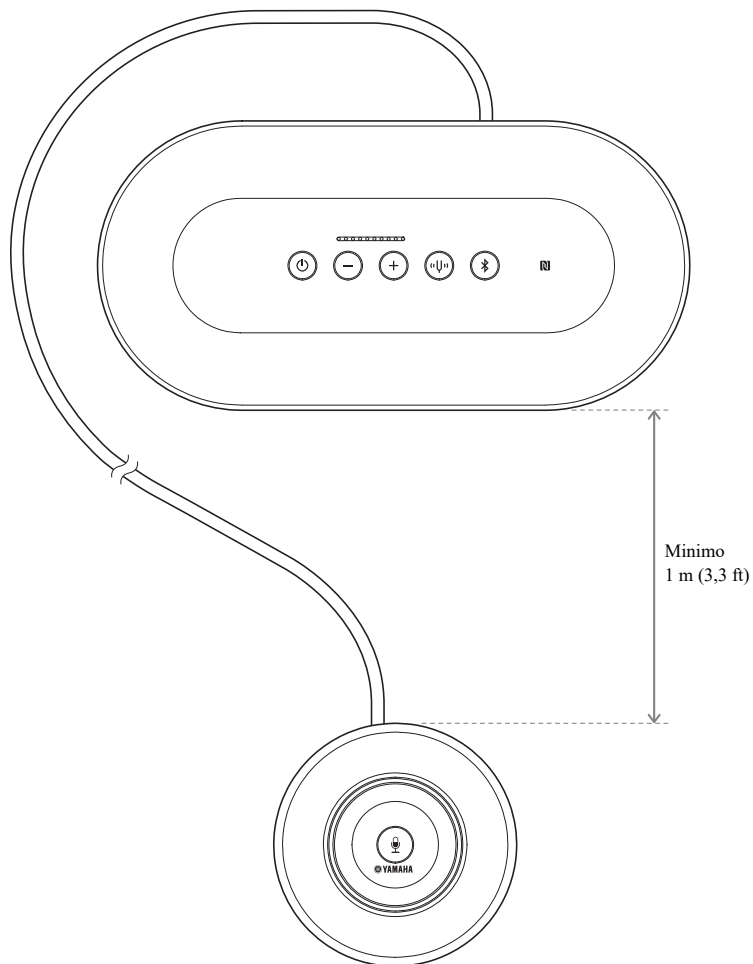
Impostazioni per l'utilizzo

Installazione

Installare il prodotto nel locale previsto per l'utilizzo.

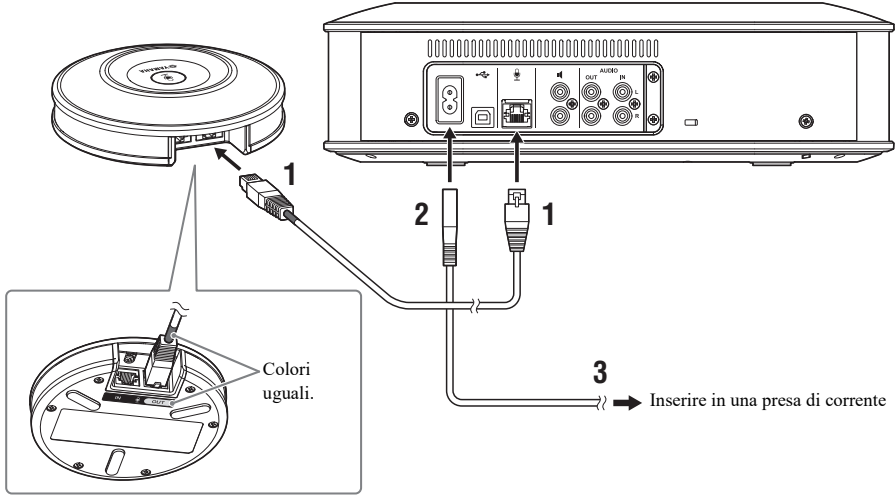
Note sull'installazione

- Posizionare il microfono ad almeno 1 m (3,3 ft) dall'Unità di Controllo.
- Mantenere il microfono lontano da qualsiasi fonte di rumore.



Collegamento del microfono e del cavo di alimentazione

Collegare il microfono e il cavo di alimentazione forniti con il prodotto.



Note

- Per il collegamento del cavo microfonico, assicurarsi che il colore sul cavo microfonico corrisponda al colore dell'uscita microfonica (OUT).
- Verificare di aver ben inserito il cavo di alimentazione dell'Unità di Controllo nella presa di alimentazione e nella presa di corrente.

Suggerimento

Al prodotto è possibile collegare fino a un massimo di cinque microfoni, tra cui quello incluso con il prodotto e gli opzionali (YVC-MIC1000EX). (Per maggiori dettagli, consultare il manuale dell'utente.)

Modifica dell'impostazione

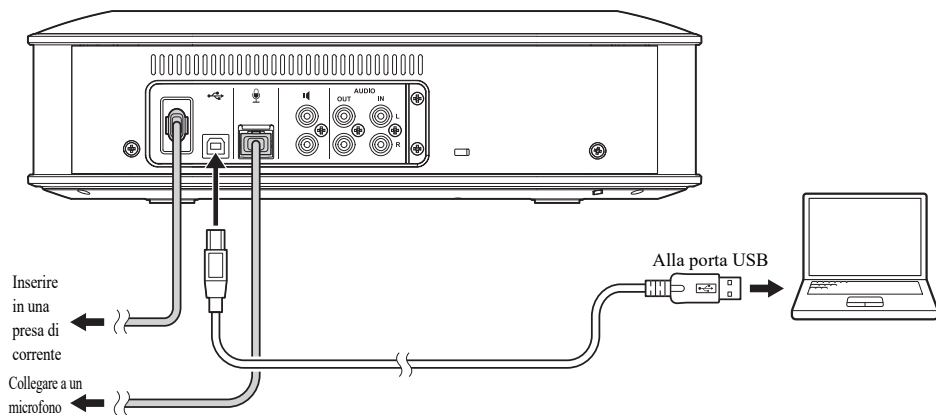
Modifica della lingua della guida vocale

Tenendo premuto il pulsante diapason (Ⓒ), premere ripetutamente il pulsante di volume + (⊕). Ad ogni pressione del pulsante di volume + (⊕) la lingua cambia.

Per maggiori dettagli, consultare il manuale dell'utente.

Collegamento all'apparecchiatura di comunicazione

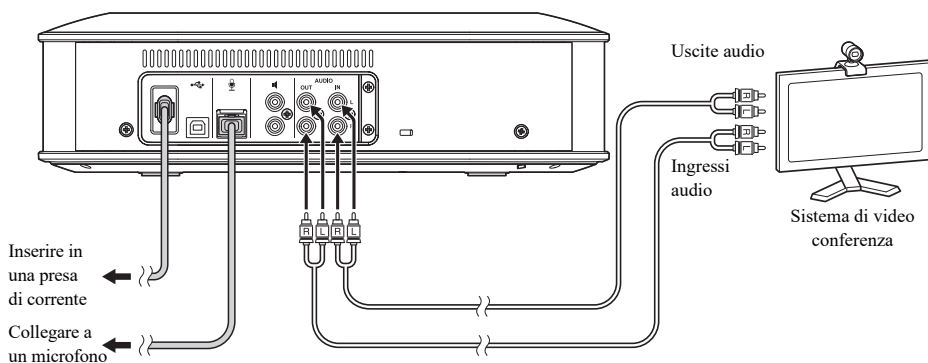
Collegamento di un PC o un Mac tramite cavo USB



Dopo aver effettuato i collegamenti, accendere il prodotto e verificare che venga riconosciuto dal computer (PC o Mac).

Per maggiori dettagli, consultare il manuale dell'utente.

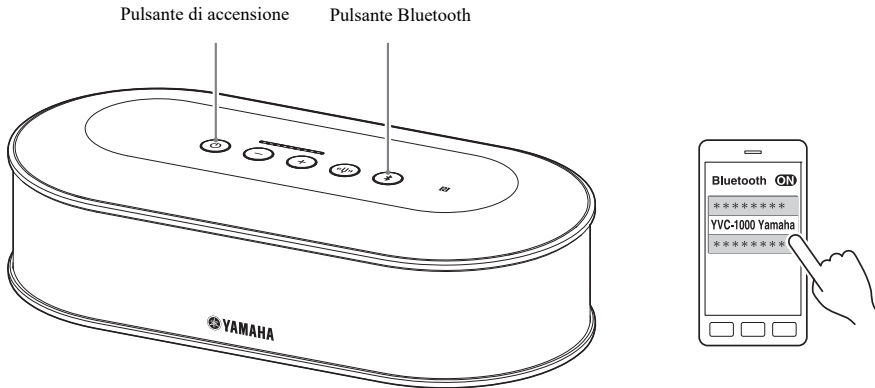
Collegamento a un sistema di video conferenza tramite cavi audio



Dopo aver effettuato i collegamenti, modificare le impostazioni del sistema di video conferenza in maniera da utilizzare il prodotto come microfono e altoparlante.

Per maggiori dettagli, consultare il manuale dell'utente.

Collegamento a uno smartphone o un tablet via Bluetooth



■ Accoppiamento

- 1 Premere il pulsante di accensione per accendere il prodotto.
- 2 Premere il pulsante Bluetooth.
Il pulsante Bluetooth lampeggia in blu.
- 3 Tenere premuto il pulsante Bluetooth per due o più secondi.
Il pulsante Bluetooth lampeggia brevemente in blu per indicare che è possibile effettuare l'accoppiamento.
- 4 Effettuare l'accoppiamento utilizzando lo smartphone o il tablet.

■ Collegamento a uno smartphone o un tablet accoppiati via Bluetooth

- 1 Premere il pulsante di accensione per accendere il prodotto.
- 2 Premere il pulsante Bluetooth.
Il pulsante Bluetooth lampeggia in blu per indicare che il prodotto può essere connesso via Bluetooth.
- 3 Effettuare la connessione Bluetooth utilizzando lo smartphone o il tablet.
A connessione avvenuta, il pulsante Bluetooth si illumina in blu.

Per maggiori dettagli, consultare il manuale dell'utente.

Caratteristiche tecniche

Generali

| | |
|---------------------------------|---|
| Interfaccia: | Unità di Controllo: USB 2.0 High Speed, Bluetooth, NFC (Near Field Communication), Ingressi audio (pin RCA stereo), Uscite audio (pin RCA stereo), Uscita altoparlante esterno (pin RCA) x 2, Presa di alimentazione, Ingresso microfono Microfono: Ingressi e uscite |
| Consumo elettrico (max): | 20 W (con un microfono connesso), 35 W (con cinque microfoni connessi) |
| Ambiente d'uso: | Temperatura: da 0 a 40°C (da 32 a 104°F) Umidità: dal 20 all'85% (senza condensa) |
| Ambiente di stoccaggio: | Temperatura: da -20 a +50°C (da -4 a 122°F) Umidità: dal 10 al 90% (senza condensa) |
| Dimensioni: | Unità di Controllo (L x A x P): 332 x 95 x 162 mm (13,1 x 3,74 x 6,38 in.) Microfono (L x A x P): 136 x 36 x 136 mm (5,35 x 1,42 x 5,35 in.) |
| Peso: | Unità di Controllo: 1,8 kg (4,0 lbs) Microfono: 0,4 kg (0,9 lbs) |
| Alimentazione: | Modelli per Stati Uniti e Canada: 120 Vca (60 Hz) Modello per il Giappone: 100 Vca (50/60Hz) Modello per la Cina: 220 Vca (50 Hz) Modello per la Corea: 110/220 Vca (60 Hz) Modelli per Regno Unito, Europa e Russia: 220-240 Vca (50 Hz) |
| Ambiente PC/Mac: | SO: Windows (*1), macOS (*1) USB: USB 2.0 o successive |
| Bluetooth: | Versione di specifiche Bluetooth: 2.1 + EDR Profili compatibili: HFP (1.6), A2DP Codec compatibili: SBC, mSBC, CVSD Uscita Wireless: Class 2 Distanza massima di comunicazione: 10 m Frequenza radio (frequenza operativa): da 2.402 MHz a 2.480 MHz Potenza di uscita massima (EIRP): 4,0 dBm (2,5 mW) |
| NFC: | Dispositivi compatibili: Dispositivi Android compatibili con NFC Frequenza radio (frequenza operativa): 13,56 MHz |
| Guida vocale: | Inglese, giapponese, cinese, coreano, francese, spagnolo, tedesco |
| Accessori: | Cavo di alimentazione (3 m), cavo USB (5 m), cavo microfonico (5 m), guida rapida |
| Altro: | Aggiornamento firmware (trasferimento da PC via USB) |

(*1) Per le versioni supportate, consultare il seguente sito web:

<https://uc.yamaha.com/>

Audio

Unità microfono: Unidirezionale x 3

**Unità
altoparlante:** Full range x 1

**Elaborazione del
segnale:** Cancellazione dell'eco autoregolata, riduzione del rumore, tracking automatico, controllo di guadagno automatico, EQ ambientale automatica, soppressione del riverbero, regolazione automatica dell'audio

Contenido

| | | | |
|---|----------|--|-----------|
| Precauciones de seguridad | 2 | Preparación para el uso | 12 |
| Precauciones de uso | 4 | Instalación | 12 |
| Acerca de Bluetooth® | 4 | Conexión de los cables de alimentación y del micrófono | 13 |
| Ubicación de las placas identificativas | 5 | Configuración | 13 |
| Introducción | 6 | Cambio del idioma de la guía de voz | 13 |
| Comprobación del contenido | 6 | Conexión a dispositivos de comunicaciones | 14 |
| Acerca de este manual | 6 | Conexión a un PC o Mac mediante el cable USB | 14 |
| Además de este manual, lea otros manuales de instrucciones | 7 | Conexión a un sistema de videoconferencia a través de cables de audio | 14 |
| Uso de las funciones más recientes | 7 | Conexión a un teléfono inteligente o tableta a través de Bluetooth | 15 |
| Uso de software de código abierto | 7 | Especificaciones | 16 |
| Mandos y funciones | 8 | Generales | 16 |
| Unidad de Control (YVC-CTU1000) | 8 | Audio | 17 |
| Unidad de Control (YVC-CTU1000): parte trasera | 9 | | |
| Unidad de Control (YVC-CTU1000): parte inferior | 9 | | |
| Micrófono (YVC-MIC1000) | 10 | | |
| Micrófono (YVC-MIC1000): lateral | 10 | | |
| Micrófono (YVC-MIC1000): parte inferior | 11 | | |

Precauciones de seguridad

- 1 Asegúrese de extraer inmediatamente la clavija de alimentación de la toma en cualquiera de los siguientes casos.
 - Si no lo hace, podría provocar un incendio o descarga eléctrica.
 - Asegúrese de solicitar al distribuidor correspondiente que lleve a cabo las reparaciones o inspecciones necesarias.
 - Se produce un olor o ruido anómalo.
 - Aparece humo.
 - El producto está roto.
 - El producto ha quedado expuesto al agua.
- 2 Asegúrese de no dañar el cable de alimentación. Si lo hace, podría provocar un incendio, descarga eléctrica o daños en el producto.
 - Asegúrese de no colocar objetos pesados sobre el cable.
 - Asegúrese de no manipular el cable de forma alguna.
 - Asegúrese de no utilizar grapas para fijar la posición del cable.
 - Asegúrese de no aplicar fuerza excesiva en el cable.
 - Asegúrese de mantener el cable alejado de fuentes de calor.
- 3 Asegúrese de utilizar únicamente el cable de alimentación incluido. Si no lo hace, podría provocar un incendio, descarga eléctrica o daños en el producto.
- 4 Utilice únicamente la tensión de alimentación especificada. Si no lo hace, podría provocar un incendio, descarga eléctrica o daños en el producto.
- 5 Conecte la clavija de alimentación a una toma que pueda ver y a la que pueda acceder sin problemas; así podrá extraerla fácilmente si fuera necesario.
- 6 Asegúrese de insertar la clavija de alimentación en la toma completamente y de forma segura. Si no la inserta lo suficiente podría provocar una descarga eléctrica. También podría acumularse polvo sobre la clavija, lo que podría provocar calor o un incendio.
- 7 Compruebe la capacidad de corriente de la toma o regleta, y asegúrese de que el producto no la excede. Cualquier sobrecalentamiento o degradación de la regleta podría provocar un incendio.
- 8 No toque los terminales con los dedos ni con objetos metálicos. Si lo hace, podría provocar una descarga eléctrica o daños en el producto.
- 9 Evite que el producto se caiga o sufra impactos fuertes. Las piezas internas podrían romperse, lo que podría provocar un incendio, descarga eléctrica o daños en el producto.
- 10 Si el producto ha sufrido daños, solicite su inspección o reparación a un distribuidor. Si sigue usando el producto podría provocar un incendio o una descarga eléctrica.
- 11 No desmonte ni manipule el producto de forma alguna. Si lo hace, podría provocar un incendio, descarga eléctrica o daños en el producto.
- 12 No obstruya las salidas de calor.
 - No coloque paños, manteles ni ningún otro objeto similar sobre el producto.
 - No coloque el producto sobre una alfombra, moqueta, etc.
 - No coloque el producto en ningún lugar estrecho donde el espacio sea escaso y tenga poca circulación de aire.
 - No tape los orificios de ventilación.
 Deje un espacio de ventilación de al menos 1 cm por arriba, 1 cm por la derecha y por la izquierda, y 5 cm por la parte trasera del producto. Si no cumple las indicaciones anteriores, podría acumularse calor dentro del producto y provocar un incendio o daños en el producto.
- 13 No coloque el producto en exteriores o en lugares donde pudiera mojarse. Si lo hace, podría provocar un incendio, descarga eléctrica o daños en el producto.
- 14 No instale el producto en ningún lugar expuesto a polvo o humedad, humo o vapor de aceite, o gas corrosivo. Si lo hace, podría provocar un incendio, descarga eléctrica o daños en el producto.
- 15 Asegúrese de que el producto está nivelado. No lo coloque boca abajo ni en vertical. Si lo hace podría provocar un incendio, descarga eléctrica o daños en el producto.
- 16 No instale el producto en lugares donde pudieran caer objetos extraños sobre él o donde el producto pudiera quedar expuesto al goteo o proyección de líquidos. No coloque encima del producto lo siguiente:
 - Otros componentes, ya que podrían causar daños o decoloración en la superficie del producto.
 - Objetos incandescentes (p. ej., velas), ya que podrían provocar un incendio, daños en el producto y daños personales.
 - Recipientes con líquido, ya que podrían caer y el líquido podría provocar una descarga eléctrica en el usuario o daños en el producto.
- 17 No inserte objetos extraños, como metales o papel, en el producto. Si lo hace podría provocar un incendio, descarga eléctrica o daños en el producto.
- 18 Si oye un trueno, evite tocar el producto. Si lo hace podría recibir una descarga eléctrica.
- 19 Elimine periódicamente cualquier rastro de polvo o suciedad de la clavija de alimentación. Si no lo hace, podría provocar un incendio.
- 20 El producto debería utilizarse al menos a 22 cm de cualquier marcapasos. Si no se respeta esta distancia, el marcapasos podría verse afectado y desembocar en un accidente grave.
- 21 No utilice este producto cerca de equipos médicos. Las ondas de radio de este producto podrían afectar negativamente al funcionamiento de los equipos electromédicos. No utilice este producto en lugares donde el uso de ondas de radio esté restringido, p. ej., cerca de equipos médicos.
- 22 Evite daños en los cables USB y de micrófono.
 - No coloque objetos pesados sobre los cables.
 - No modifique los cables.
 - No fije los cables con grapas.
 - No aplique fuerza innecesaria a los cables.
 - No coloque cables cerca de fuentes de calor.
 Si lo hace, podría provocar un incendio, descarga eléctrica o daños en el producto.
- 23 Asegúrese de utilizar el cable USB y de micrófono suministrado con el producto. Si utiliza otros cables USB o de micrófono podría provocar un incendio, descarga eléctrica o daños en el producto.
- 24 Si no va a utilizar el producto durante un largo periodo de tiempo, desenchúfelo de todas las tomas. Si no lo hace, podría provocar un incendio o una descarga eléctrica.
- 25 Asegúrese de tener las manos secas al conectar o desconectar clavijas o cables de alimentación. Si no lo hace, podría provocar una descarga eléctrica o daños en el producto.
- 26 No instale el producto en ninguna superficie inestable o donde pudiera quedar expuesto a vibraciones, ya que podría volcarse o caerse, provocando lesiones personales o daños en el producto.
- 27 No instale el producto en ningún lugar expuesto a la luz directa del sol o a temperaturas excesivamente altas (cerca de un calefactor, etc.). Si lo hace, podría provocar daños en el producto.
- 28 No se siente ni se ponga de pie sobre el producto, ni coloque otros objetos sobre él. Si lo hace, podría provocar daños en el producto.

- 29 Baje el volumen al mínimo antes de comenzar la reproducción. Si no lo hace, podrían emitirse ruidos fuertes y provocar deficiencias auditivas.
- 30 No utilice el producto en ningún lugar donde quede expuesto a cambios rápidos en la temperatura ambiente. Cualquier cambio rápido de la temperatura ambiente podría provocar condensación en el producto, lo que a su vez podría provocar daños en él. Si se produce condensación, deje el producto apagado un tiempo hasta que se seque.
- 31 No conecte ningún cable si el producto está encendido. Si lo hace podría provocar daños en el producto y en los equipos conectados.
- 32 Descargue cualquier electricidad estática de su cuerpo o ropa antes de tocar el producto. Si no lo hace, podría provocar daños en el producto.
- 33 Tienda y conecte los cables correctamente. Si tira de los cables o quedan atrapados por la pierna de alguien, el producto o los equipos conectados podrían caerse o volcarse, provocando lesiones personales o daños en el producto.
- 34 Antes de conectar equipos externos, lea atentamente los manuales de instrucciones suministrados con el equipo y realice las conexiones de acuerdo con las instrucciones.

Este aparato no se desconecta de la fuente de alimentación de CA si está conectada a una toma de corriente, aunque la propia aparato esté apagada. A este estado se le llama modo de espera. En este estado, este aparato ha sido diseñada para que consuma un cantidad de corriente muy pequeña.

Advertencia: el uso de este equipo en un entorno residencial podría causar radiointerferencias.

Precauciones de uso

- El producto está diseñado para su uso en oficinas comunes y no para su uso en lugares que precisen de un alto grado de fiabilidad en el tratamiento de vidas humanas o bienes de gran valor.
- Tenga en cuenta que Yamaha no se hará responsable de ningún daño derivado de un uso o configuración inapropiados del producto.
- Dependiendo del entorno de uso, este producto puede provocar ruido en un teléfono, radio, televisión, etc. En tal caso, cambie el lugar de instalación o su orientación.
- Si transfiere este producto a un tercero, entréguele también este manual y los accesorios.
- En el momento de deshacerse del producto, asegúrese de seguir las indicaciones de su administración local.
- No conecte ningún equipo que genere ruidos en la misma línea de alimentación que el producto.

Información para usuarios sobre la recogida y eliminación de los equipos antiguos



Este símbolo en los productos, embalajes y documentos anexos significa que los productos eléctricos y electrónicos no deben mezclarse con los desperdicios domésticos normales.

Para el tratamiento, recuperación y reciclaje apropiados de los productos antiguos, llévelos a puntos de reciclaje correspondientes, de acuerdo con la legislación nacional.

Al deshacerse de estos productos de forma correcta, ayudará a ahorrar recursos valiosos y a impedir los posibles efectos desfavorables en la salud humana y en el entorno que de otro modo se producirían si se trataran los desperdicios de modo inapropiado.

Para obtener más información acerca de la recogida y el reciclaje de los productos antiguos, póngase en contacto con las autoridades locales, con el servicio de eliminación de basuras o con el punto de venta donde adquirió los artículos.

Para los usuarios empresariales de la Unión Europea:

Si desea desechar equipos eléctricos y electrónicos, póngase en contacto con su vendedor o proveedor para obtener más información.

Información sobre la eliminación en otros países fuera de la Unión Europea:

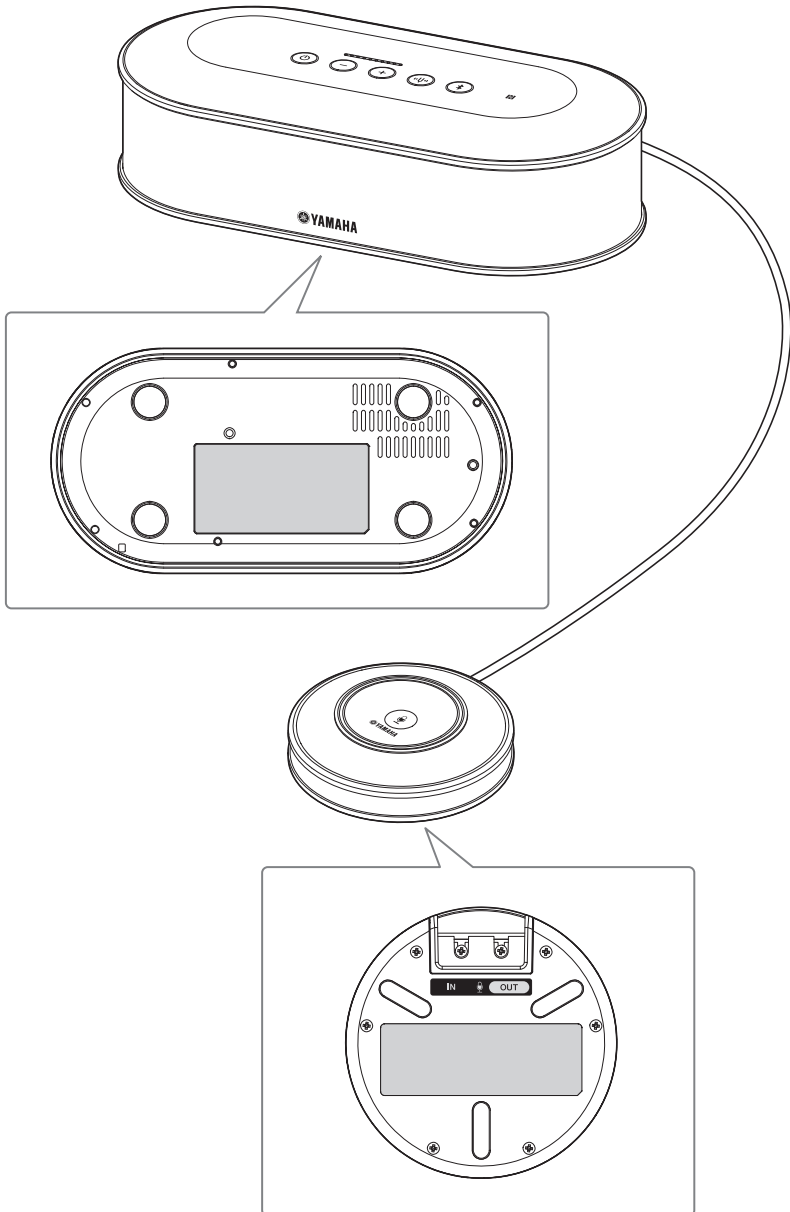
Este símbolo solo es válido en la Unión Europea. Si desea desechar estos artículos, póngase en contacto con las autoridades locales o con el vendedor y pregúnteles el método correcto.

Acerca de Bluetooth®

- Bluetooth es una tecnología para la comunicación inalámbrica que emplea la banda de frecuencia de 2,4 GHz, una banda que puede usarse sin licencia.
- La banda de 2,4 GHz usada por dispositivos compatibles con Bluetooth es una banda de radio compartida por multitud de equipos de diferente tipo. Aunque los dispositivos compatibles con Bluetooth usan una tecnología que minimiza la influencia de otros componentes en la misma banda de radio, dicha influencia puede reducir la velocidad o la distancia de comunicación y, en algunos casos, puede incluso interrumpir las comunicaciones.
- La velocidad de transferencia de las señales y la distancia a la que se puede realizar la comunicación varía en base a la distancia entre los dispositivos en comunicación, la presencia de obstáculos, las condiciones de las ondas de radio y el tipo de equipo.
- Yamaha no garantiza todas las conexiones inalámbricas entre esta unidad y dispositivos compatibles con la función Bluetooth.

Ubicación de las placas identificativas

Las placas identificativas se encuentran en la parte inferior de la Unidad de Control y del micrófono.



Introducción

Gracias por adquirir un Yamaha YVC-1000. El Yamaha YVC-1000 es un Sistema de Comunicaciones Unificadas entre Micrófono y Altavoces que sirve como terminal de audio al conectarse a un equipo de comunicaciones, como puede ser un PC o Mac, un teléfono inteligente o una tableta, o un sistema de videoconferencia.

Lea este manual en su totalidad antes de instalar y conectar el producto.

Guarde este manual en un lugar seguro para futuras consultas.

- Ninguna parte de este manual puede copiarse o utilizarse bajo ningún concepto sin el permiso de Yamaha.
- El contenido de este manual se aplica a las últimas especificaciones según la fecha de publicación. Para obtener el último manual, acceda al sitio web que se indica abajo y descargue el archivo del manual.
<https://uc.yamaha.com/resources/support/>
- Yamaha no acepta ninguna responsabilidad por cualquier pérdida o daño que resulte del uso del producto. La garantía cubre solamente una reparación del producto.

Comprobación del contenido

- 1 Unidad de Control (YVC-CTU1000)
- 1 micrófono (YVC-MIC1000)
- 1 cable de alimentación (3 m)
- 1 cable USB (5 m)
- 1 cable de micrófono (5 m)
- 1 Guía de Inicio Rápido (este manual)

Acerca de este manual

■ Acerca de las abreviaturas

En este manual, los nombres de producto se describen del siguiente modo:

- Yamaha YVC-1000: el producto
- Microsoft® Windows®: Windows
- macOS®: macOS

■ Acerca de las marcas registradas

- Microsoft y Windows son marcas registradas de Microsoft Corporation en los Estados Unidos y en otros países.
- Mac y macOS son marcas registradas de Apple Inc.
- Android™ es una marca comercial, o una marca comercial registrada, de Google Inc.
- Bluetooth® es una marca registrada de Bluetooth SIG y ha sido utilizada por Yamaha en virtud de su acuerdo de licencia.
- El logotipo NFC (N-Mark) es una marca comercial o marca registrada de NFC Forum, Inc.

Además de este manual, lea otros manuales de instrucciones

Este manual solo contiene información básica.

Para obtener información detallada sobre el uso del producto, lea los siguientes documentos:

Manual del usuario: contiene información sobre el uso del producto, incluyendo ajustes detallados y funciones de utilidad.

Descargue el manual del usuario más actualizado desde la página de descargas de nuestro sitio web.

Para configurar los ajustes del dispositivo de comunicaciones, consulte los manuales de instrucciones suministrados con el equipo.

Uso de las funciones más recientes

Para utilizar las últimas funciones, puede descargar el firmware (programa del producto) desde la página de descargas de nuestro sitio web.

■Página de descarga

<https://uc.yamaha.com/resources/support/>

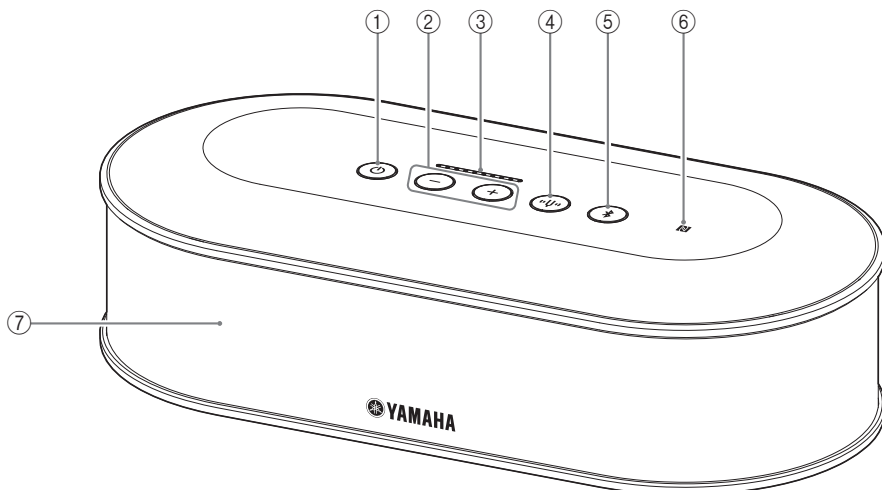
Uso de software de código abierto

Este producto utiliza software de código abierto.

Los contenidos de la licencia se incluyen en el manual del usuario.

Mandos y funciones

Unidad de Control (YVC-CTU1000)



① Botón/indicador de encendido

Púlselo para encender el producto. Manténgalo presionado durante dos segundos o más para pasar al modo de espera. Se ilumina en verde cuando el producto se enciende y se ilumina en rojo durante el modo de espera.

② Botón/indicador de volumen +/-

Púlselo para ajustar el volumen del altavoz. Mantenga presionado el botón adecuado durante 0,5 segundos o más para subir o bajar el volumen paulatinamente. Pulse los botones + y - simultáneamente durante dos segundos o más para cambiar el dispositivo de salida entre los altavoces incorporados y externos.

③ Indicador de nivel de volumen

Normalmente indica el nivel de entrada de un sonido de entrada. Cuando se ajusta el volumen del altavoz o se selecciona un altavoz de salida, indica los ajustes.

④ Botón/indicador de diapason

Se ilumina o parpadea en naranja si hay un problema. Si se muestra un problema, pulse el botón del diapason para activar la guía por voz para el problema detectado.

Si se mantiene presionado durante dos segundos o más, el producto mide automáticamente las condiciones acústicas y adapta los ajustes de audio a unas condiciones óptimas (sintonización de audio automática).

⑤ Botón/indicador de Bluetooth

Púlselo para emparejar o conectar con un teléfono inteligente o tableta compatible con Bluetooth. Si este botón se pulsa mientras está conectado a un dispositivo Bluetooth, Bluetooth se desconectará.

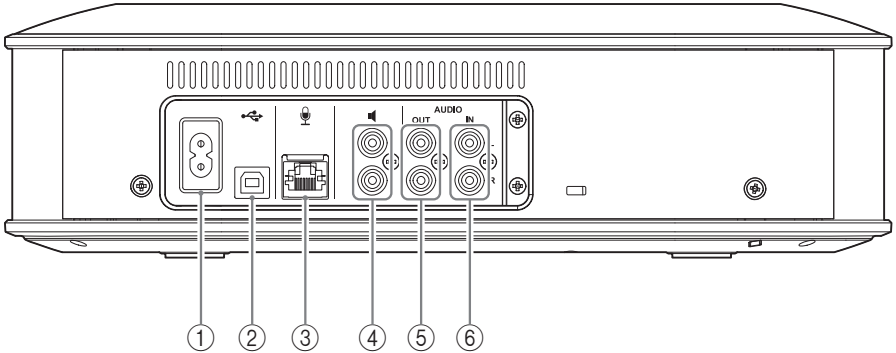
⑥ Logotipo NFC (N-Mark)

Si se coloca un teléfono inteligente o tableta compatible con Bluetooth y NFC (Near Field Communication, comunicaciones de campo próximo) encima de la N-Mark podrá emparejarlo o conectarlo con el producto, así como desconectarlo.

⑦ Altavoz integrado

Emite el sonido de entrada.

Unidad de Control (YVC-CTU1000): parte trasera



① Terminal de alimentación

Se utiliza para conectar el cable de alimentación suministrado.

② Puerto USB

Se utiliza para conectar el producto a un PC o Mac mediante el cable USB suministrado.

③ Terminal de micrófono

Se utiliza para conectar el micrófono suministrado mediante el cable de micrófono.

④ Terminales de altavoz externo

Se utilizan para conectar los altavoces con un amplificador incorporado.

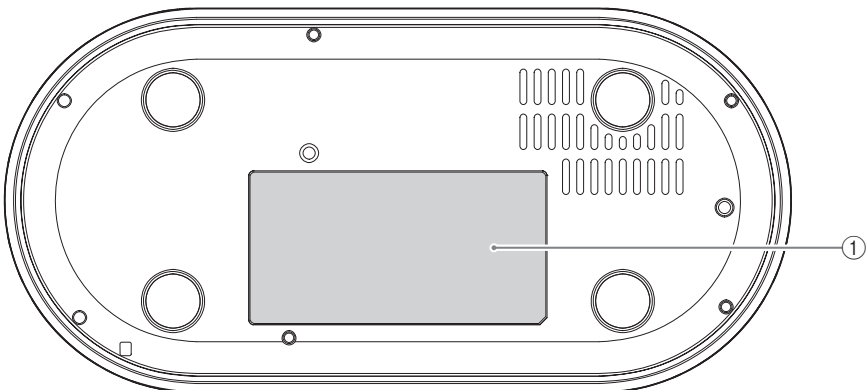
⑤ Terminales de salida de audio (AUDIO OUT)

Se utilizan para la conexión a los terminales de entrada de audio de un sistema de videoconferencia.

⑥ Terminales de entrada de audio (AUDIO IN)

Se utilizan para la conexión a los terminales de salida de audio de un sistema de videoconferencia.

Unidad de Control (YVC-CTU1000): parte inferior



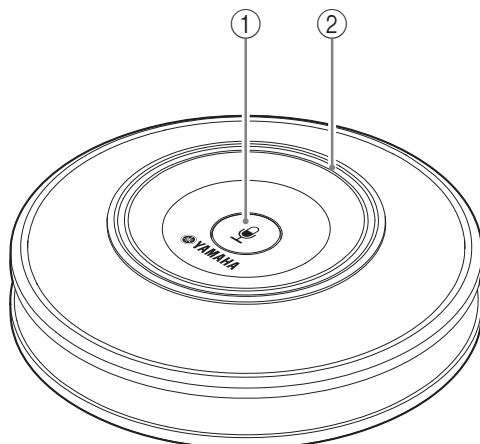
① Placa identificativa

Ofrece los siguientes datos:

Model No.: número de modelo del producto

SERIAL LABEL: número de serie del producto

Micrófono (YVC-MIC1000)



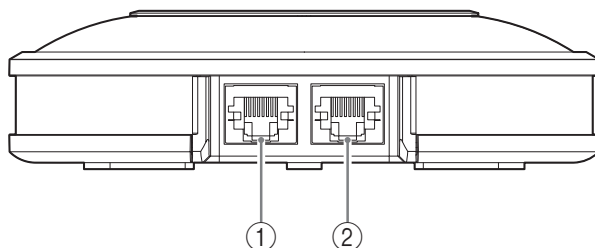
① Botón de silencio del micrófono

Púlselo para desactivar temporalmente (silenciar) el micrófono. Para cancelar la función de silencio, vuelva a pulsarlo.

② Indicador de estado del micrófono

Se ilumina en verde cuando el micrófono está activo. Parpadea en rojo cuando el micrófono está silenciado.

Micrófono (YVC-MIC1000): lateral

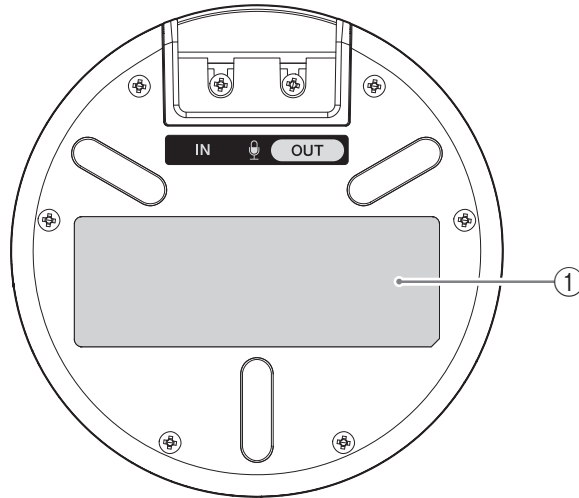


① Terminal de entrada (IN)

Conecta el micrófono opcional (YVC-MIC1000EX) mediante el cable del micrófono.

② Terminal de salida (OUT)

Conecta la Unidad de Control mediante el cable del micrófono.

Microfófono (YVC-MIC1000): parte inferior**① Placa identificativa**

Ofrece los siguientes datos:

Model No.: número de modelo del producto

SERIAL LABEL: número de serie del producto

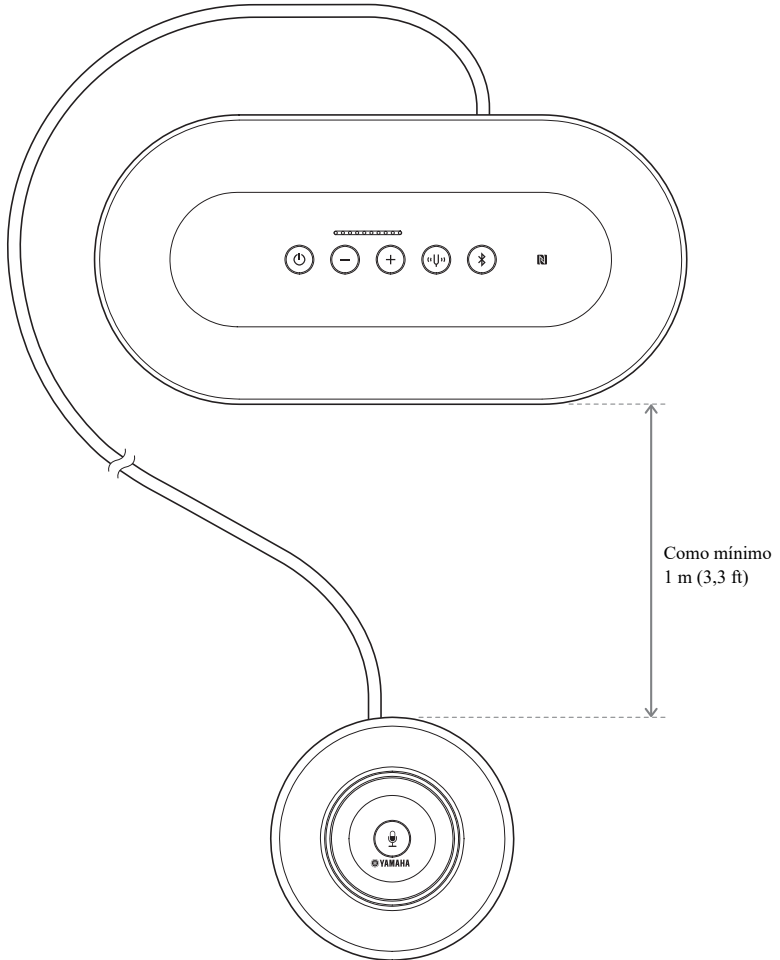
Preparación para el uso

Instalación

Instale el producto en el lugar donde vaya a utilizarse.

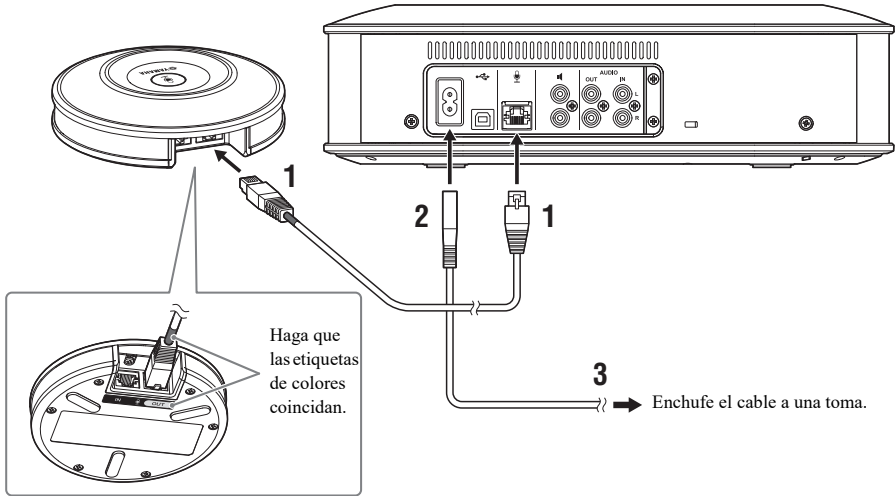
Notas sobre la instalación

- Coloque el micrófono como mínimo a 1 m (3,3 ft) de la Unidad de Control.
- Mantenga el micrófono alejado de cualquier fuente de ruido.



Conexión de los cables de alimentación y del micrófono

Conecte los cables de alimentación y del micrófono suministrados con el producto.



Notas

- Al conectar el cable del micrófono, asegúrese de que coincidan las etiquetas de colores del cable del micrófono y del terminal de salida (OUT) del micrófono.
- Asegúrese de insertar completamente el cable de alimentación en el terminal de alimentación de la Unidad de Control y en la toma.

🔧 Punta

Es posible conectar al producto un total de cinco micrófonos, incluyendo el micrófono suministrado y los micrófonos opcionales (YVC-MIC1000EX) (para más información consulte el manual del usuario).

Configuración

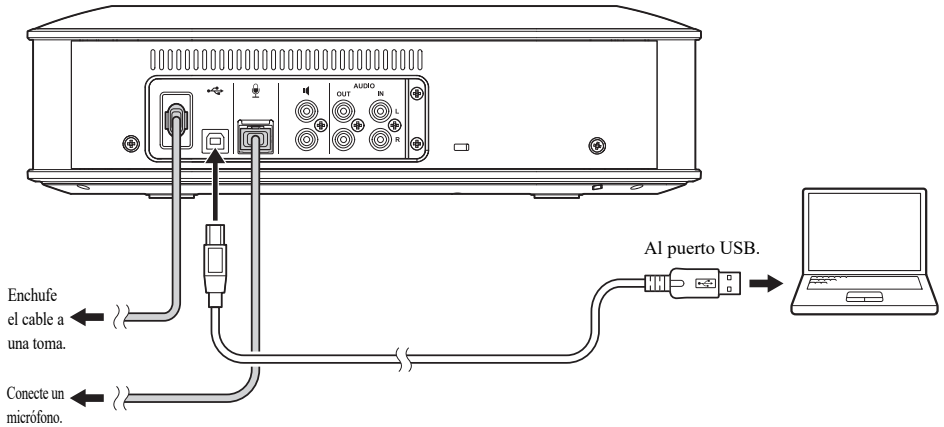
Cambio del idioma de la guía de voz

Mientras mantiene pulsado el botón del diapason (⏏), pulse repetidamente el botón del volumen + (+). El idioma cambia cada vez que se pulsa el botón del volumen + (+).

Para obtener instrucciones detalladas, consulte el manual del usuario.

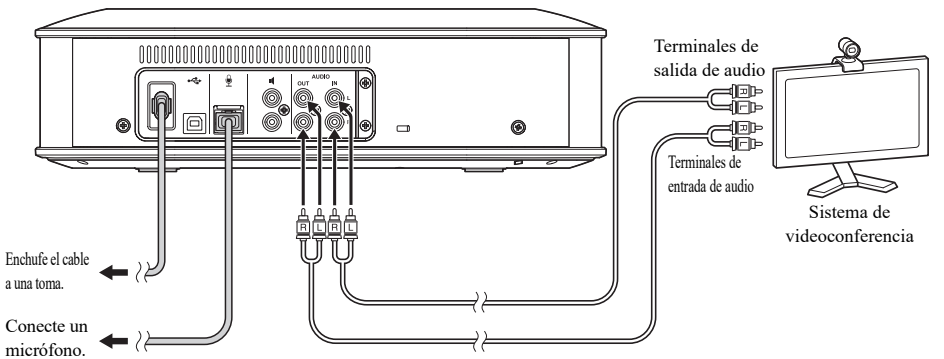
Conexión a dispositivos de comunicaciones

Conexión a un PC o Mac mediante el cable USB



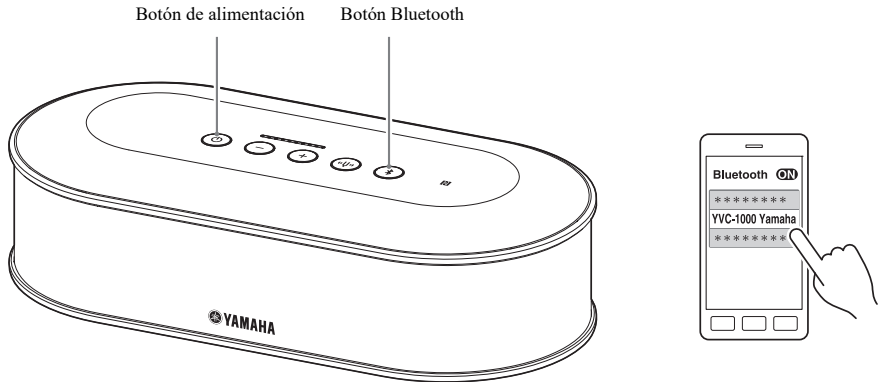
Tras conectar el producto, enciéndalo y confirme que el PC o Mac lo ha reconocido correctamente. Para obtener instrucciones detalladas, consulte el manual del usuario.

Conexión a un sistema de videoconferencia a través de cables de audio



Una vez conectado el producto, cambie los ajustes del sistema de videoconferencia de forma que el producto pueda utilizarse como micrófono y altavoz. Para obtener instrucciones detalladas, consulte el manual del usuario.

Conexión a un teléfono inteligente o tableta a través de Bluetooth



■Emparejamiento

- 1 Pulse el botón de encendido para encender el producto.
- 2 Pulse el botón Bluetooth.
 - El botón Bluetooth parpadea en azul.
- 3 Mantenga presionado el botón Bluetooth durante dos segundos o más.
 - El botón Bluetooth parpadea en azul rápidamente para indicar que es posible realizar el emparejamiento.
- 4 Realice el emparejamiento usando el teléfono inteligente o tableta.

■Conexión por Bluetooth a un teléfono inteligente o tableta ya emparejado

- 1 Pulse el botón de encendido para encender el producto.
- 2 Pulse el botón Bluetooth.
 - El botón Bluetooth parpadea en azul para indicar que el dispositivo puede conectarse por Bluetooth.
- 3 Realice la conexión por Bluetooth usando el teléfono inteligente o tableta.
 - Una vez establecida la conexión, el botón Bluetooth se ilumina en azul.

Para obtener instrucciones detalladas, consulte el manual del usuario.

Especificaciones

Generales

| | |
|------------------------------------|--|
| Interfaz: | Unidad de Control: USB 2.0 a alta velocidad, Bluetooth, NFC (Near Field Communication), Terminales de entrada de audio (patilla RCA estéreo), terminales de salida de audio (patilla RCA estéreo), 2 terminales de altavoz externo (patilla RCA), terminal de alimentación, terminal de micrófono Micrófono: terminales de entrada y salida |
| Consumo de potencia (máx.): | 20 W (un micrófono conectado), 35 W (cinco micrófonos conectados) |
| Entorno de funcionamiento: | Temperatura: 0 a 40°C (32 a 104°F) Humedad: 20 a 85% |
| Entorno de almacenamiento: | Temperatura: -20 a +50°C (-4 a +122°F) Humedad: 10 a 90% (sin condensación) |
| Dimensiones: | Unidad de Control (An x Al x Prf): 332 x 95 x 162 mm (13,1 x 3,74 x 6,38 in) Micrófono (An x Al x Prf): 136 x 36 x 136 mm (5,35 x 1,42 x 5,35 in) |
| Peso: | Unidad de Control: 1,8 kg (4,0 lbs) Micrófono: 0,4 kg (0,9 lbs) |
| Fuente de alimentación: | Modelos para EE.UU. y Canadá: AC 120 V (60 Hz) Modelo para Japón: AC 100 V (50/60 Hz) Modelo para China: AC 220 V (50 Hz) Modelo para Corea: AC 110/220 V (60 Hz) Modelos para el Reino Unido, Europa y Rusia: AC 220-240 V (50 Hz) |
| Entorno de PC/Mac: | Sistema operativo: Windows (*1), macOS (*1) USB: USB 2.0 o posterior |
| Bluetooth: | Especificación de Bluetooth versión: 2.1 + EDR Perfiles admitidos: HFP (1.6), A2DP Código admitido: SBC, mSBC, CVSD Salida inalámbrica: Clase 2 Distancia máxima de comunicación: 10 m Radiofrecuencia (frecuencia operativa): 2.402 MHz a 2.480 MHz Máxima potencia de salida (PIRE): 4,0 dBm (2,5 mW) |
| NFC: | Dispositivos compatibles: dispositivos Android compatibles con NFC Radiofrecuencia (frecuencia operativa): 13,56 MHz |
| Guía por voz: | Inglés, japonés, chino, coreano, francés, español, alemán |
| Accesorios: | Cable de alimentación (3 m), cable USB (5 m), cable del micrófono (5 m), Guía de Inicio Rápido |
| Otros: | Actualización de firmware (transferencia desde PC mediante USB) |

(*1) Para conocer las versiones admitidas, viste el siguiente sitio web:

<https://uc.yamaha.com/>

Audio

| | |
|----------------------------------|---|
| Micrófonos: | 3 unidireccionales |
| Altavoz: | 1 de gama completa |
| Procesamiento de señales: | Cancelador de eco adaptativo, reducción de ruido, seguimiento automático, control de ganancia automático, ecualizador ambiental automático, desreverberación, sintonización de audio automática |

Índice

| | | | |
|---|----------|--|-----------|
| Precauções de segurança | 2 | Configurar para utilizar | 12 |
| Precauções de utilização | 4 | Instalação | 12 |
| Sobre o Bluetooth® | 4 | Ligar o microfone e os cabos de alimentação | 13 |
| Localização das placas de identificação | 5 | Alterar as definições | 13 |
| Introdução | 6 | Alterar o idioma do comando por voz | 13 |
| Verificar o conteúdo da embalagem | 6 | Ligar a um equipamento de comunicação | 14 |
| Sobre este manual | 6 | Ligar a um PC ou Mac com um cabo USB | 14 |
| Leia também os outros manuais de instruções | 7 | Ligar a um sistema de videoconferência com cabos áudio | 14 |
| Utilizar as funções mais recentes | 7 | Ligar a um smartphone ou tablet por Bluetooth | 15 |
| Utilizar software open source | 7 | Especificações | 16 |
| Controlos e funções | 8 | Geral | 16 |
| Unidade de controlo (YVC-CTU1000) | 8 | Áudio | 17 |
| Unidade de controlo (YVC-CTU1000): parte posterior | 9 | | |
| Unidade de controlo (YVC-CTU1000): parte inferior | 9 | | |
| Microfone (YVC-MIC1000) | 10 | | |
| Microfone (YVC-MIC1000): parte lateral | 10 | | |
| Microfone (YVC-MIC1000): parte inferior | 11 | | |

Precauções de segurança

- 1 Retire imediatamente a ficha de alimentação da tomada elétrica, caso se verifique qualquer uma das situações descritas em baixo. Caso contrário, poderá ocorrer um incêndio ou poderá sofrer um choque elétrico. Solicite a reparação ou a inspeção do produto no revendedor onde o adquiriu.
 - Ocorrência de um odor ou ruído invulgar.
 - Libertação de fumo.
 - O produto está avariado.
 - O produto foi exposto a água.
- 2 Tenha cuidado para não danificar o cabo de alimentação. Caso contrário poderá provocar um incêndio, sofrer um choque elétrico ou danificar o produto.
 - Não coloque objetos pesados sobre o cabo.
 - Não efetue qualquer modificação ao cabo.
 - Não fixe o cabo com agrafos.
 - Não utilize força excessiva ao manusear o cabo.
 - Mantenha o cabo afastado de todas as fontes de calor.
- 3 Utilize apenas o cabo de alimentação fornecido com o produto. Caso contrário poderá provocar um incêndio, sofrer um choque elétrico ou danificar o produto.
- 4 Certifique-se de que a tensão da fonte de alimentação corresponde à tensão especificada. Caso contrário poderá provocar um incêndio, sofrer um choque elétrico ou danificar o produto.
- 5 Ligue a ficha de alimentação a uma tomada que esteja visível e acessível, para garantir que pode remover a ficha facilmente, caso seja necessário.
- 6 Ao inserir a ficha de alimentação na tomada, certifique-se de que a empurra ao máximo e de que esta fica segura. Se a ficha ficar com folga poderá provocar um choque elétrico. Poderá também resultar na acumulação de pó na ficha, o que poderia provocar o seu aquecimento ou um incêndio.
- 7 Verifique qual a corrente suportada pela tomada ou pela extensão e certifique-se de que o produto não a excede. Se a extensão sobreaquecer ou ficar danificada poderá provocar um incêndio.
- 8 Não toque nos terminais com os dedos ou objetos metálicos. Caso contrário poderá sofrer um choque elétrico ou danificar o produto.
- 9 Certifique-se de que o produto não cai nem sofre impactos fortes. As peças internas podem partir-se, o que pode provocar um choque elétrico, incêndio ou danificar o produto.
- 10 Se o produto ficar danificado, solicite a sua reparação ou inspeção junto de um revendedor. Se o continuar a utilizar, poderá provocar um incêndio ou sofrer um choque elétrico.
- 11 Não desmonte nem faça qualquer alteração a este produto. Caso contrário poderá provocar um incêndio, sofrer um choque elétrico ou danificar o produto.
- 12 Não impeça a dissipação do calor.
 - Não coloque um pano, napperon ou qualquer outro objeto em cima do produto.
 - Não coloque o produto em cima de um tapete, carpete, etc.
 - Não tente colocar nem force o produto a entrar num espaço pequeno onde a circulação de ar é fraca.
 - Não obstrua os orifícios de ventilação.
 Deixe pelo menos 1 cm de espaço relativamente à parte superior do produto, 1 cm relativamente aos lados esquerdo e direito e 5 cm relativamente à parte posterior para permitir a ventilação. Caso contrário, o calor poderá ficar preso dentro do produto e provocar um incêndio ou danificar o produto.
- 13 Não coloque o produto num espaço exterior ou num local em que possa ficar exposto a água. Caso contrário poderá provocar um incêndio, sofrer um choque elétrico ou danificar o produto.
- 14 Não instale o produto num local em que fique exposto a pó ou humidade, fumo ou vapor oleosos ou gases corrosivos. Caso contrário poderá provocar um incêndio, sofrer um choque elétrico ou danificar o produto.
- 15 Certifique-se de que o produto fica nivelado. Não o vire ao contrário nem coloque na vertical. Caso contrário poderá provocar um incêndio, sofrer um choque elétrico ou danificar o produto.
- 16 Evite instalar o produto num local onde objetos estranhos possam cair e entrar dentro do produto e/ou onde este possa estar exposto a gotas ou a salpicos. Não coloque os seguintes objetos em cima do produto:
 - Outros equipamentos, pois podem danificar e/ou provocar a descoloração da superfície do produto.
 - Objetos com chamas (por exemplo velas), pois estas podem provocar incêndios, danificar o produto e/ou causar ferimentos corporais.
 - Recipientes com líquido, já que estes podem cair e o utilizador poderá sofrer um choque elétrico devido ao líquido, que poderá também danificar o produto.
- 17 Não insira objetos estranhos, como objetos metálicos ou de papel, no produto. Caso contrário poderá provocar um incêndio, sofrer um choque elétrico ou danificar o produto.
- 18 Se ouvir trovoadas, evite tocar no produto. Caso contrário, poderá sofrer um choque elétrico.
- 19 Remova periodicamente toda a sujidade e pó da ficha de alimentação. Caso contrário poderá provocar um incêndio.
- 20 O produto deve ser utilizado a, pelo menos, 22 cm de distância de pessoas com um pacemaker, desfibrilhador ou um dispositivo semelhante. Caso contrário o funcionamento do dispositivo poderá ser afetado, o que poderá provocar um acidente grave.
- 21 Não utilizar este produto perto de equipamento médico. As ondas de rádio deste produto podem ter um impacto negativo no funcionamento do equipamento médico eletrónico. Não utilize este produto em locais onde existam restrições às ondas de rádio, como perto de equipamento médico.
- 22 Tenha cuidado para não danificar os cabos USB e do microfone.
 - Não coloque objetos pesados sobre os cabos.
 - Não modifique os cabos.
 - Não fixe os cabos com agrafos.
 - Não utilize força excessiva ao manusear os cabos.
 - Não coloque os cabos perto de fontes de calor.
 Caso contrário poderá provocar um incêndio, sofrer um choque elétrico ou danificar o produto.
- 23 Utilize apenas os cabos USB e de microfone fornecidos com o produto. Utilizar outros cabos USB ou de microfone poderá provocar incêndios, choque elétrico ou danificar o produto.
- 24 Se não for utilizar este produto durante muito tempo, não se esqueça de desligar todas as fichas de alimentação. Caso contrário, poderá ocorrer um incêndio ou poderá sofrer um choque elétrico.
- 25 Certifique-se de que as suas mãos estão secas quando ligar ou desligar a ficha de alimentação ou os cabos. Caso contrário poderá sofrer um choque elétrico ou danificar o produto.
- 26 Não instale o produto num local instável ou onde possa ficar exposto a vibrações, já que isso o poderia fazer cair ou virar-se, o que poderia provocar ferimentos ou danificar o produto.
- 27 Não instale o produto num local onde possa ficar exposto à luz direta do sol ou a temperaturas extremamente elevadas (perto de um aquecedor, etc.). Caso contrário poderá danificar o produto.
- 28 Não se sente/coloque de pé em cima do produto nem coloque outros objetos sobre o mesmo. Caso contrário poderá danificar o produto.

- 29 Baixe o volume ao mínimo antes de iniciar a reprodução.
Caso contrário poderão ser emitidos sons altos que poderão provocar problemas de audição.
- 30 Não utilize o produto em locais onde este fique exposto a alterações rápidas na temperatura ambiente. Uma alteração rápida na temperatura ambiente poderia resultar na formação de condensação no produto, o que poderia danificá-lo. Em caso de condensação, mantenha o produto desligado durante algum tempo até que este seque.
- 31 Não ligue nenhum cabo ao produto enquanto este estiver ligado.
Caso contrário poderá danificar o produto e os equipamentos que forem ligados.
- 32 Elimine toda a eletricidade estática do corpo e da roupa, antes de tocar no produto. Caso contrário poderá danificar o produto.
- 33 Ligue e organize os cabos de modo que não sejam um obstáculo. Se os cabos forem puxados ou ficarem presos nas pernas de uma pessoa, o produto e os equipamentos ligados poderão ser puxados ou cair, o que poderá provocar ferimentos ou danificar o produto.
- 34 Antes de ligar equipamentos externos, leia cuidadosamente os manuais de instruções fornecidos com o equipamento e faça as ligações segundo as instruções.

Enquanto estiver ligada à tomada elétrica CA, esta unidade continua a receber energia elétrica, mesmo que esteja desligada. Este estado é designado por modo de espera. Esta unidade foi concebida para consumir muito pouca energia neste estado.

Advertência: A operação deste equipamento em um ambiente residencial pode causar interferências de radioelétricas.

Precauções de utilização

- Este produto foi concebido para ser utilizado em espaços normais, não estando apto a ser utilizado em atividades que exijam um elevado grau de fiabilidade, como a gestão de vidas humanas ou bens de elevado valor.
- Note que a Yamaha não assume qualquer responsabilidade pelos danos provocados pela utilização ou configuração incorretas do produto.
- Consoante o ambiente de utilização, este produto pode gerar ruído em telefones, rádios, televisões, etc. Se isso ocorrer, instale o produto noutra local ou altere a sua orientação.
- Se entregar este produto a terceiros, entregue também este manual e os acessórios fornecidos.
- Siga as instruções do governo local para a eliminação deste produto.
- Não ligue nenhum equipamento que crie ruído à mesma linha elétrica do produto.

Informações para os utilizadores relativas à recolha e eliminação de equipamentos usados



Este símbolo, presente em produtos, embalagens e/ou incluído na documentação associada, indica que os produtos elétricos e eletrónicos usados não devem ser eliminados juntamente com os resíduos domésticos em geral. O procedimento correto consiste no tratamento, recuperação e reciclagem de produtos usados, pelo que deve proceder à respetiva entrega nos pontos de recolha adequados, em conformidade com a legislação nacional em vigor.

A eliminação destes produtos de forma adequada permite poupar recursos valiosos e evitar potenciais efeitos prejudiciais para a saúde pública e para o ambiente, associados ao processamento incorreto dos resíduos.

Para mais informações relativas à recolha e reciclagem de produtos usados, contacte as autoridades locais, o serviço de eliminação de resíduos ou o ponto de venda onde foram adquiridos os itens relevantes.

Informações para utilizadores empresariais na União Europeia:

Para proceder à eliminação de equipamento elétrico e eletrónico, contacte o seu revendedor ou fornecedor para obter informações adicionais.

Informações relativas à eliminação em países não pertencentes à União Europeia:

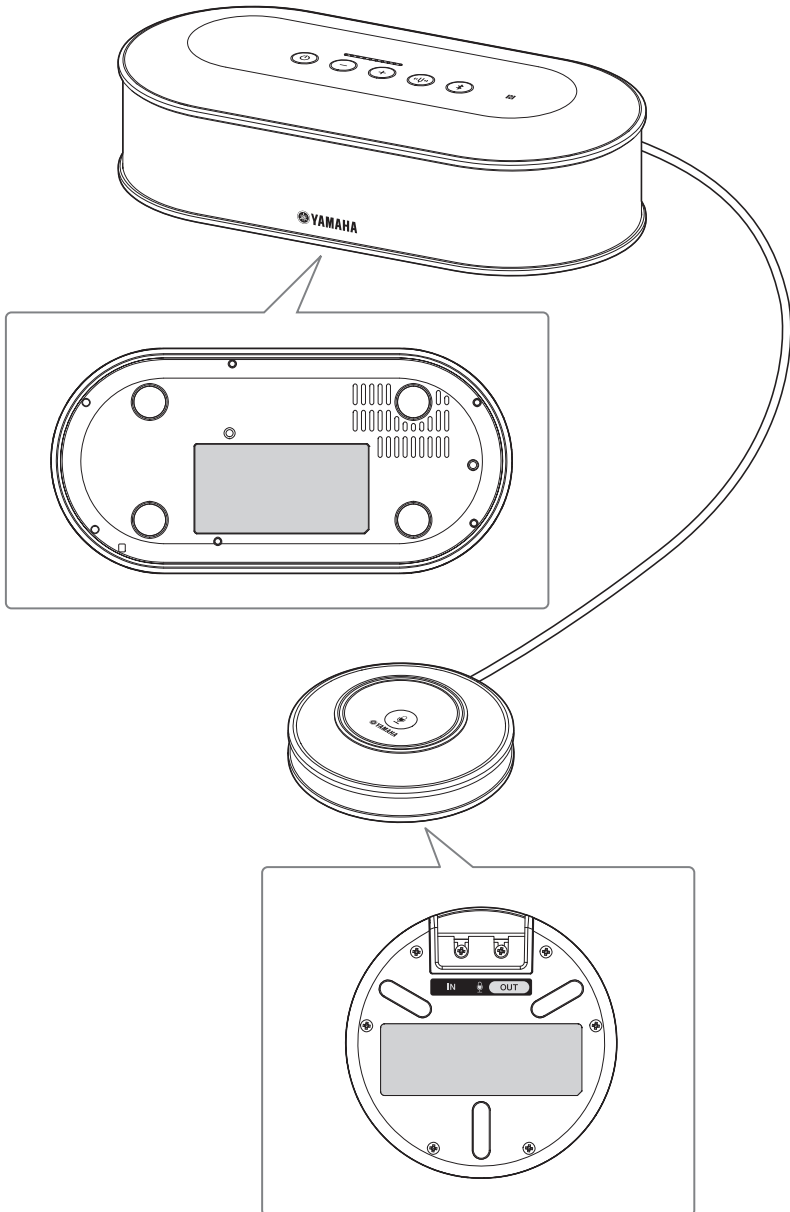
Este símbolo é válido exclusivamente na União Europeia. Caso pretenda eliminar este tipo de itens, contacte as autoridades locais ou o seu revendedor e informe-se acerca do procedimento correto para proceder à respetiva eliminação.

Sobre o Bluetooth®

- O Bluetooth é uma tecnologia que utiliza comunicação sem fios na banda de frequência de 2,4 GHz, uma banda que pode ser utilizada sem licença.
- A banda de 2,4 GHz utilizada pelos dispositivos compatíveis com Bluetooth é uma banda de rádio partilhada por muitos tipos de equipamento. Embora os dispositivos compatíveis com Bluetooth possuam tecnologia para minimizar a influência de outros equipamentos que utilizem a mesma banda rádio, essa influência pode ainda assim reduzir a velocidade e a distância das comunicações e, nalguns casos, pode até mesmo interrompê-las.
- A velocidade de transferência do sinal e a distância na qual a comunicação é possível variam consoante a distância entre os dispositivos de comunicação, a presença de obstáculos, o estado das ondas de rádio e o tipo de equipamento.
- A Yamaha não garante que todas as ligações sem fios entre este produto e os dispositivos compatíveis com Bluetooth funcionem.

Localização das placas de identificação

As placas de identificação estão localizadas na parte inferior da unidade de controlo e no microfone.



Introdução

Obrigado por ter adquirido o Yamaha YVC-1000. O YVC-1000 é um sistema de comunicações unificadas entre microfone e altifalante que funciona como um terminal áudio, quando ligado a equipamento de comunicação, como um PC ou Mac, um smartphone, tablet ou sistema de videoconferência.

Leia este manual cuidadosamente antes de instalar e ligar o produto.

Mantenha este manual num local seguro para referência futura.

- É proibido copiar ou utilizar qualquer parte deste manual sem permissão da Yamaha.
- O conteúdo deste manual se aplica às especificações mais recentes a partir da data de publicação. Para obter o manual mais recente, acesse o site abaixo e faça o download do arquivo do manual.
<https://uc.yamaha.com/resources/support/>
- A Yamaha não é responsável por quaisquer perdas ou corrupção de dados resultantes da utilização do produto. Note que a garantia só abrange a reparação do produto.

Verificar o conteúdo da embalagem

- Unidade de controlo (YVC-CTU1000) x 1
- Microfone (YVC-MIC1000) x 1
- Cabo de alimentação (3 m) x 1
- Cabo USB (5 m) x 1
- Cabo de microfone (5 m) x 1
- Guia de início rápido (este manual) x 1

Sobre este manual

■ Sobre as abreviaturas

Neste manual, os nomes dos produtos são abreviados da seguinte forma.

- Yamaha YVC-1000: o produto
- Microsoft® Windows®: Windows
- macOS®: macOS

■ Sobre as marcas comerciais

- Microsoft e Windows são marcas comerciais registadas da Microsoft Corporation nos Estados Unidos e noutros países.
- Mac e macOS são marcas comerciais registadas da Apple Inc.
- Android™ é uma marca comercial ou uma marca comercial registada da Google Inc.
- Bluetooth® é uma marca comercial registada da Bluetooth SIG e é utilizada pela Yamaha em conformidade com um acordo de licença.
- O logótipo NFC (N-Mark) é uma marca comercial ou uma marca comercial registada do NFC Forum, Inc.

Leia também os outros manuais de instruções

Este manual contém apenas as informações mais importantes.

Para mais informações sobre como utilizar o produto, leia o seguinte:

O manual do utilizador: contém informações sobre a utilização do produto, incluindo definições detalhadas e funções úteis.
Transfira o manual do utilizador mais recente a partir da página de transferências do nosso website.

Para configurar as definições do equipamento de comunicação, consulte os manuais de instruções fornecidos com o equipamento.

Utilizar as funções mais recentes

Pode transferir o firmware (programa do produto) da página de transferências do nosso website para poder utilizar as funções mais recentes.

■Página de transferências

<https://uc.yamaha.com/resources/support/>

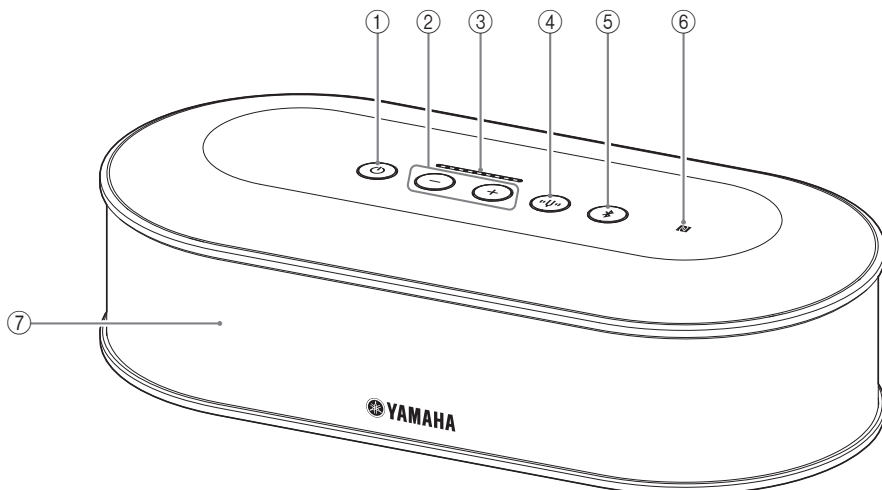
Utilizar software open source

Este produto utiliza software open source.

A licença deste software está no manual do utilizador.

Controlos e funções

Unidade de controlo (YVC-CTU1000)



① Botão/indicador de alimentação

Prima para ligar o produto. Mantenha o botão de alimentação premido durante dois ou mais segundos para entrar no modo de espera. Acende-se a verde quando o produto está ligado e a vermelho no modo de espera.

② Botão/indicador de volume +/-

Prima para ajustar o volume do altifalante. Mantenha um dos botões premido durante mais de 0,5 segundos, conforme pretenda aumentar ou diminuir o volume. Prima ambos os botões +/- simultaneamente durante dois ou mais segundos para alternar entre o altifalante incorporado e os altifalantes externos.

③ Indicador do nível de volume

Normalmente indica o nível de entrada da entrada de voz. Indica as definições quando se ajusta o volume do altifalante ou quando se seleciona um altifalante externo.

④ Botão/indicador de diapásão

Acende-se ou pisca a cor de laranja se houver um problema. Se estiver a indicar um problema, prima o botão do diapásão para ativar as instruções por voz sobre o problema detetado.

Quando é premido durante dois segundos ou mais, o produto mede automaticamente as condições acústicas e otimiza as definições de áudio (afinação automática do som).

⑤ Botão/indicador Bluetooth

Prima para emparelhar ou ligar a um smartphone ou tablet compatível com Bluetooth. Se este botão for premido enquanto o produto está ligado a um dispositivo Bluetooth, a ligação é terminada.

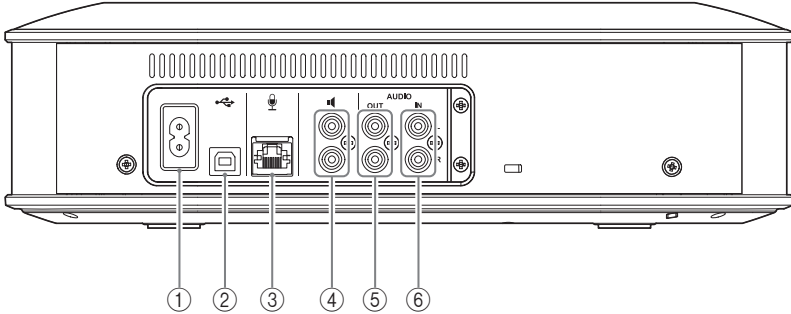
⑥ Logótipo NFC (N-Mark)

Colocar um smartphone ou tablet compatível com Bluetooth e equipado com NFC (comunicação de campo próximo) sobre o N-Mark permite-lhe emparelhar, ligar ou desligar o produto.

⑦ Altitfalante incorporado

Reproduz a entrada de voz.

Unidade de controlo (YVC-CTU1000): parte posterior



① Terminal de alimentação

Para ligar o cabo de alimentação fornecido.

② Porta USB

Para ligar o produto a um PC ou Mac com o cabo USB fornecido.

③ Terminal do microfone

Para ligar o microfone fornecido com o cabo de microfone.

④ Terminais dos altifalantes externos

Para ligar altifalantes com amplificador incorporado.

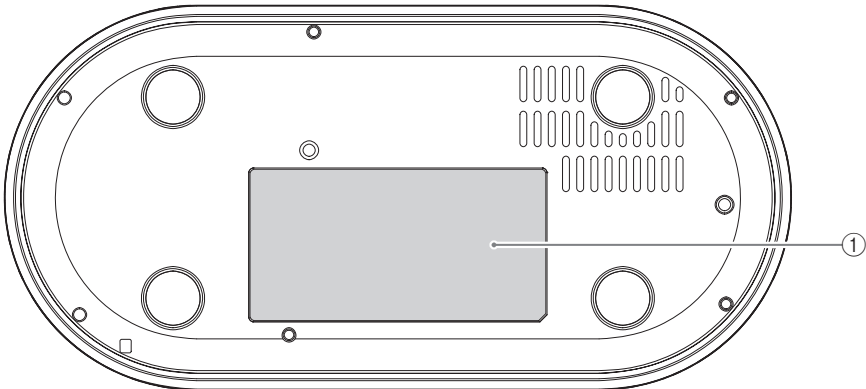
⑤ Terminais de saída de áudio (AUDIO OUT)

Para ligar os terminais de entrada de áudio de um sistema de videoconferência.

⑥ Terminais de entrada de áudio (AUDIO IN)

Para ligar os terminais de saída de áudio de um sistema de videoconferência.

Unidade de controlo (YVC-CTU1000): parte inferior



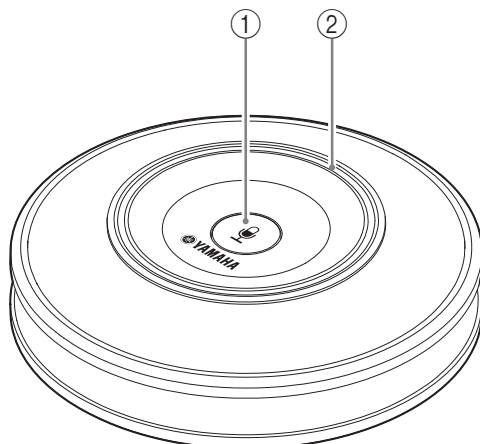
① Placa de identificação

Contém as seguintes informações.

Model No.: número de modelo do produto

SERIAL LABEL: número de série do produto

Microfone (YVC-MIC1000)



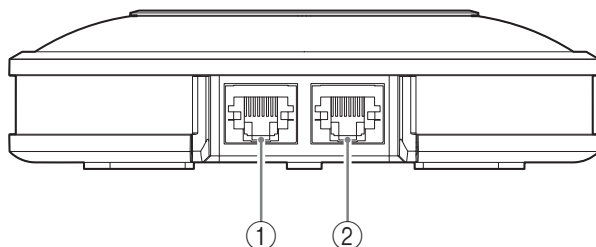
① Botão para silenciar o microfone

Prima para desligar (silenciar) o microfone temporariamente. Para cancelar a função silenciar, prima-o novamente.

② Indicador de estado do microfone

Acende-se a verde quando o microfone está ativo. Pisca a vermelho quando o microfone está no modo de silêncio.

Microfone (YVC-MIC1000): parte lateral

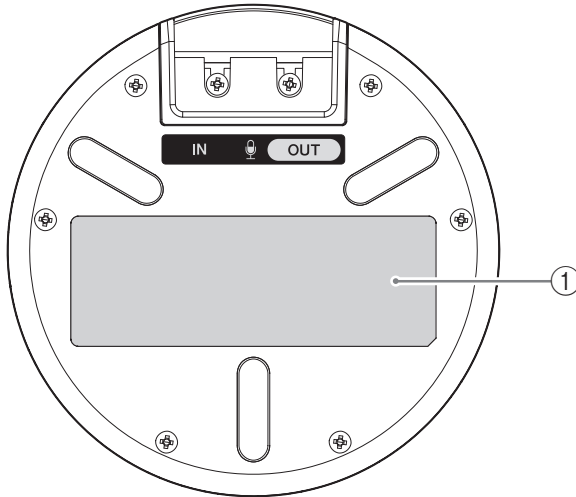


① Terminal de entrada (IN)

Para ligar o microfone adicional (YVC-MIC1000EX) com o cabo de microfone.

② Terminal de saída (OUT)

Para ligar a unidade de controlo com o cabo de microfone.

Microfone (YVC-MIC1000): parte inferior**① Placa de identificação**

Contém as seguintes informações.

Model No.: número de modelo do produto

SERIAL LABEL: número de série do produto

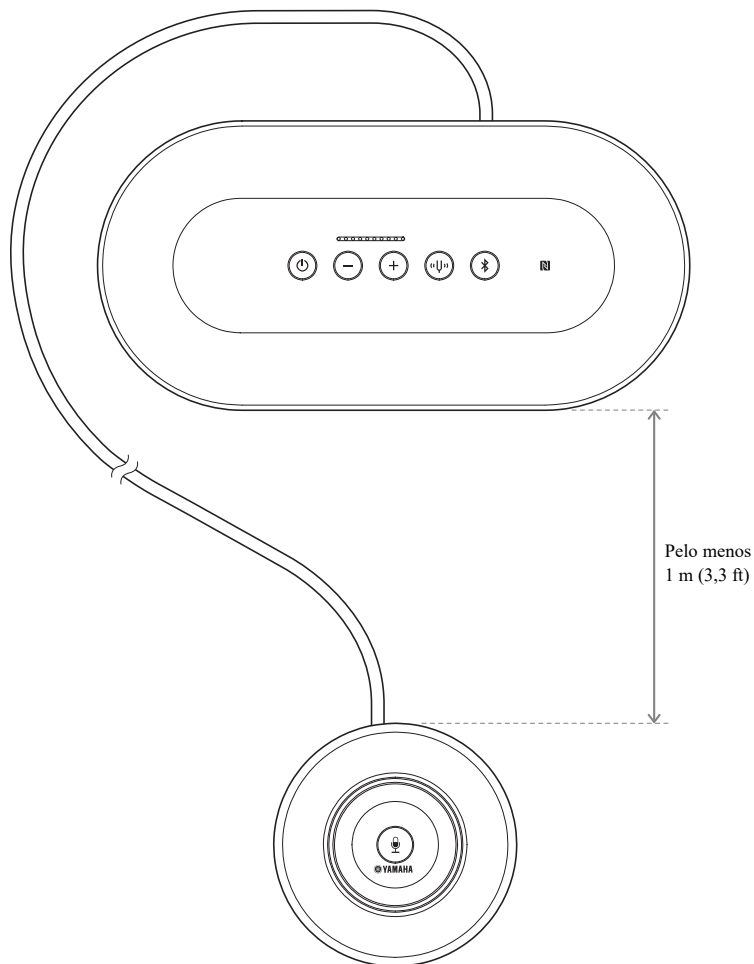
Configurar para utilizar

Instalação

Instale o produto no local onde vai ser utilizado.

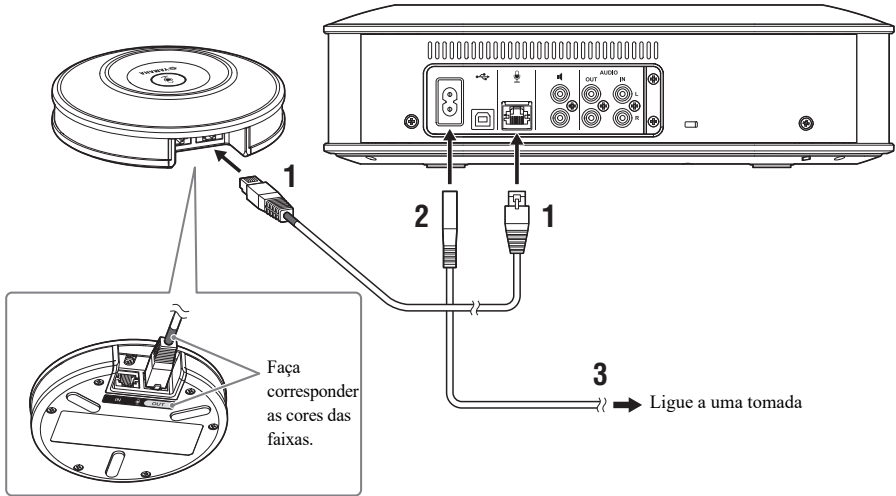
Notas sobre a instalação

- Coloque o microfone a, pelo menos, 1 m (3,3 ft) da unidade de controlo.
- Mantenha o microfone afastado das fontes de ruído.



Ligar o microfone e os cabos de alimentação

Ligue o microfone e os cabos de alimentação fornecidos com o produto.



Notas

- Quando ligar o cabo do microfone, faça corresponder as faixas de cor do cabo com as faixas de cor no terminal de saída (OUT) do microfone.
- Insira completamente o cabo de alimentação no terminal de alimentação da unidade de controlo e na tomada.

Sugestão

Podem ligar até cinco microfones a este produto, incluindo o microfone fornecido e microfones adicionais (YVC-MIC1000EX). (Para mais informações, consulte o manual do utilizador.)

Alterar as definições

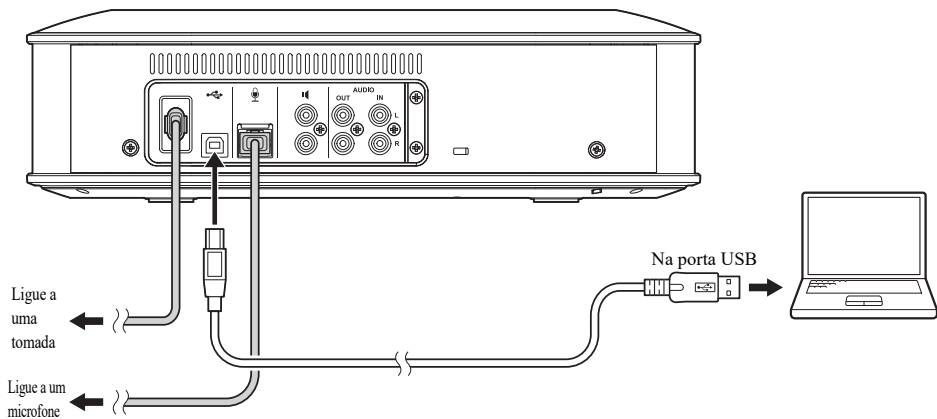
Alterar o idioma do comando por voz

Premindo o botão de diapasão (⌨), prima o botão de volume + (+) repetidamente. O idioma altera cada vez que premir o botão de volume + (+).

Para instruções mais detalhadas, consulte o manual do utilizador.

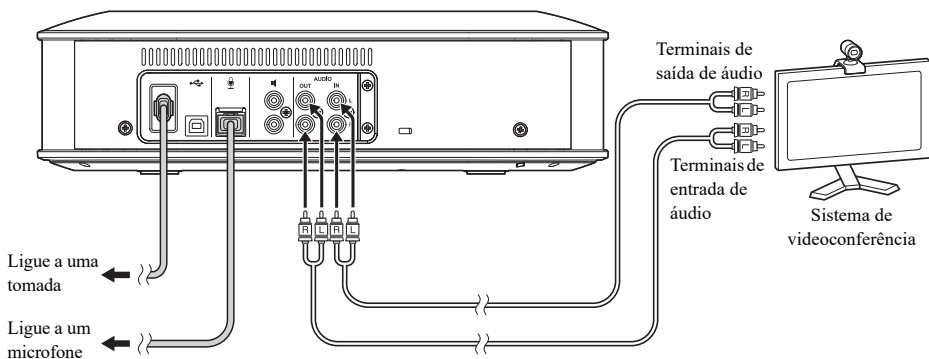
Ligar a um equipamento de comunicação

Ligar a um PC ou Mac com um cabo USB



Depois de ligar os cabos, ligue o produto e confirme que este é corretamente reconhecido pelo PC ou Mac. Para instruções mais detalhadas, consulte o manual do utilizador.

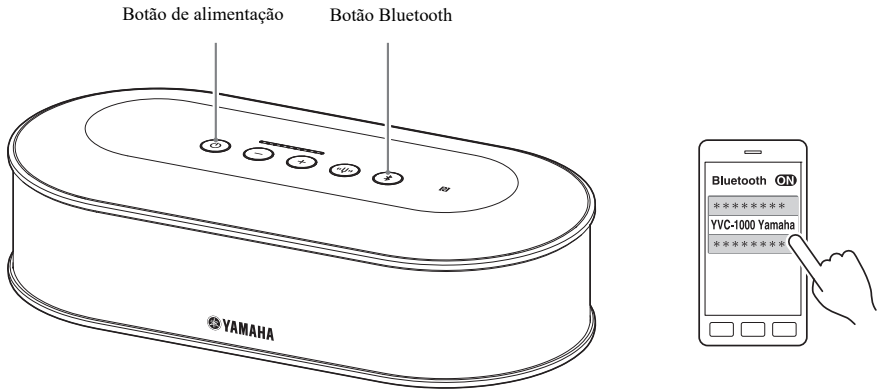
Ligar a um sistema de videoconferência com cabos áudio



Depois de ligar os cabos, altere as definições do sistema de videoconferência para que este utilize o produto como microfone e altifalante.

Para instruções mais detalhadas, consulte o manual do utilizador.

Ligar a um smartphone ou tablet por Bluetooth



■Emparelhar

- 1 Prima o botão de alimentação para ligar o produto.
- 2 Prima o botão Bluetooth.
O botão Bluetooth pisca a azul.
- 3 Mantenha o botão Bluetooth premido durante dois ou mais segundos.
O botão Bluetooth pisca rapidamente a azul para indicar que o emparelhamento pode ser realizado.
- 4 Realize o procedimento de emparelhamento com o smartphone ou tablet.

■Ligar a um smartphone ou tablet emparelhado por Bluetooth

- 1 Prima o botão de alimentação para ligar o produto.
- 2 Prima o botão Bluetooth.
O botão Bluetooth pisca a azul para indicar que o produto pode ser ligado por Bluetooth.
- 3 Realize o procedimento de ligação por Bluetooth com o smartphone ou tablet.
Quando a ligação estiver estabelecida, o botão Bluetooth ficará aceso a azul.

Para instruções mais detalhadas, consulte o manual do utilizador.

Especificações

Geral

| | |
|-----------------------------------|--|
| Interface: | Unidade de controlo: USB 2.0 de alta velocidade, Bluetooth, NFC (comunicação de campo próximo), Terminais de entrada de áudio (ficha RCA estéreo), terminais de saída de áudio (ficha RCA estéreo), terminal do altifalante externo (ficha RCA) x 2, terminal de alimentação, terminal do microfone Microfone: terminais de entrada e de saída |
| Consumo de energia (máx.): | 20 W (um microfone ligado), 35 W (cinco microfones ligados) |
| Ambiente de funcionamento: | Temperatura: 0 °C a 40 °C (32 °F a 104 °F) Humidade: 20% a 85% (sem condensação) |
| Ambiente de armazenamento: | Temperatura: -20 °C a 50 °C (-4 °F a 122 °F) Humidade: 10% a 90% (sem condensação) |
| Dimensões: | Unidade de controlo (L x A x P): 332 x 95 x 162 mm (13,1 x 3,74 x 6,38 pol) Microfone (L x A x P): 136 x 36 x 136 mm (5,35 x 1,42 x 5,35 pol) |
| Peso: | Unidade de controlo: 1,8 kg (4,0 lb) Microfone: 0,4 kg (0,9 lb) |
| Fonte de alimentação: | Modelos dos EUA e Canadá: AC 120 V (60 Hz) Modelo do Japão: AC 100 V (50/60Hz) Modelo da China: AC 220 V (50 Hz) Modelo da Coreia: AC 110/220 V (60 Hz) Modelos do RU, Europa e Rússia: AC 220-240 V (50 Hz) |
| Ambiente de PC/Mac: | SO: Windows (*1), macOS (*1) USB: USB 2.0 ou superior |
| Bluetooth: | Versão da especificação Bluetooth: 2.1 + EDR Perfis suportados: HFP (1.6), A2DP Codec suportado: SBC, mSBC, CVSD Saída sem fios: classe 2 Distância de comunicação máxima: 10 m Frequência de rádio (Frequência operacional): 2.402 MHz a 2.480 MHz Potência de saída máxima (EIRP): 4,0 dBm (2,5 mW) |
| NFC: | Dispositivos compatíveis: dispositivos Android compatíveis com NFC Frequência de rádio (Frequência operacional): 13,56 MHz |
| Comandos por voz: | Inglês, japonês, chinês, coreano, francês, espanhol, alemão |
| Acessórios: | Cabo de alimentação (3 m), cabo USB (5 m), cabo de microfone (5 m), guia de início rápido |
| Outros: | Atualização de firmware (transferir do PC por USB) |

(*1) Para obter as versões suportadas, consulte o website seguinte:

<https://uc.yamaha.com/>

Áudio

| | |
|--------------------------------|---|
| Microfones: | Unidirecional x 3 |
| Altifalante: | Gama completa x 1 |
| Processamento de sinal: | Cancelador de eco adaptativo, redução de ruído, criação automática de faixa, controlo automático de ganho, equalização automática para a sala, eliminação de reverberação, afinação automática do som |

Содержание

| | | | |
|---|----------|--|-----------|
| Меры безопасности | 2 | Предэксплуатационная подготовка | 12 |
| Меры предосторожности при эксплуатации устройства | 4 | Установка | 12 |
| О функции Bluetooth® | 4 | Подключение микрофонного кабеля и кабеля электропитания | 13 |
| Места расположения табличек с техническими данными | 5 | Изменение настроек | 13 |
| Введение | 6 | Изменение языка голосовых подсказок | 13 |
| Проверьте содержимое комплекта поставки | 6 | Подключение к оборудованию связи | 14 |
| О данном руководстве | 6 | Подключение к PC или Mac с помощью USB-кабеля | 14 |
| Пожалуйста, помимо данного руководства, прочтите все другие руководства по эксплуатации | 7 | Подключение к системе видеоконференцсвязи с помощью аудиокабелей | 14 |
| Использование новейших функциональных возможностей | 7 | Подключение к смартфону или планшету через Bluetooth | 15 |
| Использование программного обеспечения с открытым исходным кодом | 7 | Техническая спецификация | 16 |
| Элементы управления и функции | 8 | Общие характеристики | 16 |
| Устройство управления (YVC-CTU1000) | 8 | Аудио | 17 |
| Устройство управления (YVC-CTU1000): Тыльная сторона | 9 | | |
| Устройство управления (YVC-CTU1000): Нижняя сторона | 9 | | |
| Микрофон (YVC-MIC1000) | 10 | | |
| Микрофон (YVC-MIC1000): Боковая сторона ... | 10 | | |
| Микрофон (YVC-MIC1000): Нижняя сторона ... | 11 | | |

Меры безопасности

- 1 Пожалуйста, обязательно немедленно выньте вилку кабеля электропитания из розетки в любом из нижеисследующих случаях.
Несоблюдение этого требования может привести к возгоранию или поражению электрическим током.
Пожалуйста, обязательно обратитесь к продавцу, чтобы произвести необходимый ремонт или проверку устройства.
 - Возникновение любого необычного запаха или шума
 - Появление дыма
 - Устройство вышло из строя
 - Устройство подверглось воздействию воды
- 2 Не повреждайте кабель электропитания. Несоблюдение этого требования может привести к возгоранию, поражению электрическим током или повреждению устройства.
 - Не размещайте тяжелые предметы поверх кабеля.
 - Ником образом не перекладывайте кабель.
 - Не используйте скобы для закрепления кабеля.
 - Не прикладывайте излишнюю силу при обращении с кабелем.
 - Держите кабель на расстоянии от источников тепла.
- 3 Используйте только прилагаемый кабель электропитания. Несоблюдение этого требования может привести к возгоранию, поражению электрическим током или повреждению устройства.
- 4 Используйте только указанное напряжение питания. Несоблюдение этого требования может привести к возгоранию, поражению электрическим током или повреждению устройства.
- 5 Подключите кабель электропитания к розетке, которая Вам хорошо видна и доступна с тем, чтобы в случае необходимости можно было легко и просто вынуть из нее вилку кабеля электропитания.
- 6 Плотно и надежно вставьте вилку кабеля электропитания в розетку. В противном случае это может привести к поражению электрическим током. Это также может привести к скоплению пыли на вилке, а затем к ее нагреванию и воспламенению.
- 7 Проверьте предельно допустимую токовую нагрузку розетки или удлинителя и убедитесь в том, что использование устройства не приведет к превышению этой нагрузки. Перегрев или износ удлинителя могут привести к его возгоранию.
- 8 Не прикасайтесь к контактам пальцами или металлическими предметами.
Несоблюдение этого требования может привести к поражению электрическим током или повреждению устройства.
- 9 Не допускайте падений или сильных нагрузок на устройство. Повреждение его внутренних деталей может привести к поражению электрическим током, возгоранию или поломке устройства.
- 10 Если устройство было повреждено, обязательно обратитесь к продавцу, чтобы произвести необходимый ремонт или проверку устройства.
Дальнейшая эксплуатация такого устройства может привести к возгоранию или поражению электрическим током.
- 11 Не разбирайте и никоим образом не модифицируйте данное устройство.
Несоблюдение этого требования может привести к возгоранию, поражению электрическим током или повреждению устройства.
- 12 Не перекрывайте систему охлаждения устройства.
 - Не накрывайте устройство тканью, скатертью и т. п.
 - Не кладите устройство на коврик, ковер и т. п.
 - Не зажимайте и не помещайте устройство в узкое пространство с плохой циркуляцией воздуха.
 - Не закрывайте вентиляционные отверстия.Оставляйте вентиляруемое пространство не менее 1 сантиметров сверху, 1 сантиметров слева и справа, а также 5 сантиметров с задней стороны устройства.
Несоблюдение этих требований может вызвать аккумуляирование выделяемого в процессе работы тепла внутри устройства и привести к его возгоранию или повреждению.
- 13 Не устанавливайте устройство на открытом воздухе или в местах, где на него может попасть вода.
Несоблюдение этого требования может привести к возгоранию, поражению электрическим током или повреждению устройства.
- 14 Не устанавливайте устройство там, где оно будет подвержено воздействию пыли или влажности, копоти или пара, а также коррозионного газа. Несоблюдение этого требования может привести к возгоранию, поражению электрическим током или повреждению устройства.
- 15 Устанавливайте устройство в горизонтальном положении. Не ставьте его вверх дном или вертикально. Несоблюдение этого требования может привести к возгоранию, поражению электрическим током или повреждению устройства.
- 16 Не устанавливайте устройство там, где на него сверху может упасть посторонний предмет и/или на него могут попасть капли или брызги каких-либо жидкостей. Не помещайте сверху на устройство следующие предметы:
 - Другие элементы системы во избежание повреждения и/или изменения цвета поверхности устройства.
 - Горящие предметы (например, свечи) во избежание возгорания, повреждения устройства и/или травмы.
 - Контейнеры с жидкостью во избежание их опрокидывания и разливания этих жидкостей, что может привести к поражению электрическим током пользователя и/или повреждению устройства.
- 17 Не вставляйте металлические, бумажные и прочие посторонние предметы в устройство.
Несоблюдение этого требования может привести к возгоранию, поражению электрическим током или повреждению устройства.
- 18 Не прикасайтесь к устройству во время грозы.
Несоблюдение этого требования может привести к поражению электрическим током.
- 19 Периодически удаляйте грязь и пыль с вилки кабеля электропитания. Несоблюдение этого правила может привести к возгоранию.
- 20 Устройство должно использоваться на расстоянии по меньшей мере 22-х сантиметров от лиц, пользующихся кардиостимуляторами, дефибрилляторами или другими аналогичными устройствами.
Несоблюдение этого правила может повлиять на работу кардиостимулятора и привести к несчастному случаю с тяжелыми последствиями.
- 21 Не используйте устройство рядом с медицинским оборудованием. Испускаемые устройством радиоволны могут отрицательно повлиять на работу электро-медицинского оборудования. Не используйте устройство в местах ограничения использования радиоволн (например, рядом с медицинским оборудованием).

- 22 Не допускайте повреждения USB- и микрофонных кабелей.
- Не ставьте сверху на кабели тяжелые предметы.
 - Не модифицируйте кабели.
 - Не закрепляйте кабели с помощью скоб.
 - Не прикладывайте излишнюю силу при обращении с кабелем.
 - Не располагайте кабели вблизи источников тепла.
- Несоблюдение этих требований может привести к возгоранию, поражению электрическим током или повреждению устройства.
- 23 Обязательно используйте USB- и микрофонные кабели, прилагаемые в комплекте к устройству. Использование иных USB- и микрофонных кабелей может привести к возгоранию, поражению электрическим током или повреждению устройства.
- 24 Обязательно отключите все кабели электропитания, если устройство не используется в течение длительного периода времени.
- Несоблюдение этого требования может привести к возгоранию или поражению электрическим током.
- 25 Осуществляйте подключение или отключение кабеля электропитания или других кабелей сухими руками. Несоблюдение этого требования может привести к поражению электрическим током или повреждению устройства.
- 26 Не устанавливайте устройство в неустойчивом месте или там, где оно будет подвергаться воздействию вибрации. В противном случае оно может упасть или перевернуться вверх дном, что приведет к травме или повреждению устройства.
- 27 Не устанавливайте устройство в местах, подверженных воздействию прямого солнечного света или чрезвычайно высоких температур (вблизи нагревателей и т. п.). Несоблюдение этого требования может привести к повреждению устройства.
- 28 Не садитесь, не вставляйте на устройство и не ставьте на него другие предметы.
- Несоблюдение этого требования может привести к повреждению устройства.
- 29 Перед началом воспроизведения звука понизьте громкость до минимального уровня.
- Несоблюдение этого требования может привести к изменению температуры окружающей среды. Любое быстрое изменение температуры окружающей среды может привести к конденсации влаги на устройстве и к его поломке. При появлении на устройстве конденсированной влаги оставьте его выключенным до полного высыхания.
- 30 Не используйте устройство в местах, подверженных резким изменениям температуры окружающей среды. Любое быстрое изменение температуры окружающей среды может привести к конденсации влаги на устройстве и к его поломке. При появлении на устройстве конденсированной влаги оставьте его выключенным до полного высыхания.
- 31 Не подключайте никакие кабели при включенном электропитании. Несоблюдение этого требования может привести к повреждению устройства и подключенного оборудования.
- 32 Перед тем, как прикасаться к устройству, снимите со своего тела или одежды статическое электричество. Несоблюдение этого требования может привести к повреждению устройства.
- 33 Правильным образом потяните и подключите кабели. Если неосторожно потянуть за кабели или запнуться о них, то устройство или подключенное оборудование может опрокинуться или упасть, что приведет к травме или его повреждению.
- 34 Перед тем, как начинать подключение внешнего оборудования, внимательно ознакомьтесь со всеми прилагаемыми к нему руководствами по эксплуатации и выполните подключение согласно изложенным в них инструкциям.

Данное устройство не отключается от источника переменного тока до тех пор, пока оно остается подключенным к розетке переменного тока, даже в случае, когда оно выключено. Такое состояние называется режимом ожидания. По своей конструкции устройство в этом состоянии потребляет незначительное количество электроэнергии.

Меры предосторожности при эксплуатации устройства

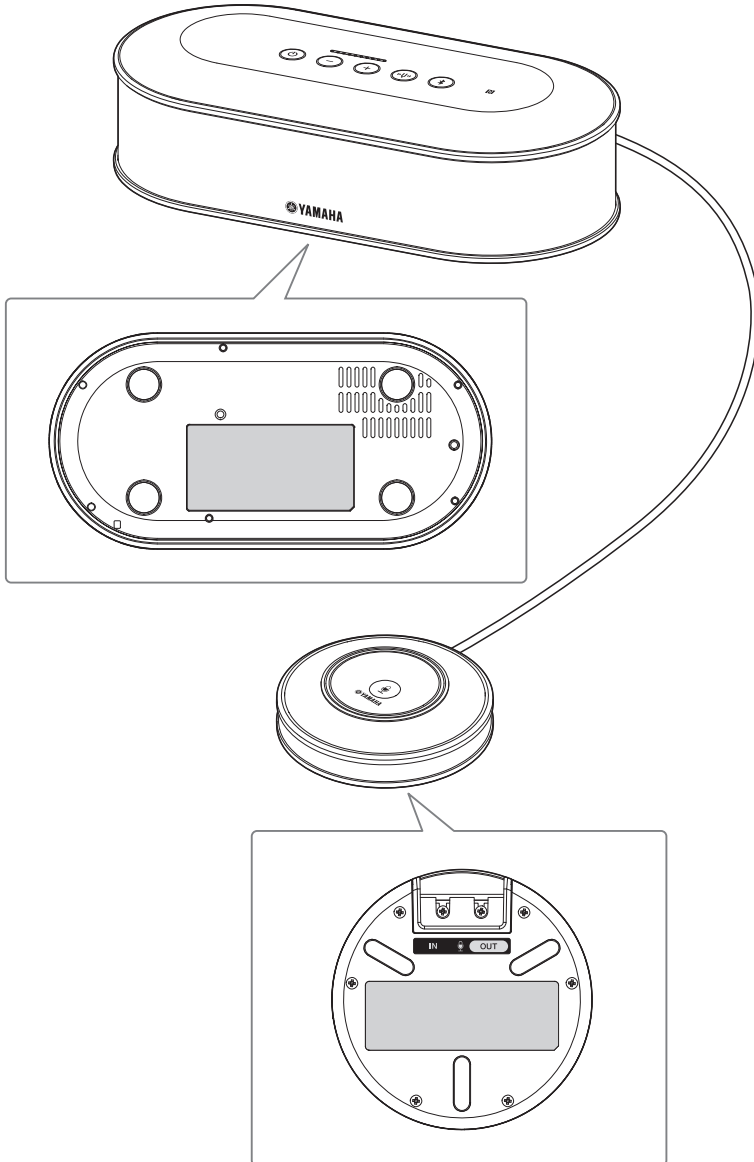
- Данное устройство спроектировано для использования в обычных офисных помещениях и конструктивно не предназначено для применения в любых требующих высокой степени надежности работы областях, ответственных за жизни людей или ценные активы.
- Просим Вас принять во внимание тот факт, что компания Yamaha не несет никакой ответственности за любой ущерб, причиненный в результате неправильного использования или настройки данного устройства.
- В зависимости от условий эксплуатации, данное устройство может являться причиной возникновения помех в телефонной, радио, телевизионной связи и т. п. В таком случае измените место его установки или его положение.
- При передаче устройства в третьи руки, пожалуйста, приложите к нему данное руководство, а также все идущие в комплекте аксессуары.
- При утилизации устройства следуйте предписаниям Вашего органа местного самоуправления.
- Не подсоединяйте генерирующее шум оборудование к той же линии электропитания, к которому подключено данное устройство.

О функции Bluetooth®

- Функция Bluetooth основана на технологии беспроводной связи, использующей не требующую специального лицензирования полосу частот 2,4 ГГц.
- Полоса частот 2,4 ГГц, используемая Bluetooth-совместимыми устройствами, является радиодиапазоном работы разного оборудования. Несмотря на то, что в Bluetooth-совместимых устройствах используются технологии, позволяющие минимизировать влияние другого использующего тот же радиодиапазон оборудования, подобное влияние может уменьшить скорость или расстояние связи, а в некоторых случаях и прервать ее.
- Скорость и расстояние передачи сигнала различаются в зависимости от расстояния между коммуникационными устройствами, наличия препятствий между ними, условий радиоприема и типа оборудования.
- Компания Yamaha не гарантирует беспроводное соединение данного устройства с любыми Bluetooth-совместимыми устройствами.

Места расположения табличек с техническими данными

Таблички с техническими данными расположены на нижних частях Устройства управления и микрофона.



Введение

Благодарим Вас за покупку Yamaha YVC-1000. YVC-1000 представляет собой микрофонную и акустическую систему для унифицированных коммуникаций, выполняющую роль аудио терминала при подключении к оборудованию связи (например, PC или Mac, смартфону или планшету, а также к системе видеоконференцсвязи).

Пожалуйста, внимательно прочитайте данное руководство перед установкой и подключением устройства.

Бережно храните данное руководство в надежном месте для того, чтобы в случае необходимости им всегда можно было воспользоваться.

- Никакая часть данного руководства не может быть скопирована или использована в любой форме без разрешения компании Yamaha.
- Содержание данного руководства относится к самой последней на дату его публикации технической спецификации устройства. Для того, чтобы получить обновленное руководство последней версии, зайдите на следующий веб-сайт и скачайте соответствующий файл.
<https://uc.yamaha.com/resources/support/>
- Компания Yamaha не несет никакой ответственности за любые возможные потери или повреждения данных в результате использования данного устройства. Обратите внимание, что гарантия распространяется только на ремонт данного устройства.

Проверьте содержимое комплекта поставки

- Устройство управления (YVC-CTU1000) x 1
- Микрофон (YVC-MIC1000) x 1
- Кабель электропитания (3 метра) x 1
- USB-кабель (5 метров) x 1
- Микрофонный кабель (5 метров) x 1
- Краткое вводное руководство (данное руководство) x 1

О данном руководстве

■ О сокращениях

В данном руководстве названия устройств и продуктов приводятся в нижеследующем виде.

- Yamaha YVC-1000: данное устройство
- Microsoft® Windows®: Windows
- macOS®: macOS

■ Товарные знаки

- Microsoft и Windows являются зарегистрированными товарными знаками корпорации Microsoft в Соединенных Штатах и других странах.
- Mac и macOS являются зарегистрированными товарными знаками компании Apple Inc.
- Android™ является товарным знаком или зарегистрированным товарным знаком компании Google Inc.
- Bluetooth® является зарегистрированным товарным знаком компании Bluetooth SIG и используется компанией Yamaha в соответствии с лицензионным соглашением.
- Логотип NFC (N-Mark) является товарным знаком или зарегистрированным товарным знаком компании NFC Forum, Inc.

Пожалуйста, помимо данного руководства, прочтите все другие руководства по эксплуатации

Данное руководство содержит только основную информацию.

Для получения более подробной информации об использовании данного устройства, пожалуйста, прочтите следующее:

Руководство пользователя: содержит информацию об использовании данного устройства, в том числе о подробных настройках и полезных функциях.

Пожалуйста, скачайте последнюю версию Руководства пользователя со страницы загрузки на нашем сайте.

Для того, чтобы провести настройку коммуникационного оборудования, обратитесь к прилагаемым к нему руководствам по эксплуатации.

Использование новейших функциональных возможностей

Вы можете загрузить встроенное программное обеспечение со страницы загрузки на нашем сайте, чтобы получить доступ к новейшим функциональным возможностям устройства.

■ Страница загрузки

<https://uc.yamaha.com/resources/support/>

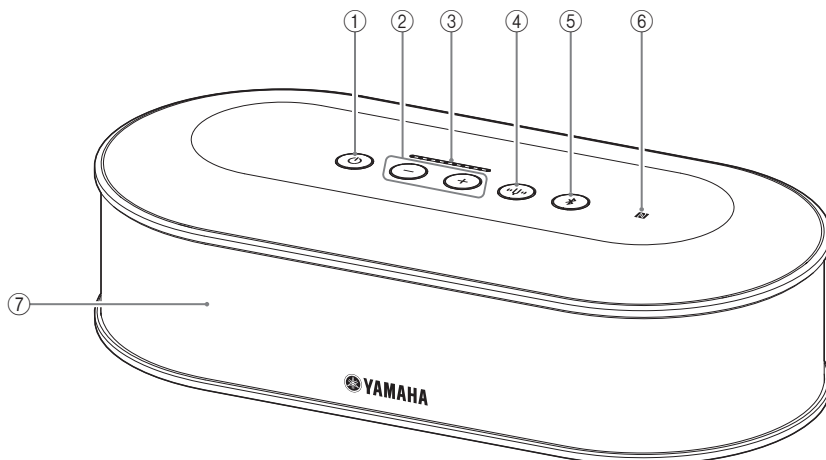
Использование программного обеспечения с открытым исходным кодом

В данном устройстве используется программное обеспечение с открытым исходным кодом.

Содержание лицензии изложено в Руководстве пользователя.

Элементы управления и функции

Устройство управления (YVC-CTU1000)



① Кнопка-индикатор включения

Нажмите, чтобы включить устройство. Нажмите и удерживайте кнопку включения в течение двух или более секунд, чтобы войти в режим ожидания. Она загорается зеленым, если устройство включено, и горит красным в режиме ожидания.

② Кнопки-индикаторы громкости +/-

Нажмите для регулировки громкости динамика. Удерживайте соответствующую кнопку в течение полу-секунды или более, чтобы постоянно увеличивать или уменьшать громкость. Нажмите и удерживайте одновременно кнопки + и - в течение двух и более секунд, чтобы переключить устройство вывода на встроенные или внешние динамики.

③ Индикатор уровня

Обычно обозначает уровень входного голосового сигнала. Он показывает текущий уровень громкости при его регулировке для встроенного или внешнего динамика.

④ Кнопка-индикатор «камертон»

Она загорается или мигает оранжевым при возникновении неполадок. В таком случае нажмите кнопку «камертон», чтобы активировать голосовые подсказки по поводу обнаруженной неполадки.

Если ее нажать и удерживать в течение двух и более секунд, то устройство автоматически проведет замер акустических условий и настройку оптимальных акустических параметров (автоматическую настройку звука).

⑤ Кнопка-индикатор Bluetooth

Нажмите ее для того, чтобы провести сопряжение или соединить устройство с Bluetooth-совместимыми смартфоном или планшетом. Если нажать эту кнопку в состоянии подключения к Bluetooth-совместимому устройству, Bluetooth-подключение будет прервано.

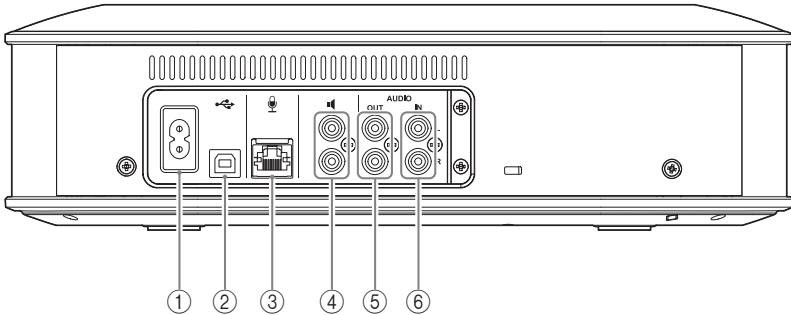
⑥ Логотип NFC (N-Mark)

Поднеся Bluetooth-совместимый смартфон или планшет, оснащенные технологией NFC (Near Field Communication, Коммуникация ближнего поля), к метке N-Mark, можно выполнить их сопряжение или соединение с данным устройством, либо отключить их.

⑦ Встроенный динамик

Воспроизводит входящий голос.

Устройство управления (YVC-CTU1000): Тыльная сторона



① Разъем электропитания

Используется для подключения прилагаемого провода электропитания.

② USB-порт

Используется для подключения устройства к PC или Mac с помощью прилагаемого USB-кабеля.

③ Разъем микрофона

Используется для подключения прилагаемого микрофона с помощью микрофонного кабеля.

④ Разъемы внешних динамиков

Используются для подключения динамиков со встроенным усилителем.

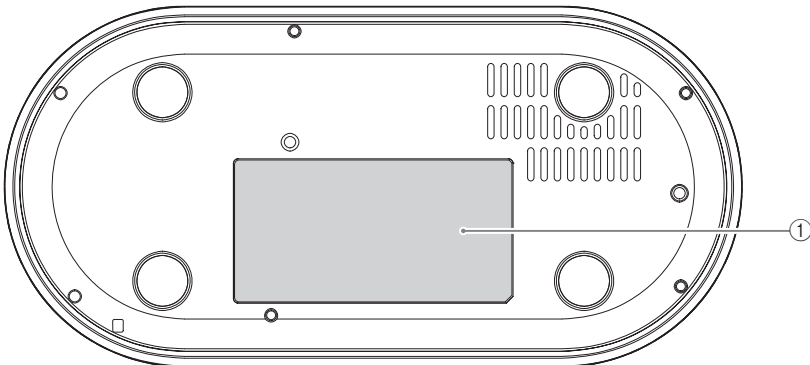
⑤ Разъемы аудиовыхода (AUDIO OUT)

Используется для подключения к разъемам аудиовыхода системы видеоконференцсвязи.

⑥ Разъемы аудиовхода (AUDIO IN)

Используется для подключения к разъемам аудиовхода системы видеоконференцсвязи.

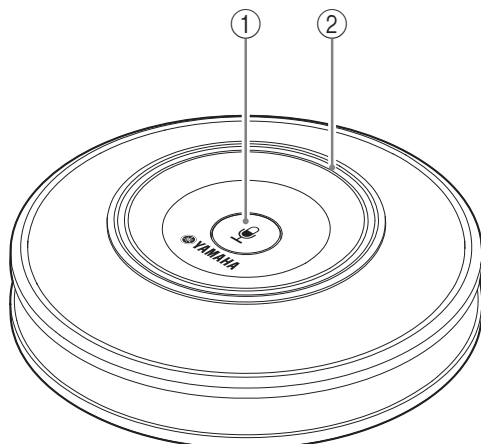
Устройство управления (YVC-CTU1000): Нижняя сторона



① Табличка с техническими данными

Содержит следующую информацию.
 Model No.: Номер модели устройства
 SERIAL LABEL: Серийный номер устройства

Микрофон (YVC-MIC1000)



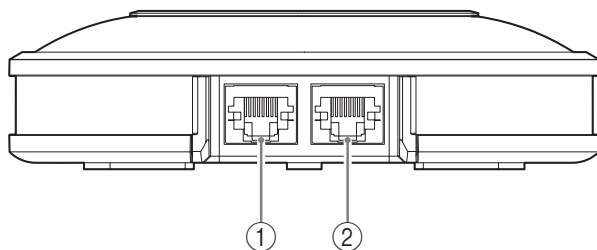
① Кнопка временного отключения микрофона

Нажмите, чтобы временно отключить (выключить звук) микрофон. Для того, чтобы отменить функцию временного выключения звука, нажмите эту кнопку еще раз.

② Индикатор состояния микрофона

Горит зеленым, когда микрофон включен. Мигает красным, когда микрофон временно отключен.

Микрофон (YVC-MIC1000): Боковая сторона



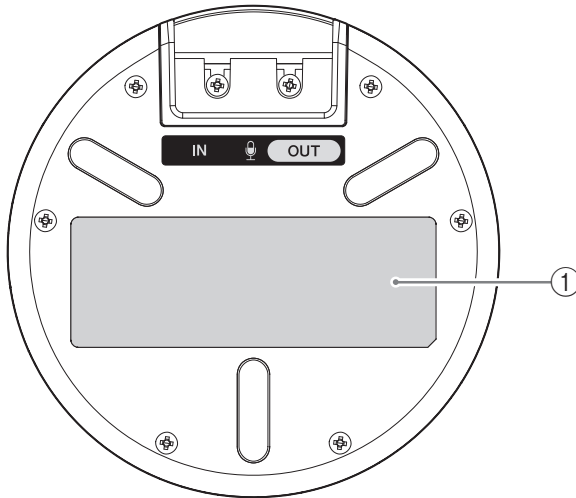
① Входной разъем (IN)

Используется для подключения дополнительного микрофона (YVC-MIC1000EX) с помощью микрофонного кабеля.

② Выходной разъем (OUT)

Используется для подключения Устройства управления с помощью микрофонного кабеля.

Микрофон (YVC-MIC1000): Нижняя сторона



① Табличка с техническими данными

Содержит следующую информацию.

Model No.: Номер модели устройства

SERIAL LABEL: Серийный номер устройства

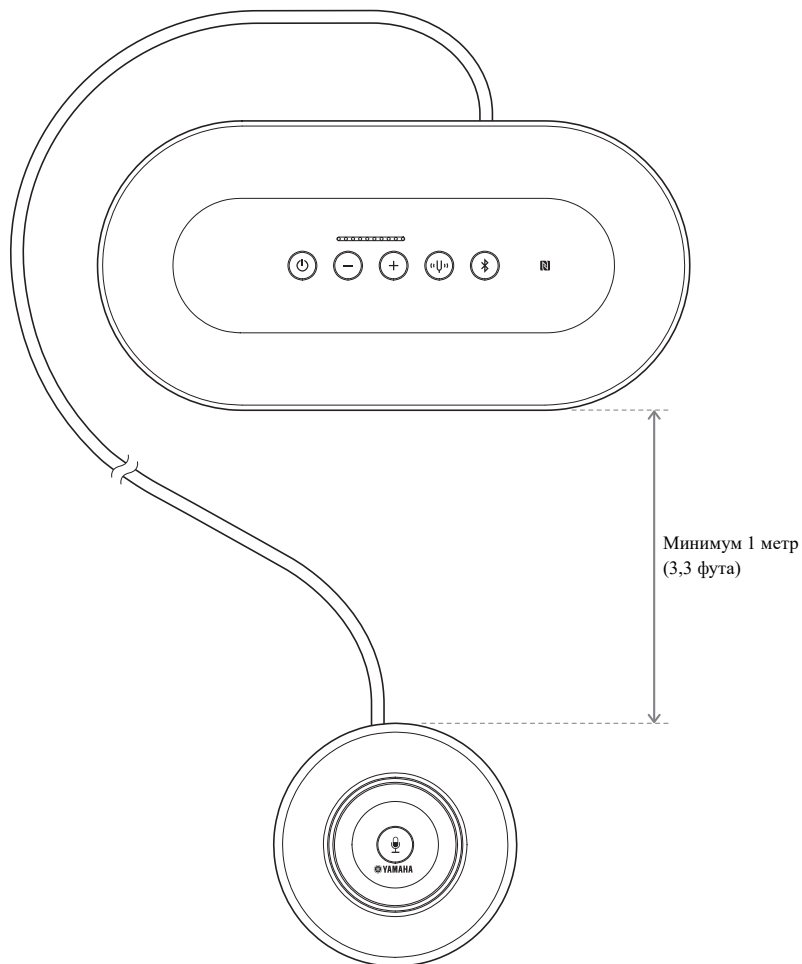
Предэксплуатационная подготовка

Установка

Установите устройство там, где оно будет использоваться.

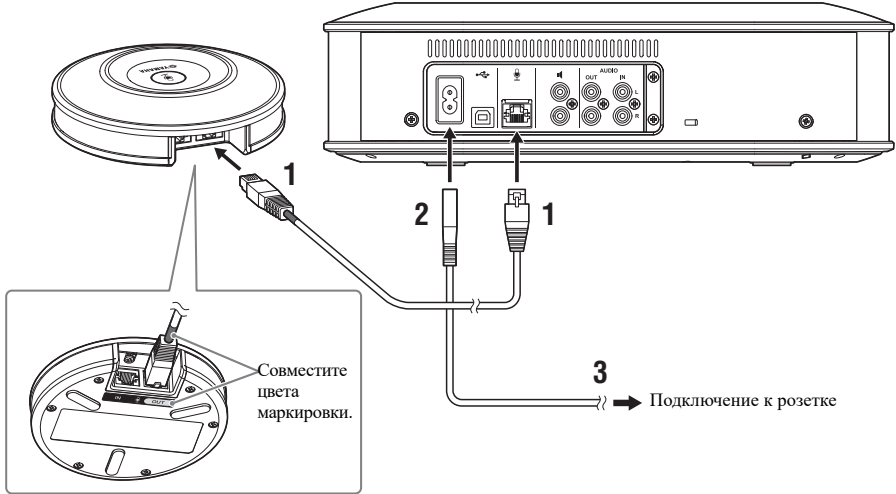
Примечания по вопросу установки

- Установите микрофон не ближе 1 метра (3,3 фута) от Устройства управления.
- Не приближайте микрофон к любым источникам шума.



Подключение микрофонного кабеля и кабеля электропитания

Подключите прилагаемые к устройству микрофонный кабель и кабель электропитания.



Примечания

- При подключении микрофонного кабеля обязательно убедитесь в соответствии цветов маркировки на микрофонном кабеле и выходном разъеме (OUT).
- Обязательно плотно подключите кабель электропитания в разъем электропитания Устройства управления и в розетку.

Подсказка

К устройству может быть подключено до пяти микрофонов, включая прилагаемый в комплекте и дополнительные (YVC-MIC1000EX) микрофоны (подробнее см. Руководство пользователя).

Изменение настроек

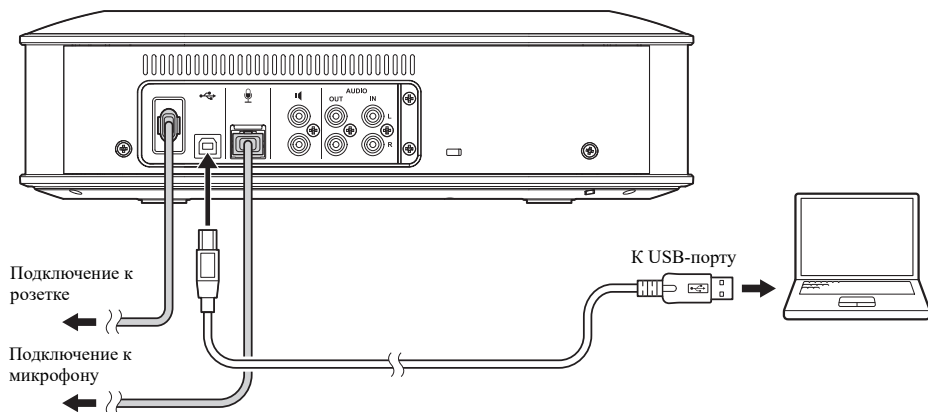
Изменение языка голосовых подсказок

Удерживая нажатой кнопку «камертон» (🔊), несколько раз нажмите кнопку громкости + (+). При каждом нажатии кнопки громкости + (+) происходит переключение на другой язык.

Подробнее см. Руководство пользователя.

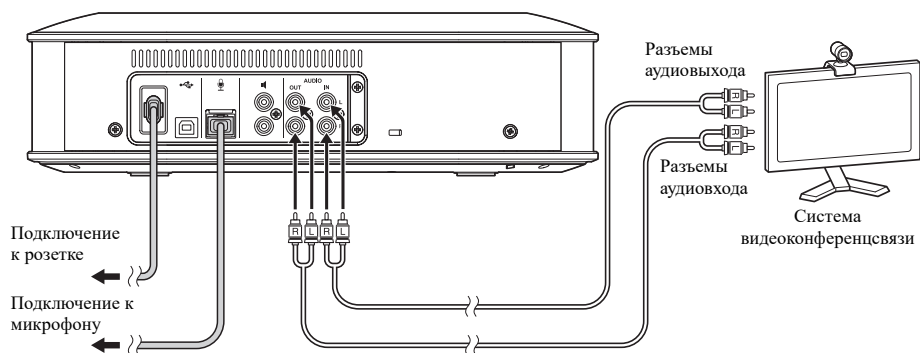
Подключение к оборудованию связи

Подключение к PC или Mac с помощью USB-кабеля



После подключения включите устройство, чтобы проверить, правильно ли PC или Mac определили его. Подробнее см. Руководство пользователя.

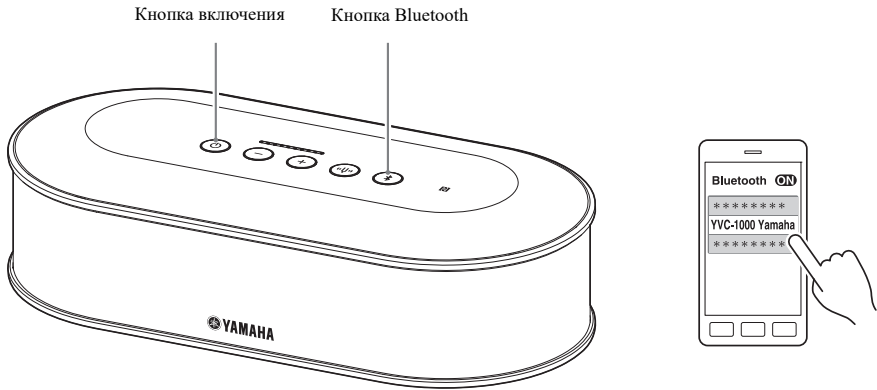
Подключение к системе видеоконференцсвязи с помощью аудиокабелей



После подключения устройства измените настройки системы видеоконференцсвязи таким образом, чтобы устройство использовалось в качестве микрофона и динамика.

Подробнее см. Руководство пользователя.

Подключение к смартфону или планшету через Bluetooth



■ Сопряжение

- 1 Нажмите кнопку включения, чтобы включить устройство.
- 2 Нажмите кнопку Bluetooth.
Кнопка Bluetooth начнет мигать синим.
- 3 Нажмите и удерживайте кнопку Bluetooth в течение двух или более секунд.
Кнопка Bluetooth быстро мигает синим, указывая на то, что процедура сопряжения может быть выполнена.
- 4 Выполните процедуру сопряжения на смартфоне или планшете.

■ Подключение к сопряженному смартфону или планшету через Bluetooth

- 1 Нажмите кнопку включения, чтобы включить устройство.
- 2 Нажмите кнопку Bluetooth.
Кнопка Bluetooth мигает синим, указывая на то, что устройство может быть подключено через Bluetooth.
- 3 Выполните процедуру Bluetooth-подключения на смартфоне или планшете.
После завершения соединения кнопка Bluetooth загорится синим.

Подробнее см. Руководство пользователя.

Техническая спецификация

Общие характеристики

| | |
|--|---|
| Интерфейс: | Устройство управления: USB 2.0 High Speed, Bluetooth, NFC (Near Field Communication, Коммуникация ближнего поля), разъемы аудиовхода (стереовилка RCA), разъемы аудиовыхода (стереовилка RCA), 2 разъема внешних динамиков (вилка RCA), разъем электропитания, разъем микрофона Микрофон: Входные и выходные разъемы |
| Потребляемая мощность (максимальная): | 20 Вт (один подключенный микрофон), 35 Вт (пять подключенных микрофонов) |
| Условия эксплуатации: | Температура: от 0 до 40 °C (от 32 до 104 °F) Влажность: от 20 до 85% (без конденсации) |
| Условия хранения: | Температура: от -20 до +50°C (от -4 до 122°F) Влажность: от 10 до 90% (без конденсации) |
| Размеры: | Устройство управления (Ш x В x Г): 332 x 95 x 162 миллиметра (13,1 x 3,74 x 6,38 дюйма) Микрофон (Ш x В x Г): 136 x 36 x 136 миллиметров (5,35 x 1,42 x 5,35 дюйма) |
| Вес: | Устройство управления: 1,8 килограмма (4,0 фунта) Микрофон: 0,4 килограмма (0,9 фунта) |
| Источник питания: | Модели для США и Канады: переменный ток 120 В (60 Гц) Модель для Японии: переменный ток 100 В (50/60 Гц) Модель для Китая: переменный ток 220 В (50 Гц) Модель для Кореи: переменный ток 110/220 В (60 Гц) Модели для Великобритании, Европейских стран и России: переменный ток 220-240 В (50 Гц) |
| Операционная среда PC/Mac: | ОС: Windows (*1), macOS (*1) USB: USB 2.0 и выше |
| Bluetooth: | Версия спецификации Bluetooth: 2.1 + EDR Поддерживаемые профили: HFP (1.6), A2DP Поддерживаемые кодеки: SBC, mSBC, CVSD Выходная мощность беспроводного устройства: Class 2 Максимальная дистанция соединения: 10 метров Радиочастоты (рабочие частоты): от 2402 МГц до 2480 МГц Максимальная выходная мощность (ЭИИМ): 4,0 дБм (2,5 мВт) |
| NFC: | Совместимые устройства: NFC-совместимые устройства на Android Радиочастоты (рабочие частоты): 13,56 МГц |
| Голосовая подсказка: | Английский, японский, китайский, корейский, французский, испанский, немецкий |
| Аксессуары: | Кабель электропитания (3 метра), USB-кабель (5 метров), микрофонный кабель (5 метров), Краткое вводное руководство |
| Прочее: | Обновление встроенного программного обеспечения (с помощью компьютера через USB-подключение) |

(*1) Для поддерживаемых версий перейдите на следующий веб-сайт:
<https://uc.yamaha.com/>

Аудио

| | |
|----------------------------|---|
| Блок микрофонов: | Однонаправленный x 3 |
| Блок динамика: | Широкополосный x 1 |
| Обработка сигналов: | Адаптивный подавитель эха, Подавление шума, Автоматическое слежение, Автоматическая регулировка усиления, Автоматический goom (комната) эквалайзер, Подавление реверберации, Автоматическая настройка звука |

| | |
|--|--|
| EN | SIMPLIFIED EU DECLARATION OF CONFORMITY |
| <p>Hereby, Yamaha Music Europe GmbH declares that the radio equipment type [YVC-1000] is in compliance with Directive 2014/53/EU. The full text of the EU declaration of conformity is available at the following internet address: https://uc.yamaha.com/products/yvc-1000/</p> | |
| FR | DECLARATION UE DE CONFORMITE SIMPLIFIEE |
| <p>Le soussigné, Yamaha Music Europe GmbH, déclare que l'équipement radioélectrique du type [YVC-1000] est conforme à la directive 2014/53/UE. Le texte complet de la déclaration UE de conformité est disponible à l'adresse internet suivante: https://uc.yamaha.com/products/yvc-1000/</p> | |
| DE | VEREINFACHTE EU-KONFORMITÄTSERKLÄRUNG |
| <p>Hiermit erklärt Yamaha Music Europe GmbH, dass der Funkanlagentyp [YVC-1000] der Richtlinie 2014/53/EU entspricht. Der vollständige Text der EU-Konformitätserklärung ist unter der folgenden Internetadresse verfügbar: https://uc.yamaha.com/products/yvc-1000/</p> | |
| SV | FÖRENKLAD EU-FÖRSÄKRAN OM ÖVERENSSTÄMMELSE |
| <p>Härmed försäkrar Yamaha Music Europe GmbH att denna typ av radioutrustning [YVC-1000] överensstämmer med direktiv 2014/53/EU. Den fullständiga texten till EU-försäkran om överensstämmelse finns på följande webbadress: https://uc.yamaha.com/products/yvc-1000/</p> | |
| IT | DICHIARAZIONE DI CONFORMITÀ UE SEMPLIFICATA |
| <p>Il fabbricante, Yamaha Music Europe GmbH, dichiara che il tipo di apparecchiatura radio [YVC-1000] è conforme alla direttiva 2014/53/UE. Il testo completo della dichiarazione di conformità UE è disponibile al seguente indirizzo Internet: https://uc.yamaha.com/products/yvc-1000/</p> | |
| ES | DECLARACIÓN UE DE CONFORMIDAD SIMPLIFICADA |
| <p>Por la presente, Yamaha Music Europe GmbH declara que el tipo de equipo radioeléctrico [YVC-1000] es conforme con la Directiva 2014/53/UE. El texto completo de la declaración UE de conformidad está disponible en la dirección Internet siguiente: https://uc.yamaha.com/products/yvc-1000/</p> | |
| PT | DECLARAÇÃO UE DE CONFORMIDADE SIMPLIFICADA |
| <p>O(a) abaixo assinado(a) Yamaha Music Europe GmbH declara que o presente tipo de equipamento de rádio [YVC-1000] está em conformidade com a Diretiva 2014/53/UE. O texto integral da declaração de conformidade está disponível no seguinte endereço de Internet: https://uc.yamaha.com/products/yvc-1000/</p> | |
| NL | VEREENVOUDIGDE EU-CONFORMITEITSVERKLARING |
| <p>Hierbij verklaar ik, Yamaha Music Europe GmbH, dat het type radioapparatuur [YVC-1000] conform is met Richtlijn 2014/53/EU. De volledige tekst van de EU-conformiteitsverklaring kan worden geraadpleegd op het volgende internetadres: https://uc.yamaha.com/products/yvc-1000/</p> | |
| BG | ОПРОСТЕНА ЕС ДЕКЛАРАЦИЯ ЗА СЪОТВЕТСТВИЕ |
| <p>С настоящото Yamaha Music Europe GmbH декларира, че този тип радиосъоръжение [YVC-1000] е в съответствие с Директива 2014/53/ЕС. Цялостният текст на ЕС декларацията за съответствие може да се намери на следния интернет адрес: https://uc.yamaha.com/products/yvc-1000/</p> | |
| CS | ZJEDNODUŠENÉ EU PROHLÁŠENÍ O SHODĚ |
| <p>Tímto Yamaha Music Europe GmbH prohlašuje, že typ rádiového zařízení [YVC-1000] je v souladu se směrnicí 2014/53/EU. Úplné znění EU prohlášení o shodě je k dispozici na této internetové adrese: https://uc.yamaha.com/products/yvc-1000/</p> | |
| DA | FORENKLET EU-OVERENSSTEMMELSESERKLÆRING |
| <p>Hermed erklærer Yamaha Music Europe GmbH, at radioudstyrstypen [YVC-1000] er i overensstemmelse med direktiv 2014/53/EU. EU-overensstemmelseserklæringens fulde tekst kan findes på følgende internetadresse: https://uc.yamaha.com/products/yvc-1000/</p> | |

| | |
|--|---|
| ET | LIHTSUSTATUD ELI VASTAVUSDEKLARATSIOON |
| <p>Käesolevaga deklareerib Yamaha Music Europe GmbH, et käesolev raadioseadme tüüp [YVC-1000] vastab direktiivi 2014/53/EL nõuetele. ELi vastavusdeklaratsiooni täielik tekst on kättesaadav järgmisel internetiaadressil: https://uc.yamaha.com/products/yvc-1000/</p> | |
| EL | ΑΠΛΟΥΣΤΕΥΜΕΝΗ ΔΗΛΩΣΗ ΣΥΜΜΟΡΦΩΣΗΣ ΕΕ |
| <p>Με την παρούσα ο/η Yamaha Music Europe GmbH, δηλώνει ότι ο ραδιοεξοπλισμός [YVC-1000] πληροί την οδηγία 2014/53/ΕΕ. Το πλήρες κείμενο της δήλωσης συμμόρφωσης ΕΕ διατίθεται στην ακόλουθη ιστοσελίδα στο διαδίκτυο: https://uc.yamaha.com/products/yvc-1000/</p> | |
| HR | POJEDNOSTAVLJENA EU IZJAVA O SUKLADNOSTI |
| <p>Yamaha Music Europe GmbH ovime izjavljuje da je radijska oprema tipa [YVC-1000] u skladu s Direktivom 2014/53/EU. Cjeloviti tekst EU izjave o sukladnosti dostupan je na sljedećoj internetskoj adresi: https://uc.yamaha.com/products/yvc-1000/</p> | |
| LV | VIENKĀRŠOTA ES ATBILSTĪBAS DEKLARĀCIJA |
| <p>Ar šo Yamaha Music Europe GmbH deklarē, ka radioiekārta [YVC-1000] atbilst Direktīvai 2014/53/ES. Pilns ES atbilstības deklarācijas teksts ir pieejams šādā interneta vietnē: https://uc.yamaha.com/products/yvc-1000/</p> | |
| LT | SUPAPRASTINTA ES ATITIKTIES DEKLARACIJA |
| <p>Aš, Yamaha Music Europe GmbH, patvirtinu, kad radijo įrenginių tipas [YVC-1000] atitinka Direktyvą 2014/53/ES. Visas ES atitikties deklaracijos tekstas prieinamas šiuo interneto adresu: https://uc.yamaha.com/products/yvc-1000/</p> | |
| HU | EGYSZERŰSÍTETT EU-MEGFELELŐSÉGI NYILATKOZAT |
| <p>Yamaha Music Europe GmbH igazolja, hogy a [YVC-1000] típusú rádióberendezés megfelel a 2014/53/EU irányelvnek. Az EU-megfelelőségi nyilatkozat teljes szövege elérhető a következő internetes címen: https://uc.yamaha.com/products/yvc-1000/</p> | |
| PL | UPROSZCZONA DEKLARACJA ZGODNOŚCI UE |
| <p>Yamaha Music Europe GmbH niniejszym oświadcza, że typ urządzenia radiowego [YVC-1000] jest zgodny z dyrektywą 2014/53/UE. Pełny tekst deklaracji zgodności UE jest dostępny pod następującym adresem internetowym: https://uc.yamaha.com/products/yvc-1000/</p> | |
| RO | DECLARAȚIA UE DE CONFORMITATE SIMPLIFICATĂ |
| <p>Prin prezenta, Yamaha Music Europe GmbH declară că tipul de echipamente radio [YVC-1000] este în conformitate cu Directiva 2014/53/UE. Textul integral al declarației UE de conformitate este disponibil la următoarea adresă internet: https://uc.yamaha.com/products/yvc-1000/</p> | |
| SK | ZJEDNODUŠENÉ EÚ VYHLÁSENIE O ZHODE |
| <p>Yamaha Music Europe GmbH týmto vyhlasuje, že rádiové zariadenie typu [YVC-1000] je v súlade so smernicou 2014/53/EÚ. Úplné EÚ vyhlásenie o zhode je k dispozícii na tejto internetovej adrese: https://uc.yamaha.com/products/yvc-1000/</p> | |
| SL | POENOSTAVLJENA IZJAVA EU O SKLADNOSTI |
| <p>Yamaha Music Europe GmbH potrjuje, da je tip radijske opreme [YVC-1000] skladen z Direktivo 2014/53/EU. Celotno besedilo izjave EU o skladnosti je na voljo na naslednjem spletnem naslovu: https://uc.yamaha.com/products/yvc-1000/</p> | |
| FI | YKSINKERTAISTETTU EU-VAATIMUSTENMUKAISUUSVAKUUTUS |
| <p>Yamaha Music Europe GmbH vakuuttaa, että radiolaitetyypin [YVC-1000] on direktiivin 2014/53/EU mukainen. EU-vaatimustenmukaisuusvakuutuksen täysimittainen teksti on saatavilla seuraavassa internetosoitteessa: https://uc.yamaha.com/products/yvc-1000/</p> | |
| TR | BASİTLEŞTİRİLMİŞ AVRUPA BİRLİĞİ UYGUNLUK BİLDİRİMİ |
| <p>İşbu belge ile, Yamaha Music Europe GmbH, radyo cihaz tipinin [YVC-1000], Direktif 2014/53/ AB'ye uygunluğunu beyan eder. AB uyumu beyanının tam metni aşağıdaki internet adresinden edinilebilir: https://uc.yamaha.com/products/yvc-1000/</p> | |

Important Notice: Guarantee Information for customers in European Economic Area (EEA) and Switzerland

| | |
|--|-------------------|
| Important Notice: Guarantee Information for customers in EEA* and Switzerland | English |
| For detailed guarantee information about this Yamaha product, and Pan-EEA* and Switzerland warranty service, please either visit the website address below (Printable file is available at the website) or contact the Yamaha representative office for your country. * EEA: European Economic Area | |
| Wichtiger Hinweis: Garantie-Information für Kunden in der EWR* und der Schweiz | Deutsch |
| Für nähere Garantie-Information über dieses Produkt von Yamaha, sowie über den Pan-EWR*- und Schweizer Garantieservice, besuchen Sie bitte entweder die folgend angegebene Internetadresse (eine druckfähige Version befindet sich auch auf der Webseite), oder wenden Sie sich an den für Ihr Land zuständigen Yamaha-Vertrieb. *EWR: Europäischer Wirtschaftsraum | |
| Remarque importante: informations de garantie pour les clients de l'EEE et la Suisse | Français |
| Pour des informations plus détaillées sur la garantie de ce produit Yamaha et sur le service de garantie applicable dans l'ensemble de l'EEE ainsi qu'en Suisse, consultez notre site Web à l'adresse ci-dessous (le fichier imprimable est disponible sur le site Web) ou contactez directement Yamaha dans votre pays de résidence. * EEE : Espace Economique Européen | |
| Belangrijke mededeling: Garantie-informatie voor klanten in de EER* en Zwitserland | Nederlands |
| Voor gedetailleerde garantie-informatie over dit Yamaha-product en de garantieservice in heel de EER* en Zwitserland, gaat u naar de onderstaande website (u vindt een afdrukbaar bestand op de website) of neemt u contact op met Yamaha-vertegenwoordiger in uw land. * EER: Europese Economische Ruimte | |
| Aviso importante: información sobre la garantía para los clientes del EEE* y Suiza | Español |
| Para una información detallada sobre este producto Yamaha y sobre el soporte de garantía en la zona EEE* y Suiza, visite la dirección web que se incluye más abajo (la versión del archivo para imprimir está disponible en el sitio web) o póngase en contacto con el representante de Yamaha en su país. * EEE: Espacio Económico Europeo | |
| Avviso importante: informazioni sulla garanzia per i clienti residenti nell'EEA* e in Svizzera | Italiano |
| Per informazioni dettagliate sulla garanzia relativa a questo prodotto Yamaha e l'assistenza in garanzia nei paesi EEA* e in Svizzera, potete consultare il sito Web all'indirizzo riportato di seguito (è disponibile il file in formato stampabile sul sito) oppure contattare l'ufficio di rappresentanza locale della Yamaha. * EEA: Area Economica Europea | |
| Aviso importante: informações sobre as garantias para clientes da AEE* e da Suíça | Português |
| Para obter uma informação pormenorizada sobre este produto da Yamaha e sobre o serviço de garantia na AEE* e na Suíça, visite o site a seguir (o arquivo para impressão está disponível no site) ou entre em contato com o escritório de representação da Yamaha no seu país. * AEE: Área Económica Europeia | |
| Σημαντική σημείωση: Πληροφορίες εγγύησης για τους πελάτες στον EOX* και Ελλάδα | Ελληνικά |
| Για λεπτομερείς πληροφορίες εγγύησης σχετικά με το παρόν προϊόν της Yamaha και την κάλυψη εγγύησης σε όλες τις χώρες του EOX και την Ελλάδα, επισκεφτείτε την παρακάτω ιστοσελίδα (Εκτυπώσιμη μορφή είναι διαθέσιμη στην ιστοσελίδα) ή απευθυνθείτε στην αντιπροσωπεία της Yamaha στη χώρα σας. * EOX: Ευρωπαϊκός Οικονομικός Χώρος | |
| Viktigt: Garantiinformation för kunder i EES-området* och Schweiz | Svenska |
| För detaljerad information om denna Yamahaprodukt samt garantiservice i hela EES-området* och Schweiz kan du antingen besöka nedanstående webbadress (en utskriftsvänlig fil finns på webbplatsen) eller kontakta Yamahas officiella representant i ditt land. * EES: Europeiska Ekonomiska Samarbetsområdet | |
| Viktig merknad: Garantiinformasjon for kunder i EØS* og Sveits | Norsk |
| Detaljert garantiinformasjon om dette Yamaha-produktet og garantiservice for hele EØS-området* og Sveits kan fås enten ved å besøke nettstedene nedenfor (utskriftsversjon finnes på nettsiden) eller kontakte Yamaha-kontoret i landet der du bor. *EØS: Det europeiske økonomiske samarbeidsområdet | |
| Viktig opplysning: Garantioplysninger til kunder i EØO* og Schweiz | Dansk |
| De kan finde detaljerede garantioplysninger om dette Yamaha-produkt og den fælles garantiserviceordning for EØO* (og Schweiz) ved at besøge det websted, der er angivet nedenfor (der findes en fil, som kan udskrives, på webstedet), eller ved at kontakte Yamaha nationale repræsentationskontor i det land, hvor De bor. * EØO: Det Europæiske Økonomiske Område | |

<https://europe.yamaha.com/warranty/>

| | |
|--|------------------------------|
| <p>Tärkeä ilmoitus: Takuutiedot Euroopan talousalueen (ETA)* ja Sveitsin asiakkaille</p> <p>Tämän Yamaha-tuotteen sekä ETA-alueen ja Sveitsin takuuta koskevat yksityiskohtaiset tiedot saatte alla olevasta nettiosoitteesta. (Tulostettava tiedosto saatavissa sivustolla.) Voitte myös ottaa yhteyttä paikalliseen Yamaha-edustajaan. *ETA: Euroopan talousalue</p> | <p>Suomi</p> |
| <p>Ważne: Warunki gwarancyjne obowiązujące w EOG* i Szwajcarii</p> <p>Aby dowiedzieć się więcej na temat warunków gwarancyjnych tego produktu firmy Yamaha i serwisu gwarancyjnego w całym EOG* i Szwajcarii, należy odwiedzić wskazaną poniżej stronę internetową (Plik gotowy do wydruku znajduje się na stronie internetowej) lub skontaktować się z przedstawicielstwem firmy Yamaha w swoim kraju. * EOG — Europejski Obszar Gospodarczy</p> | <p>Polski</p> |
| <p>Důležité oznámení: Záruční informace pro zákazníky v EHS* a ve Švýcarsku</p> <p>Podrobné záruční informace o tomto produktu Yamaha a záručním servisu v celém EHS* a ve Švýcarsku naleznete na níže uvedené webové adrese (soubor k tisku je dostupný na webových stránkách) nebo se můžete obrátit na zastoupení firmy Yamaha ve své zemi. * EHS: Evropský hospodářský prostor</p> | <p>Česky</p> |
| <p>Fontos figyelemzetés: Garancia-információk az EGT* területén és Svájcban élő vásárlók számára</p> <p>A jelen Yamaha termékre vonatkozó részletes garancia-információk, valamint az EGT*-re és Svájcra kiterjedő garanciális szolgáltatás tekintetében keresse fel webhelyünket az alábbi címen (a webhelyen nyomtatható fájl is található), vagy pedig lépjen kapcsolatba az országában működő Yamaha képviselői irodával. * EGT: Európai Gazdasági Térség</p> | <p>Magyar</p> |
| <p>Oluline märkus: Garantiteave Euroopa Majanduspiirkonna (EMP)* ja Šveitsi klientidele</p> <p>Täpsema teabe saamiseks selle Yamaha toote garantii ning kogu Euroopa Majanduspiirkonna ja Šveitsi garantiiteeninduse kohta, külastage palun veebisaiti alljärgneval aadressil (sel saidil on saadaval printitav fail) või pöörduge Teie regiooni Yamaha esinduse poole. * EMP: Euroopa Majanduspiirkond</p> | <p>Eesti keel</p> |
| <p>Svarīgs paziņojums: garantijas informācija klientiem EEZ* un Šveicē</p> <p>Lai saņemtu detalizētu garantijas informāciju par šo Yamaha produktu, kā arī garantijas apkalpošanu EEZ* un Šveicē, lūdzu, apmeklējiet zemāk norādīto tīmekļa vietnes adresi (tīmekļa vietnē ir pieejams drukājams fails) vai sazinieties ar jūsu valsti apkalpojošo Yamaha pārstāvniecību. * EEZ: Eiropas Ekonomikas zona</p> | <p>Latviešu</p> |
| <p>Dėmesio: informacija dėl garantijos pirkėjams EEE* ir Šveicarijoje</p> <p>Jei reikia išsamios informacijos apie šį „Yamaha“ produktą ir jo techninę priežiūrą visoje EEE* ir Šveicarijoje, apsilankykite mūsų svetainėje toliau nurodytu adresu (svetainėje yra spausdintinas failas) arba kreipkitės į „Yamaha“ atstovybę savo šaliai. *EEE – Europos ekonominė erdvė</p> | <p>Lietuvių kalba</p> |
| <p>Dôležité upozornenie: Informácie o záruke pre zákazníkov v EHP* a Švajčiarsku</p> <p>Podrobné informácie o záruke týkajúce sa tohto produktu od spoločnosti Yamaha a garančnom servise v EHP* a Švajčiarsku nájdete na webovej stránke uvedenej nižšie (na webovej stránke je k dispozícii súbor na tlač) alebo sa obráťte na zástupcu spoločnosti Yamaha vo svojej krajine. * EHP: Európsky hospodársky priestor</p> | <p>Slovenčina</p> |
| <p>Pomembno obvestilo: Informacije o garanciji za kupce v EGP* in Švici</p> <p>Za podrobnejše informacije o garanciji za ta Yamahin izdelek ter garancijskem servisu v celotnem EGP in Švici, obiščite spletno mesto, ki je navedeno spodaj (natisljiva datoteka je na voljo na tem spletnem mestu), ali se obrnite na Yamahinega predstavnika v svoji državi. * EGP: Evropski gospodarski prostor</p> | <p>Slovenščina</p> |
| <p>Важно съобщение: Информация за гаранцията за клиенти в ЕИП* и Швейцария</p> <p>За подробна информация за гаранцията за този продукт на Yamaha и гаранционното обслужване в паневропейската зона на ЕИП* и Швейцария или посетете посочения по-долу уеб сайт (на уеб сайта има файл за печат), или се свържете с представителния офис на Yamaha във вашата страна. * ЕИП: Европейско икономическо пространство</p> | <p>Български език</p> |
| <p>Notificare importantă: Informații despre garanție pentru clienții din SEE* și Elveția</p> <p>Pentru informații detaliate privind acest produs Yamaha și serviciul de garanție Pan-SEE* și Elveția, vizitați site-ul la adresa de mai jos (fișierul imprimabil este disponibil pe site) sau contactați biroul reprezentanței Yamaha din țara dumneavoastră. * SEE: Spațiul Economic European</p> | <p>Limba română</p> |

<https://europe.yamaha.com/warranty/>



厂名：雅马哈电子（苏州）有限公司
厂址：中国江苏省苏州新区鹿山路 18号

YAMAHA CORPORATION

Manual Development Group
© 2014 Yamaha Corporation
Published 04/2021
2021年4月 发行
ABES-I0

VFF4530